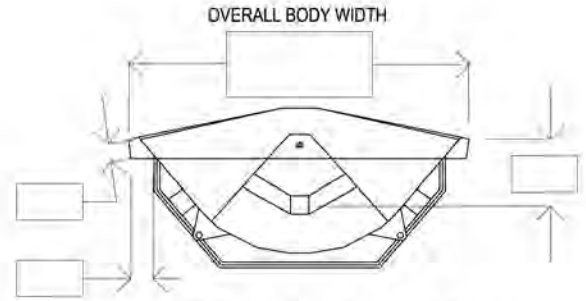
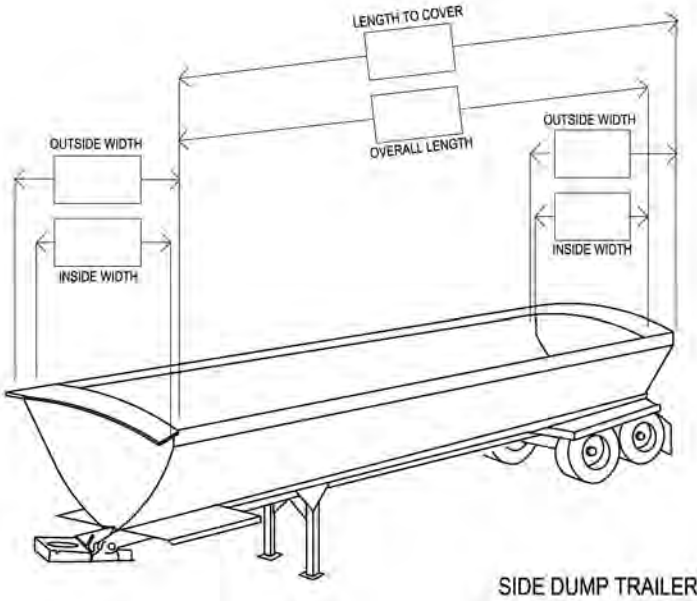


ORDERING FORM #7 SIDE DUMP SYSTEM

Tarps System and Tarps Replacement Tarps Only

STEP 1: Trailer Details and Measurements:



REAR SIDE DUMP TRAILER

Trailer Make: _____

Trailer Model: _____

Trailer Year: _____

STEP 2: System Options:

Superwinch Motor Upgrade	15' Coiled Wire	Trailer Plug Set
--------------------------	-----------------	------------------

STEP 3: Tarps Options:

Mesh: <input type="checkbox"/> Black Mesh	Asphalt: <input type="checkbox"/> 18oz Black Vinyl
	<input type="checkbox"/> 14oz Black Vinyl

STEP 4: Contact Info:

For Quote

To Order

Name: _____

PO#: _____ Phone: _____

Company: _____

Email: _____

Bill To Street: _____

Ship to Street: _____

City _____ State _____ Zip _____

City _____ State _____ Zip _____

Terms: _____

Approved By: _____

Card #: _____ Exp: _____

Purchasers Signature: _____

Name on Card: _____