

CORRECT PHYSICAL MEASUREMENTS ARE ESSENTIAL FOR PROPER TARP FIT. PROVIDE ALL REQUESTED INFORMATION OR YOUR ORDER MAY BE DELAYED. DO NOT USE UNIVERSAL BOX SIZES. ALWAYS USE ACTUAL MEASUREMENTS.

NAME: _____
 COMPANY: _____
 ADDRESS: _____
 CITY: _____ STATE: _____ ZIP: _____
 PHONE: _____ FAX: _____
 PO#: _____
 BOX/TRAILER MAKE: _____

FOR QUOTE TO ORDER

OUTSIDE TRAILER DIMENSIONS

See figure 1

- A. _____ TAPERED LOWER LENGTH
 B. _____ TAPERED UPPER LENGTH

See figure 2

- C. _____ LENGTH TO COVER
 D. _____ TRAILER WIDTH

WIDTH MEASUREMENT:

- FRONT OF TRAILER
 CENTER OF TRAILER
 REAR OF TRAILER

- E. _____ TOP RAIL WIDTH
 F. _____ BOX HEIGHT

INSIDE TRAILER DIMENSIONS

- G. _____ TRAILER WIDTH

CORNER SPECS

See figure 3

- SQUARE
 DIAGONAL
 RADIUS

- H. _____ FLAT ACROSS DIAGONAL
 J. _____ FLAT ACROSS FRONT
 K. _____ DIAGONAL DEPTH
 M. _____ OUTSIDE CORNER RADIUS

FIGURE 1

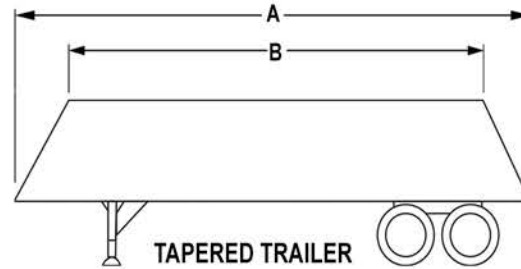


FIGURE 2

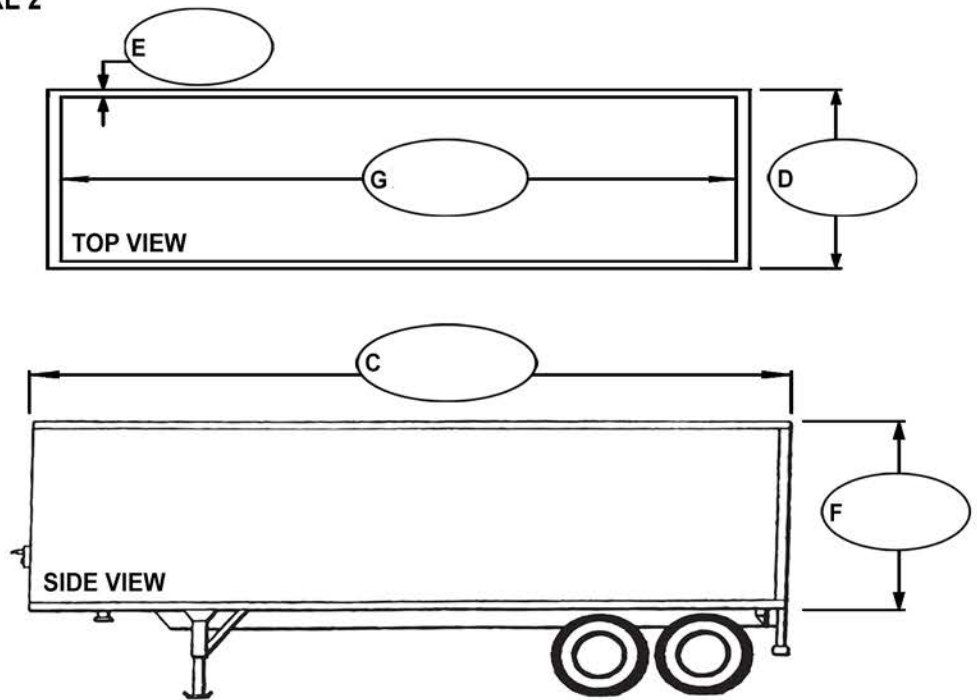
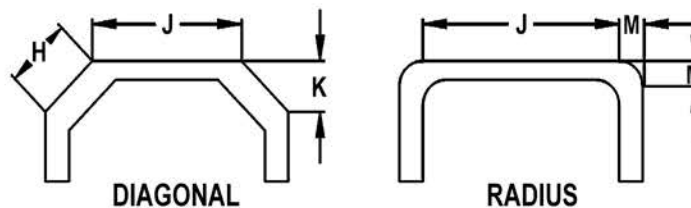


FIGURE 3



Customer Signature: _____