

FOR QUOTE TO ORDER

STEP 1: Trailer Details and Measurements

Trailer Measurements:

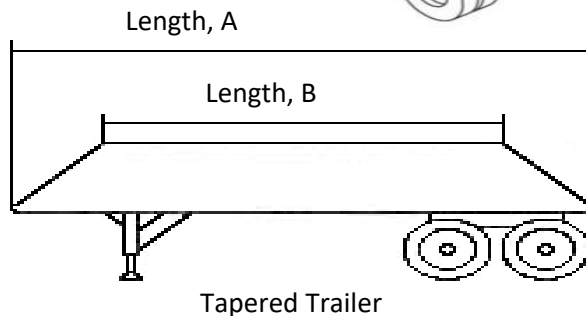
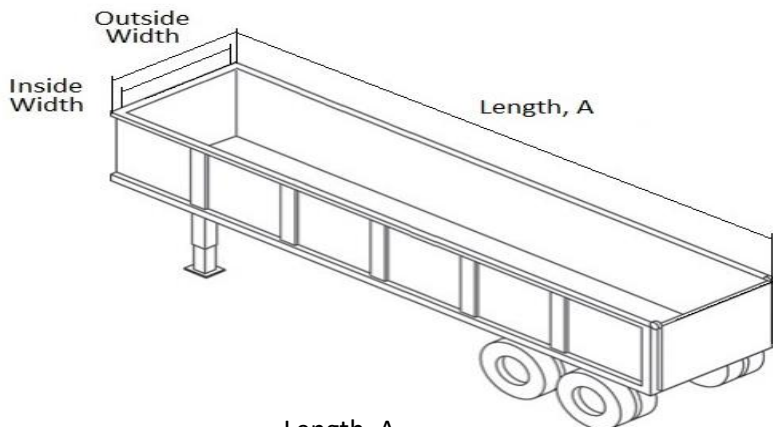
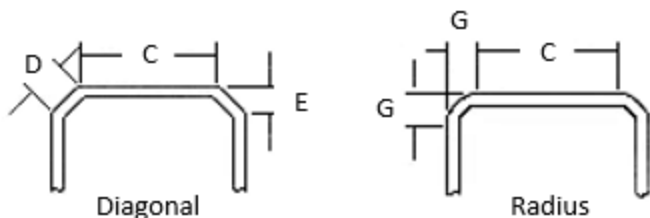
Length, A: _____ (in)
 Length, B: _____ (in)
 Outside Width: _____ (in)
 Inside Width: _____ (in)

Corner Configuration:

___ Square ___ Diagonal ___ Radius

Corner Dimensions:

C Flat Across Front _____ (in)
 D Flat Across Diagonal _____ (in)
 E Diagonal Depth _____ (in)
 G Outside Corner Radius _____ (in)



STEP 2: System Options

Tarp Material:

___ Black Mesh ___ 18oz Black Vinyl
 ___ Monster Mesh ___ 22oz Black Vinyl
 ___ Armor Mesh

Bow Option:

Rise:
 ___ Low Rise
 ___ High Rise

Ends:

___ Standard
 ___ Square

STEP 3: Contact Information

Name:			PO#:			Phone:				
Company:			Email:							
Billing Address:			Shipping Address:							
City:		State:		Zip:		City:		State:		Zip:
Terms:			Approved By:							
Card #:			Purchasers Signature:							
Name on Card:										