

ORDERING FORM #1 FRONT TO BACK

FOR QUOTE TO ORDER

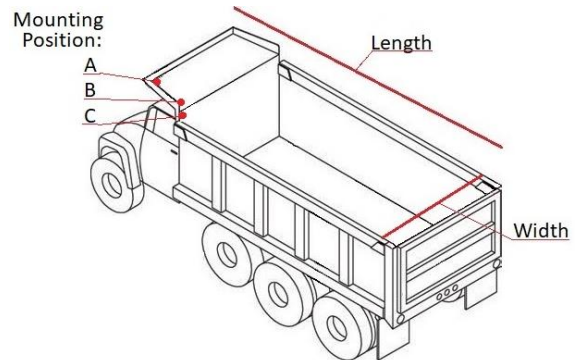
STEP 1: System Measurements

Mounting Position:

- A: Cab Shield, Front
- B: Cab Shield, Rear
- C: Side Rails

Truck/Trailer Measurements:

Length: _____(in)
 Width: _____(in)



STEP 2: System Options

System Power:

- Manual
- Electric

Motor (Recommended for Truck/Trailer Length):

- 50:1 (8' – 26')
- 60:1 (15' – 34')
- 90:1 (28' – 45')

System Arms:

- Bulletproof Aluminum
- Polished Aluminum
- Galvanized Steel

Arms:

- Bent (only 30°)
- Elbow Kits

Housing:

- Steel (Adjustable)
- Open Top (up to 102")
- Aluminum (Fixed)

Lengths

- 92in 98in 104in

Wind Deflector:

- Standard
- Smooth

Elbow Kits:

- Bulletproof Aluminum – only 30°
- Polished Aluminum – 30° or 45°
- Galvanized Steel – 30° or 45°

STEP 3: System Upgrades

- Heavy Duty Axle
- EZ Switch
- Wireless Remote
- Rubber Centering Flanges

STEP 4: Contact Information

Name:			PO#:		Phone:	
Company:			Email:			
Billing Address:			Shipping Address:			
City:	State:	Zip:	City:	State:	Zip:	
Terms:			Approved By:			
Card #:			Purchasers Signature:			
Name on Card:						