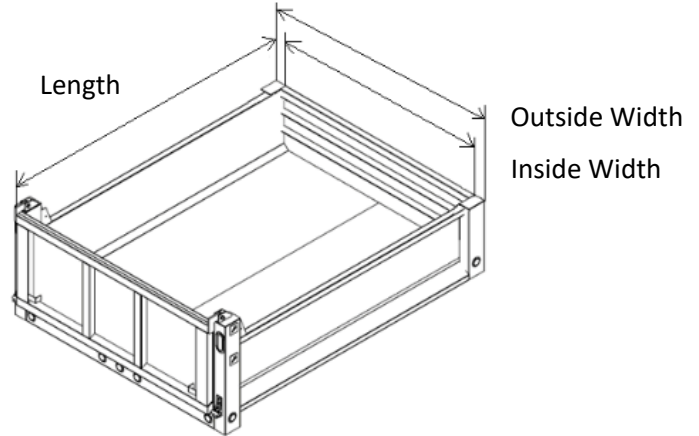


FOR QUOTE TO ORDER

STEP 1: Truck/Trailer Details and Measurements

Truck/Trailer Measurements:

Length: _____ (in)
 Outside Width: _____ (in)
 Inside Width: _____ (in)



STEP 2: System Options

Tarp Material:

<input type="checkbox"/> Black Mesh	<input type="checkbox"/> Armor Mesh	<input type="checkbox"/> 18oz Black Vinyl	<input type="checkbox"/> Asphalt Lumite
<input type="checkbox"/> Monster Mesh	<input type="checkbox"/> Pro-Tec Mesh	<input type="checkbox"/> 22oz Black Vinyl	<input type="checkbox"/> RFL Canvas
<input type="checkbox"/> Multi-Color Mesh	<input type="checkbox"/> Leno Weave	<input type="checkbox"/> Single Side Coated Air Bag	

STEP 3: System Upgrades

Locking Ratchet Assembly (-R) 2" Tarp Axle (-A) 3" Tarp Axle (-A3)

STEP 4: Contact Information

Name:			PO#:		Phone:	
Company:			Email:			
Billing Address:			Shipping Address:			
City:		State:	Zip:	City:		State: Zip:
Terms:			Approved By:			
Card #:			Purchasers Signature:			
Name on Card:						