

## ORDERING FORM #5 CABLE TARP

REPLACEMENT  
TARP IS FOR:

 ORDER  
 QUOTE

 US TARP SYSTEM  
 COMPETITOR'S SYSTEM

### STEP 1: Choose material

 Black Mesh     
  18oz Black Vinyl     
  22oz Black Vinyl     
  Other

### STEP 2: Fill in dimensions in circles below and options

**Tapered Front Options:**

Length of tapered front

 Standard 24"  
 Custom: \_\_\_\_\_(in)

**Pocket Options:**

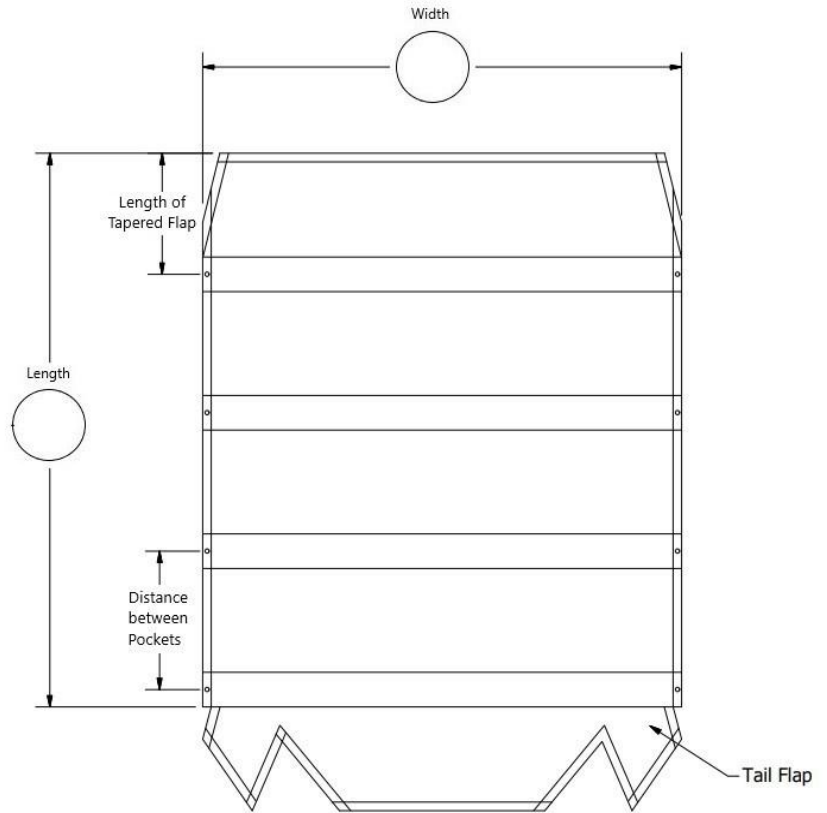
Distance between Pockets

 Standard 24" - 32"  
 Custom: \_\_\_\_\_(in)

**Bow Options:**

Height of bow rise: \_\_\_\_\_(in)

**Notes:**



### STEP 3: Contact Information

Name:			PO#:			Phone:				
Company:			Email:							
Billing Address:			Shipping Address:							
City:		State:		Zip:		City:		State:		Zip:
Terms:			Approved By:							
Card #:			Purchasers Signature:							
Name on Card:										