

FOR QUOTE TO ORDER

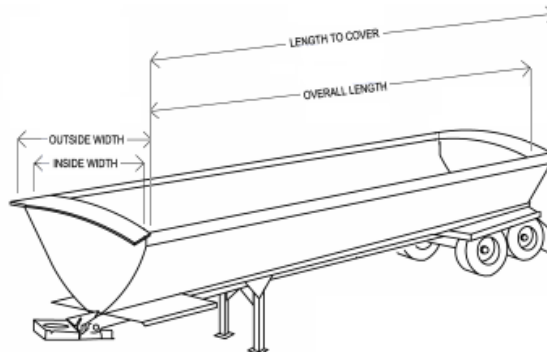
STEP 1: Trailer Details and Measurements

Trailer Information:

Trailer Make: _____
 Trailer Model: _____
 Trailer Year: _____

Trailer Measurements:

Overall Length: _____(in)
 Length to Cover: _____(in)
 Outside Width: _____(in)
 Inside Width: _____(in)



STEP 2: System Options

Complete Coiled Wiring Kit
 15' Coiled Wire
 Superwinch Motor Upgrade
 Horizontal Plugs
 Trailer Plug Set
 Vertical Plugs

STEP 3: Tarp Materials

Black Mesh
 18oz Black Vinyl
 22oz Black Vinyl

STEP 4: Contact Information

Name:			PO#:			Phone:				
Company:				Email:						
Billing Address:				Shipping Address:						
City:		State:		Zip:		City:		State:		Zip:
Terms:				Approved By:						
Card #:				Purchasers Signature:						
Name on Card:										