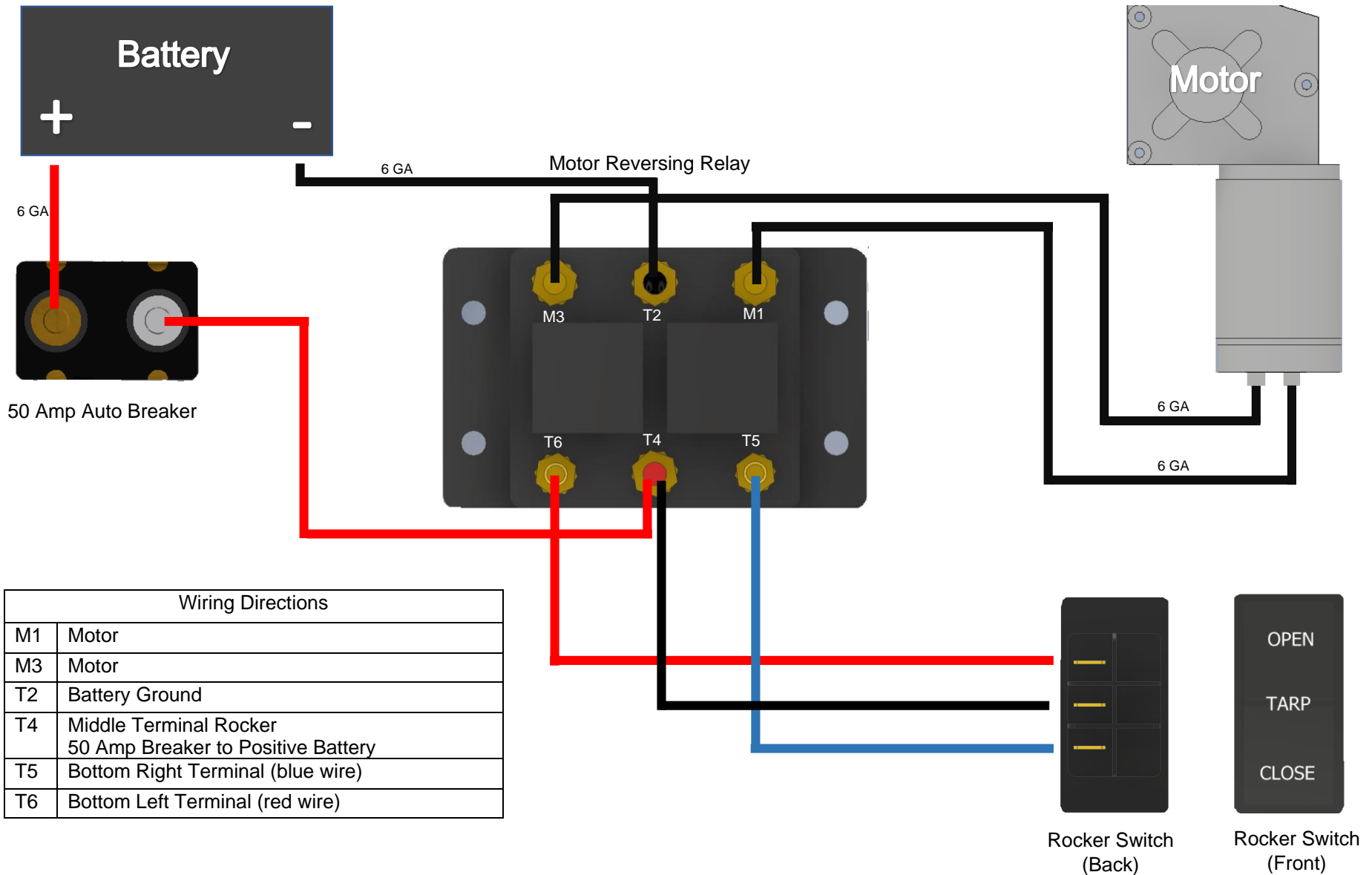


## EZ Switch Wiring Reference Sheet



Wiring Directions	
M1	Motor
M3	Motor
T2	Battery Ground
T4	Middle Terminal Rocker 50 Amp Breaker to Positive Battery
T5	Bottom Right Terminal (blue wire)
T6	Bottom Left Terminal (red wire)