

FOR QUOTE TO ORDER

STEP 1: Trailer Details and Measurements

Trailer Measurements:

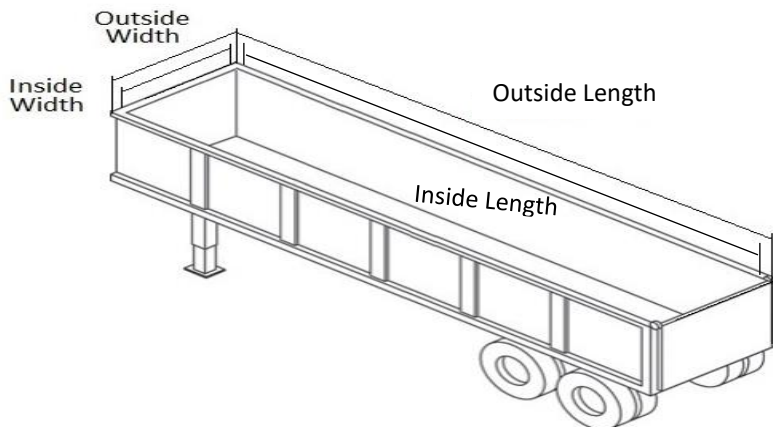
Outside Length: _____ (in)
 Inside Length: _____ (in)
 Outside Width: _____ (in)
 Inside Width: _____ (in)

Corner Configuration:

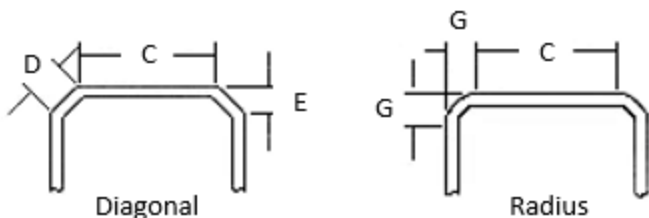
___ Square ___ Diagonal ___ Radius

Corner Dimensions:

C Flat Across Front _____ (in)
 D Flat Across Diagonal _____ (in)
 E Diagonal Depth _____ (in)
 G Outside Corner Radius _____ (in)



*Tapered trailers are dimensioned similar to the above picture



STEP 2: System Options

Tarp Material:

___ Black Mesh ___ 18oz Black Vinyl
 ___ Monster Mesh ___ 22oz Black Vinyl
 ___ Armor Mesh

Bow Option:

Rise:
 ___ Low Rise
 ___ High Rise

STEP 3: Contact Information

Name:			PO#:			Phone:		
Company:			Email:					
Billing Address:			Shipping Address:					
City:		State:	Zip:		City:		State:	Zip:
Terms:			Approved By:					
Card #:			Purchasers Signature:					
Name on Card:								