

FOR QUOTE

TO ORDER

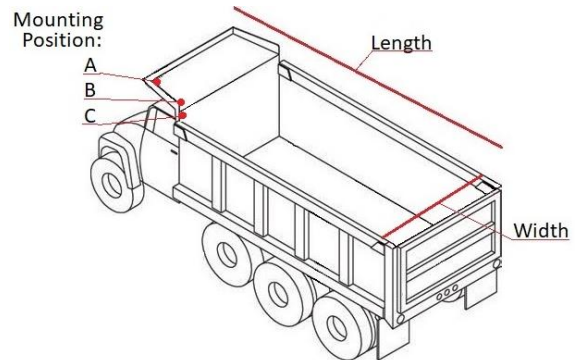
STEP 1: System Measurements

Mounting Position:

- A: Cab Shield, Front
- B: Cab Shield, Rear
- C: Side Rails

Truck/Trailer Measurements:

Length: _____(in)
 Width: _____(in)



STEP 2: System Options

System Power:

- Manual
- Electric

Motor (Recommended for Truck/Trailer Length):

- 50:1 (8' – 26')
- 60:1 (15' – 34')
- 90:1 (28' – 45')

System Arms:

- Bulletproof Aluminum
- Polished Aluminum
- Galvanized Steel

Arms:

- Bent (only 30°)
- Elbow Kits

Housing:

- Open Top (up to 102")
- Aluminum (Fixed)

Arm Lengths

- 92in 98in 104in

Wind Deflector:

- Standard
- Smooth

Elbow Kits:

- Bulletproof Aluminum – only 30°
- Polished Aluminum – 30° or 45°
- Galvanized Steel – 30° or 45°

STEP 3: System Upgrades

- Heavy Duty Axle
- EZ Switch
- Wireless Remote
- Rubber Centering Flanges

STEP 4: Contact Information

Name:			PO#:			Phone:		
Company:			Email:					
Billing Address:			Shipping Address:					
City:		State:	Zip:		City:		State:	Zip:
Terms:			Approved By:					
Card #:			Purchasers Signature:					
Name on Card:								