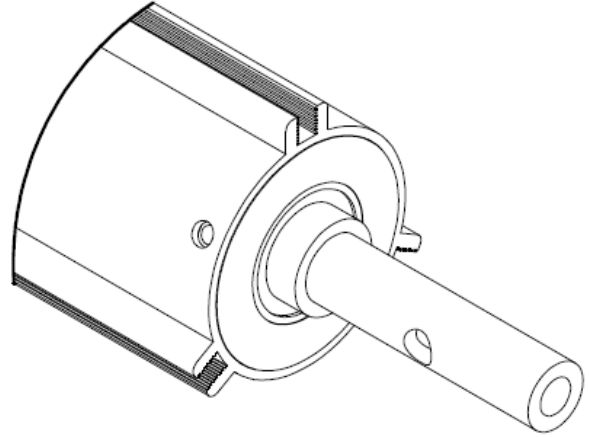
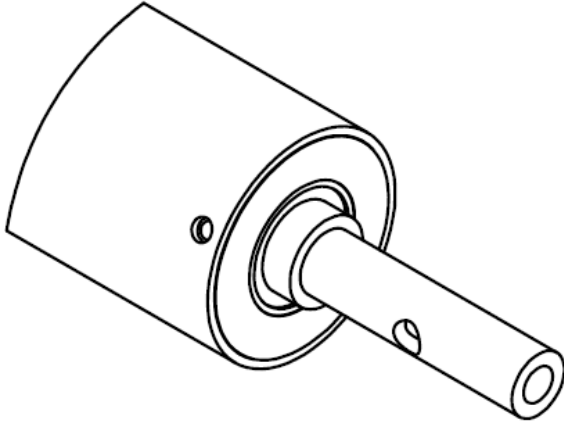


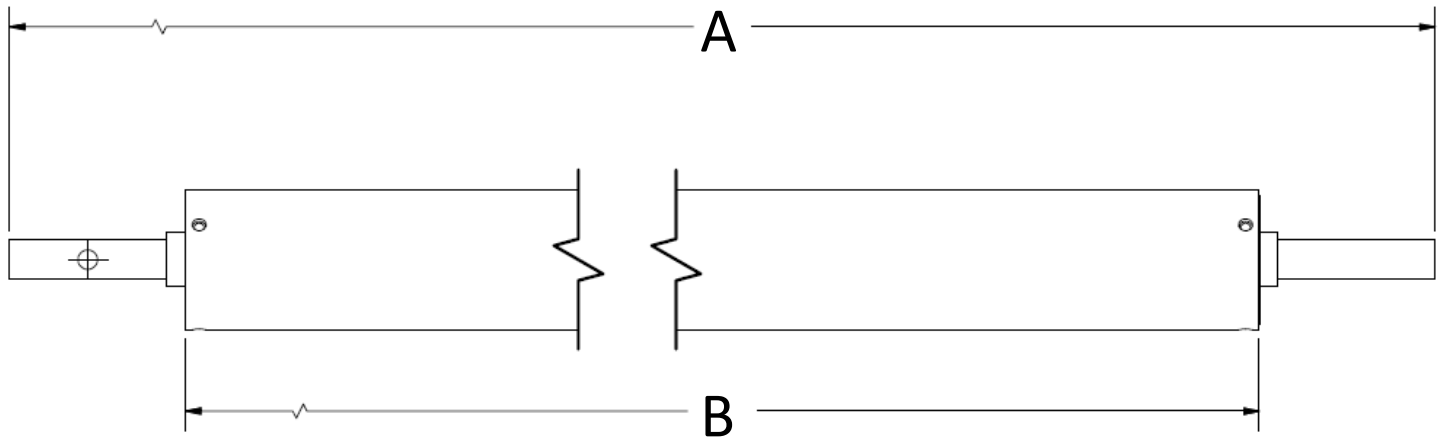
Choose Roller Assembly



H7022C– Spring Roller Assembly

H7002A– Aluminum Roller Tube

A: Pin to Pin Measurement: _____



B: End to End Measurement: _____

Notes:-

STEP 4: Contact Info

Name: _____

Company: _____

Location: _____

Phone: _____

Email: _____

R-12/09/21