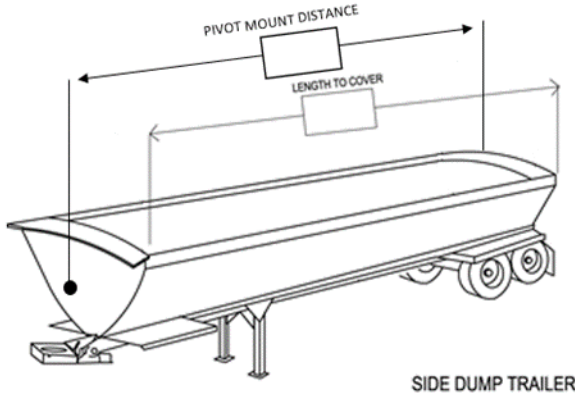
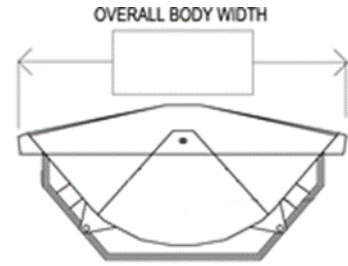


Complete System Replacement Tarp Only

STEP 1: Trailer Details and Measurements



SIDE DUMP TRAILER



REAR SIDE DUMP TRAILER

Trailer Make: _____
 Trailer Model: _____
 Trailer Year: _____

STEP 2: System Options

Horizontal Plugs (Vertical Standard) Horizontal Coiled Wiring Kit
 Vertical Coiled Wiring Kit

STEP 3: Tarp Options

Tarp Material:
 Black Mesh Monster Mesh Armor Mesh 18oz. Black Vinyl

Notes: _____

Contact Info:

Name: _____
 Company: _____
 Location: _____
 Phone: _____
 Email: _____