

Order

Quote

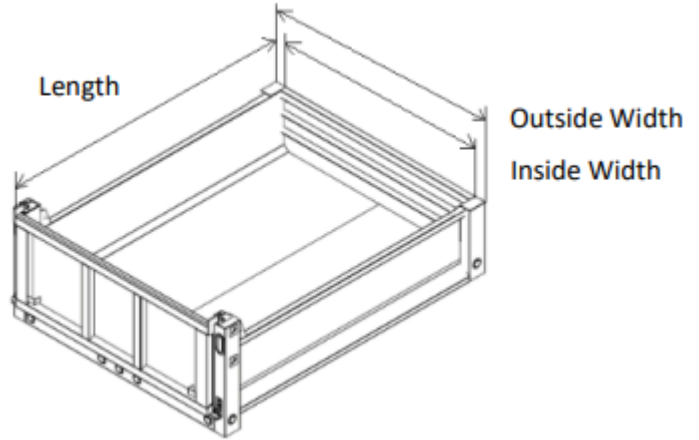
STEP 1: Trailer Details and Measurements

Truck/Trailer Measurements:

Length: _____ (in.)

Outside Width: _____ (in.)

Inside Width: _____ (in.)



STEP 2: Tarp Options

Tarp Material:

Black Mesh

Armor Mesh

18oz Black Vinyl

RFL Canvas

Monster Mesh

Pro Tech Mesh

22oz Black Vinyl

Air Bag Material

Multi-Color Mesh

Leno Weave

Asphalt Lumite

STEP 3: System Upgrades

Locking Ratchet Assembly (-R)

2" Tarp Axle (-A)

3" Tarp Axle (-A3)

Contact Info:

Name: _____

Company: _____

Location: _____

Phone: _____

Email: _____