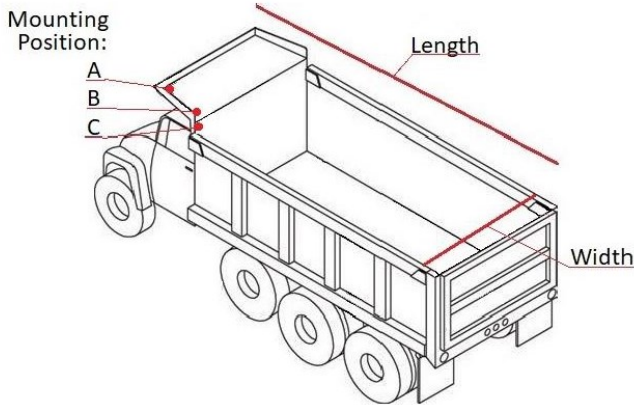


For Quote

To Order

STEP 1: Trailer Details and Measurements:



Mounting Positions:

- A: Cab Shield, Front
- B: Cab Shield, Back Side
- C: Side Rails

Truck/ Trailer Measurements _____

Length: (in) _____

Width :(in) _____

STEP 2: System Options:

System Power:

- Manual
- Electric

System Arms:

- Bulletproof Aluminum
- Polished Aluminum
- Galvanized Steel

Arms:

- Bent (Only 30°)
- 30°Elbow Kit
- 45°Elbow Kit

Housings (Optional):

- Wind Deflector (Standard / Smooth)
- Open Top (Up to 102")
- Aluminum (92" / 98" / 102")

STEP 3: System Upgrades:

Heavy Duty Axle

EZ Switch

Wireless Remote

Top Rail Pivots

HD Motor

Rubber Centering Flanges

STEP 4: Contact Info:

Name: _____

Company: _____

Location: _____

Phone: _____

Email: _____