

Order Quote

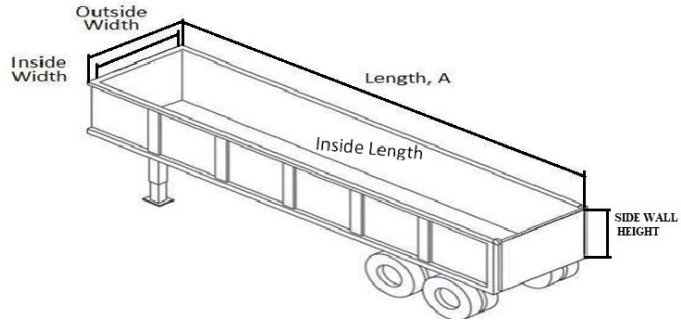
STEP 1: Trailer Details and Measurements

Trailer Measurements:

Outside Length: _____ (in)
 Inside Length: _____ (in)
 Outside Width: _____ (in)
 Inside Width: _____ (in)
 Side Wall Height: _____ (in)

Corner Configuration:

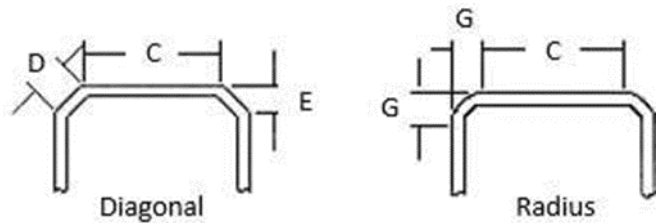
Square Diagonal Radius



Corner Dimensions:

C Flat Across Front: _____ (in)
 D Flat Across Diagonal: _____ (in)
 E Diagonal Depth _____ (in)
 G Outside Corner Radius _____ (in)

*Tapered trailers are dimensioned similar to the above picture



STEP 2: System Options

Tarp Material:

Black Mesh 18oz. Black Vinyl
 Monster Mesh 22oz. Black Vinyl
 Armor Mesh

Bow Rise Option:

Low Rise
 High Rise

End Cap:

Universal 3 Piece AL Front
 Universal 3 Piece AL Rear
 18oz. Fabric Front
 18oz. Fabric Rear

Contact Info:

Name: _____
 Company: _____
 Location: _____
 Phone: _____
 Email: _____