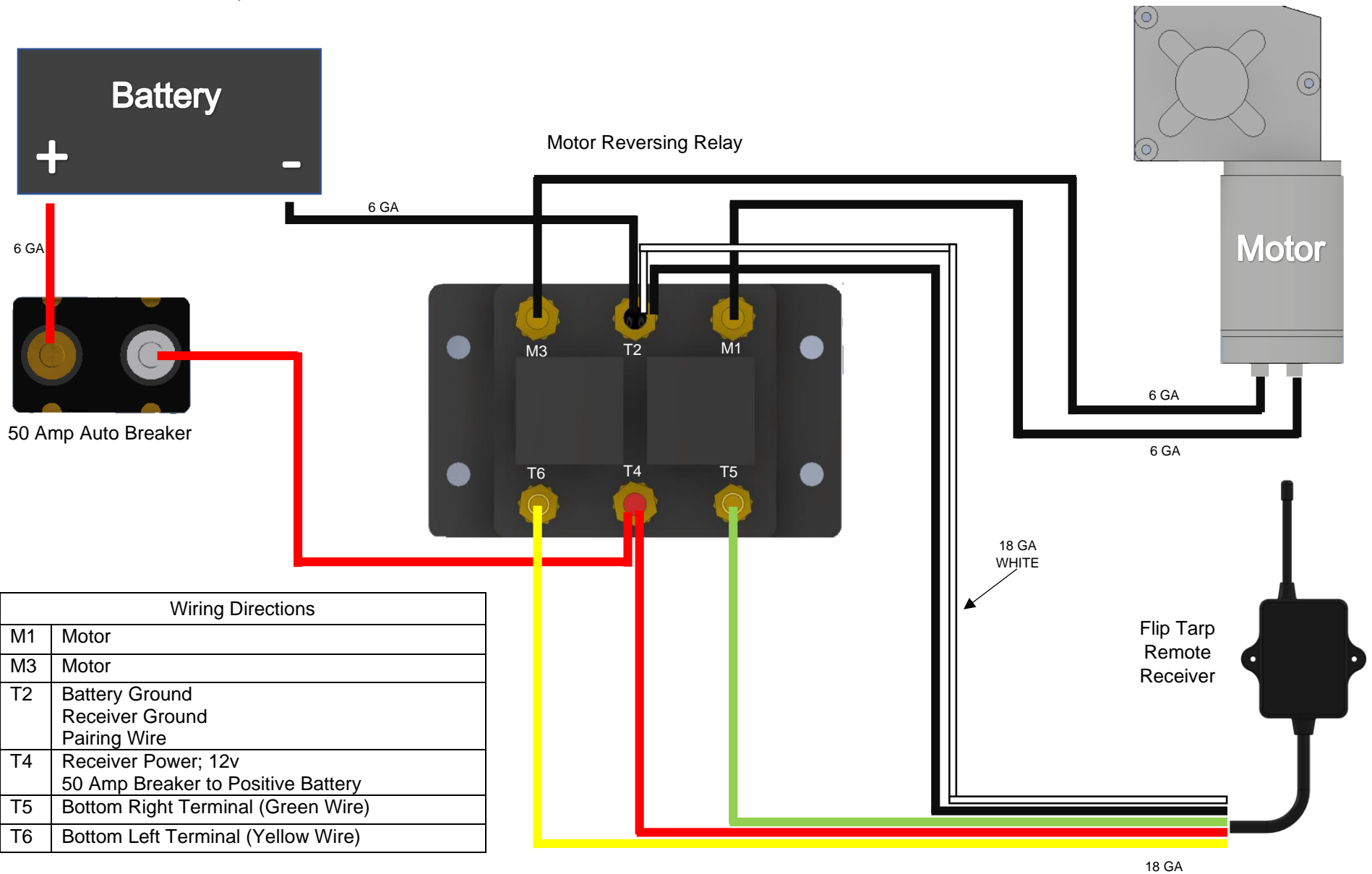


EZ Switch Wiring Reference Sheet



Wiring Directions	
M1	Motor
M3	Motor
T2	Battery Ground Receiver Ground Pairing Wire
T4	Receiver Power; 12v 50 Amp Breaker to Positive Battery
T5	Bottom Right Terminal (Green Wire)
T6	Bottom Left Terminal (Yellow Wire)