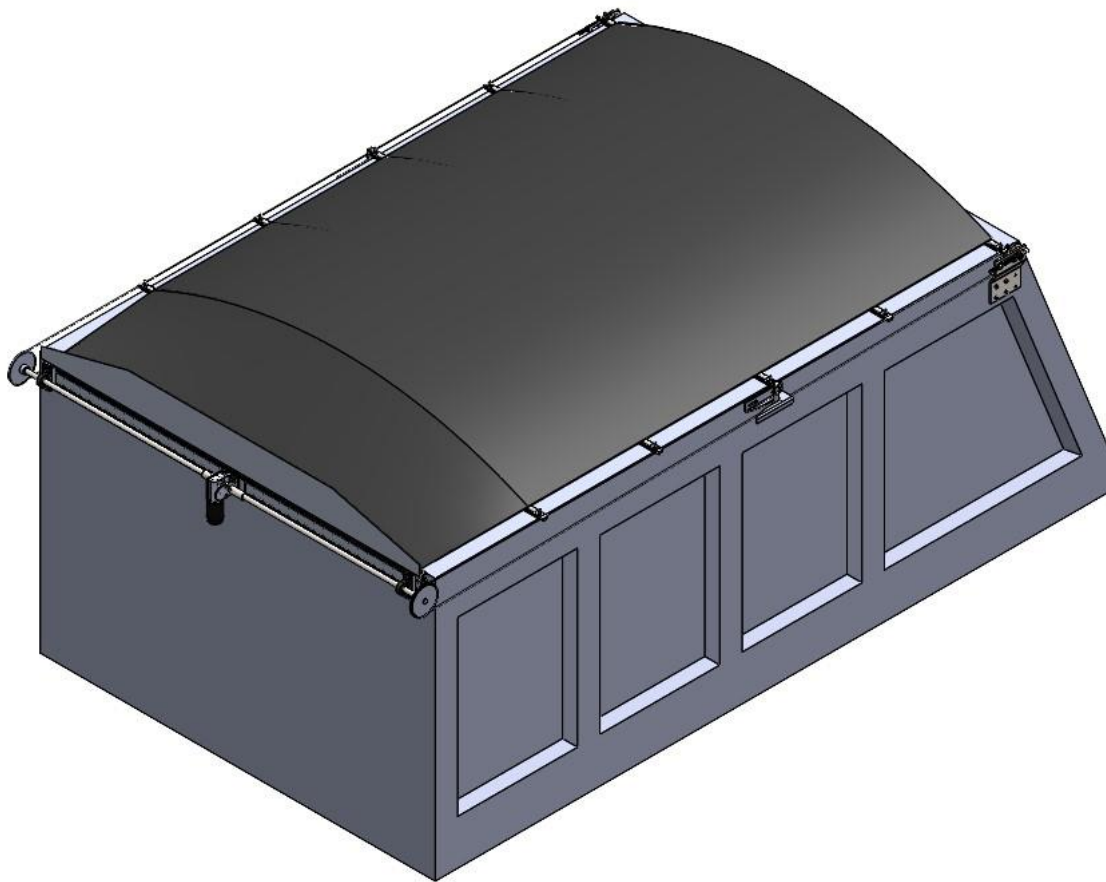


# **Cable Tarp System**

## **Electric Cable – Dual Shaft with KBar**

### **INSTALLATION INSTRUCTION MANUAL**



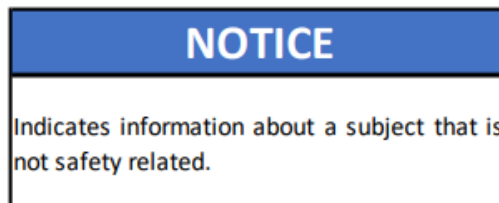
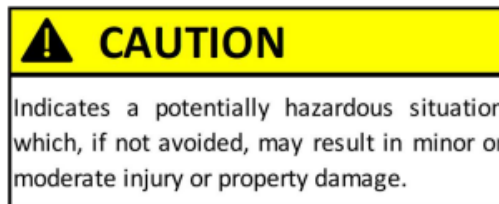
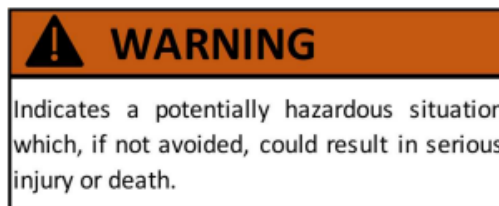
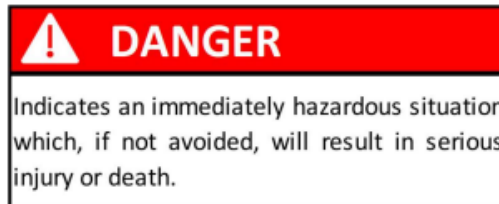
# Table of Contents

SAFETY.....	3
STEP 1: MOUNTING THE KBAR .....	4
STEP 2: INSTALLING THE REAR IDLERS .....	5
STEP 3: INSTALLING THE CABLE TARP AND BOWS .....	7
STEP 4: FASTENING THE FRONT OF THE TARP .....	9

# SAFETY

Read this section carefully before proceeding. The following symbols may appear prior to certain safety related assembly and installation steps described in this manual.

FAILURE TO OPERATE AND INSTALL THIS UNIT AS INSTRUCTED MAY RESULT IN SERIOUS INJURY OR DEATH.



## Step 1: Mounting the KBar

The k-bar system should come fully assembled including all necessary pulleys, axles and bearings.

On the front of the trailer, mark a horizontal line that is exactly 2-5/8" below the top edge of the trailer.

Drill 3 mounting holes along this line, one on each edge of the box and one in the center, using 33/64" drill bit.

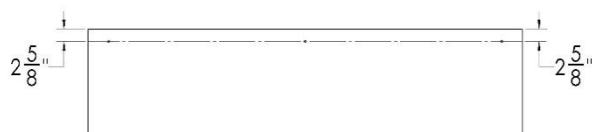
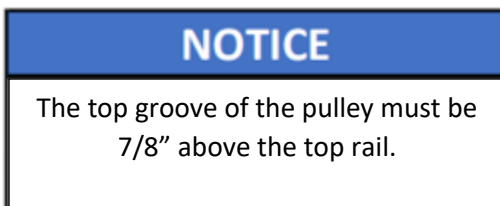
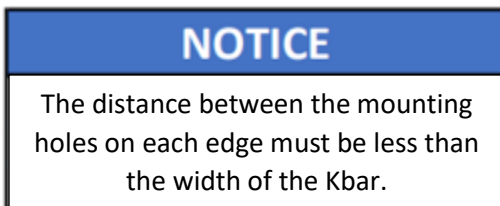


Figure 1.1

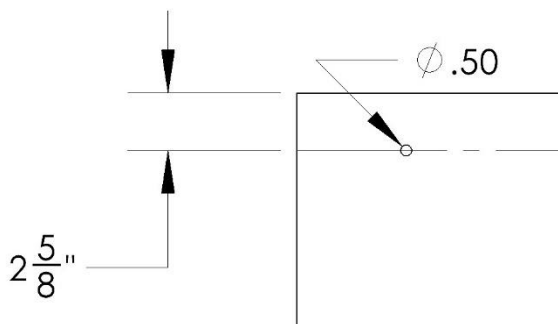


Figure 1.2



Slide the 3, 1/2"-13 x 4-1/2" carriage bolts (2) that are provided into the slot located on the back of the kbar (1) and space them, so they align with the holes that were previously drilled on the dump box. (Fig. 1.3)

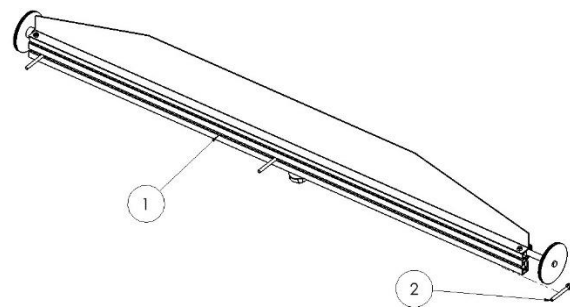


Figure 1.3

Lift the kbar and slide the carriage bolts through the mounting holes on the dump box. Secure them using the supplied 1/2" hex nuts. Make sure the pulleys are centered on the body.

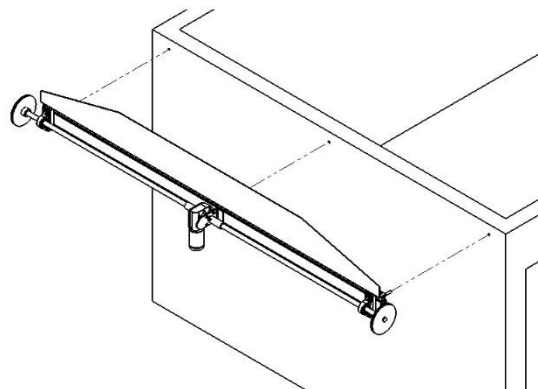


Figure 1.4

## Step 2: Installing the Rear Idlers

The placement of the rear idler assembly is influenced by the tailgate style on the body or trailer. If there is not a tailgate or the tailgate swings up and down, the idler assembly should be mounted as close to the rear as possible, while still allowing for at least 4 bolts to be installed in the mounting holes on the assembly (Figure 2.1). If the swing door swings outward, side to side, then the rear idler assembly must be mounted slightly closer to the front of the body or trailer, to not interfere with the opening or closing of the swing door (Figure 2.2).

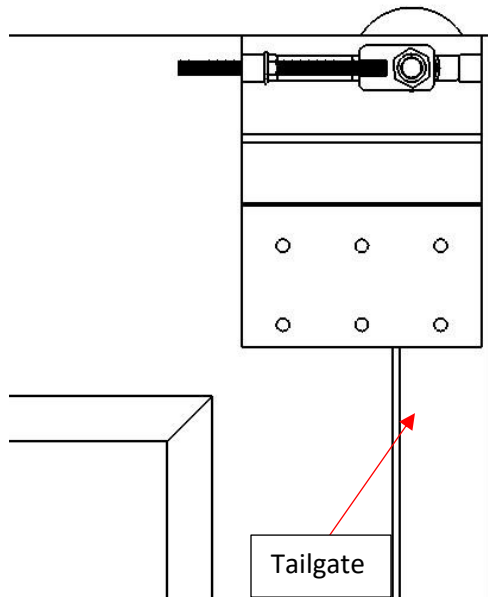


Figure 2.1

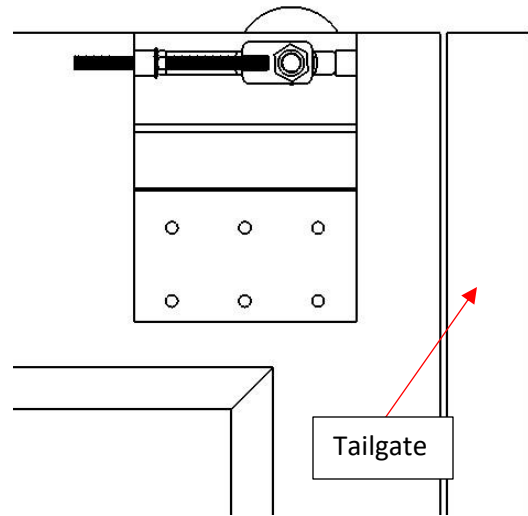


Figure 2.2

Clamp the driver side idler assembly to the body or trailer so that the top of the mounting bracket is flush with the top rail of the body/ trailer. Mark the position of at least 4 of the mounting holes. Remove the assembly and drill out the mounting holes using an 11/32 drill bit. Use the supplied 3/8" x 1-1/2" self-tapping bolts to secure the idler assembly to the body/ trailer.

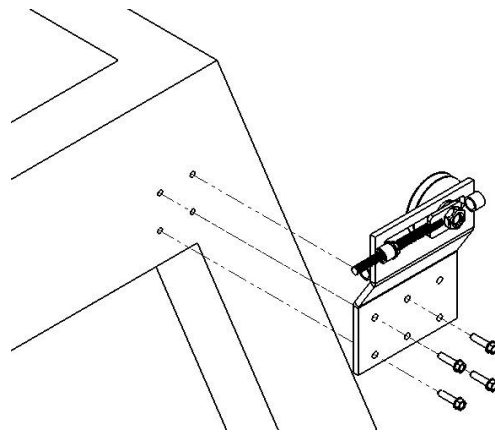


Figure 2.3

Measure the distance from the rear of the body or trailer to the front of the driver side idler mounting bracket. Mark this distance on the other side of the body/ trailer. Align the front of the passenger side idler assembly mounting bracket with this mark, clamp it to the body and repeat the mounting instructions that were given for the driver side idler assembly.

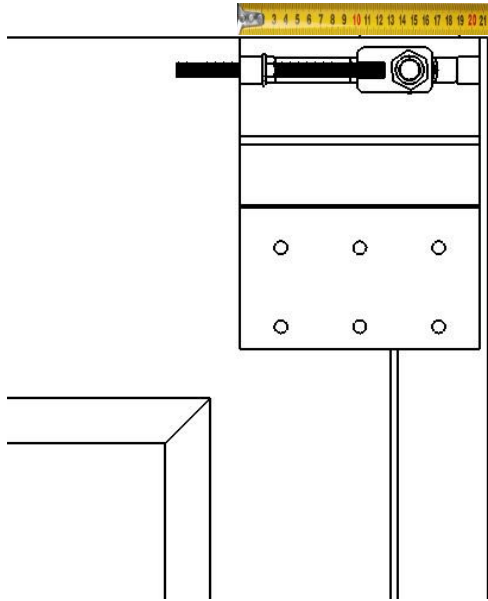


Figure 2.4

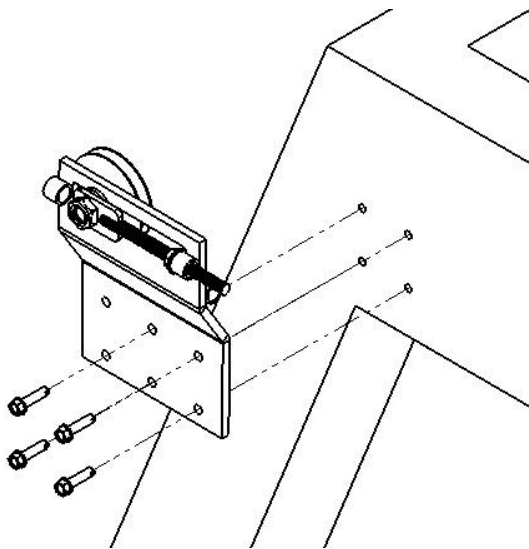


Figure 2.5

It is necessary for the rear idlers to be square and in line with the front pulleys.

To check if the idler assemblies are square measure the distance of the idler assemblies from the driver side front corner to the passenger side rear corner (X), and then from the passenger side front corner to the driver side rear corner (Y). These distances should be the same.

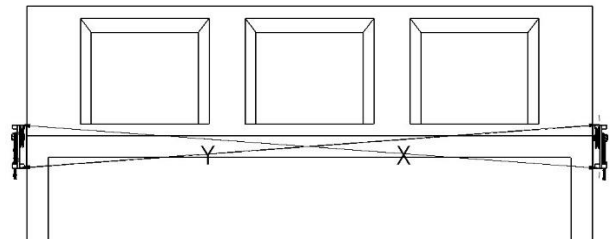


Figure 2.6

To check if the idler assemblies are in line with the front pulleys measure the distance between the front pulleys and measure the distance between the rear idlers. These distances should be the same. Additionally use line of sight from the rear of the body/ trailer to ensure they are in line.

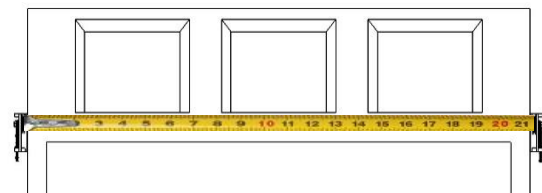


Figure 2.7

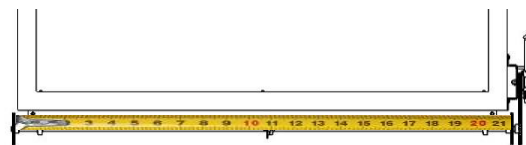


Figure 2.8

If the rear idlers are not square it may be necessary to use shims to achieve the proper orientation. If the idlers and the pulleys are not in line with each other adjust the positioning of the pulleys on the kbar at the front of the body/ trailer.

### Step 3: Installing the Cable Tarp and Bows

The tarp and bows should come preassembled and held together by shipping rods. If this is not the case, slide one bow through each pocket and orient them so that the pocket side of the tarp faces down when installed.

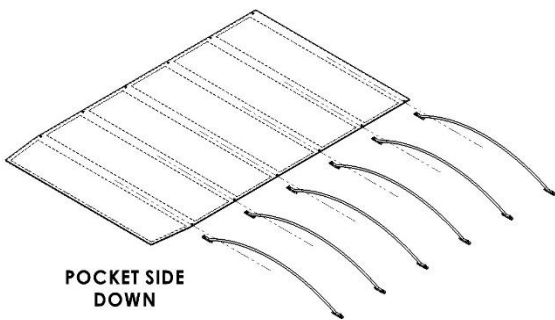


Figure 3.1

Detach the 1/4" hex nut and washer that links the slider to the bow. Attach the tarp to each bow by placing the grommet over the bolt located at the end of the bow. Attach the tarp to the bow by replacing the 1/4"-20 hex nut and washer.

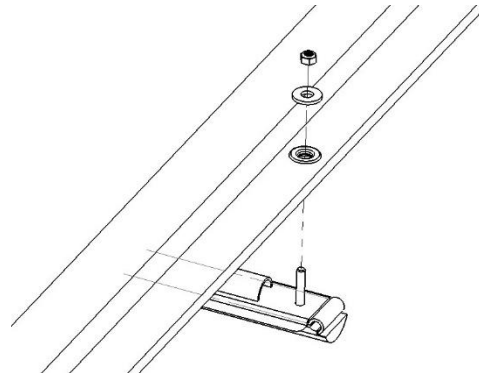


Figure 3.2

Once your tarp and bows are assembled pack them tightly together and secure them using a ratchet strap or something similar. For the preassembled tarp, leave the shipping rods in place. Set the tarp and bow assembly on the front of the body or trailer. Starting with the driver side, thread the cable down and around the idler on the rear idler assembly.

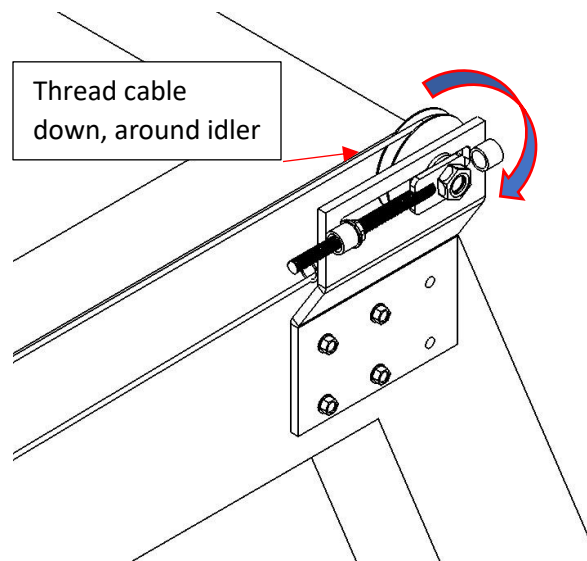


Figure 3.3

Remove the shipping rod, thread the cable up and around the front pulley and then through the holes at the end of the bows beginning with the front bow and working to the rear bow.

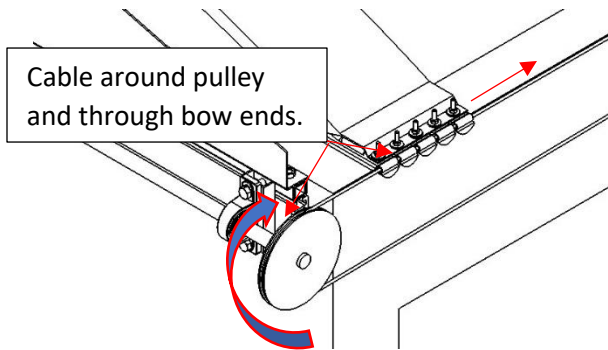


Figure 3.4

After threading through the bows, stop with two to four inches of cable protruding from the rear most bow. Next, bring the other end of the cable forward to meet the previous end at the rear most bow. Using two cable clamps, clamp the ends together placing one clamp in front of and one clamp behind the rear most bow.

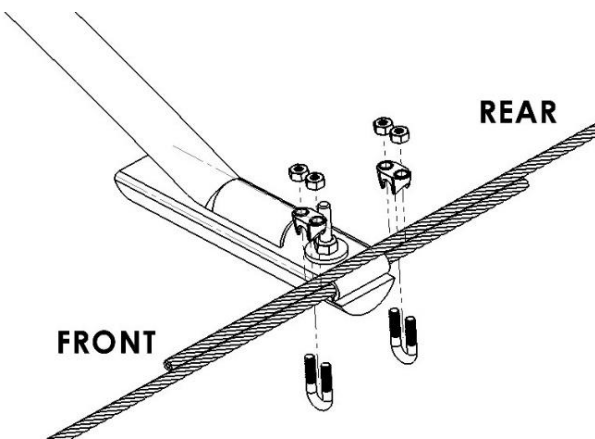


Figure 3.5

Repeat the process of threading the cable and installing the clamps on the passenger side of the trailer.

Once you have secured both sides of the system tension the cable by loosening the sheave nut on the idler bolt and then tightening the nut on the tension bolt to push the pulley toward the rear of the trailer. Once you have achieved an ideal tension retighten the sheave nut on the idler bolt. Repeat this process for the idler on the other side of the trailer.

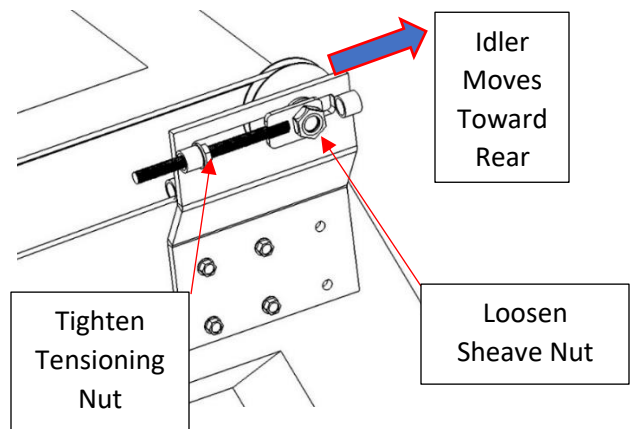


Figure 3.6

**NOTICE**

Both sides must be under nearly the same amount of tension.

To check if the cable is under the correct tension, move the cable to the uncovered position. When both cables are squeezed together in the middle there should be a 1" gap between them. Recheck the cable tension after the system has sat for a couple of days.

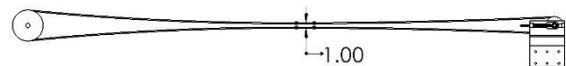


Figure 4.7



## Step 4: Fastening the Front of The Tarp.

Extend the tarp out so that the last bow is as close as possible to the rear idler without resting on it. Leave no more than a 4" gap between the idler and the last bow. Clamp the rear bow into position.

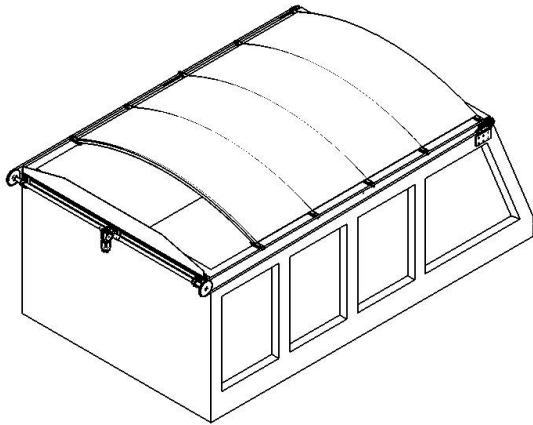


Figure 4.1

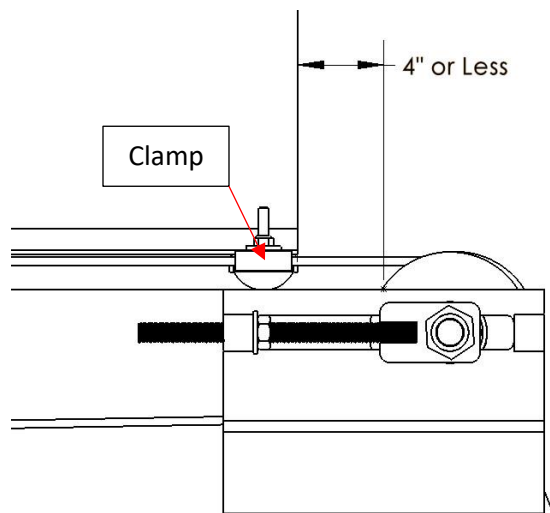


Figure 4.2

Remove the wind deflector and tension bar from the kbar.

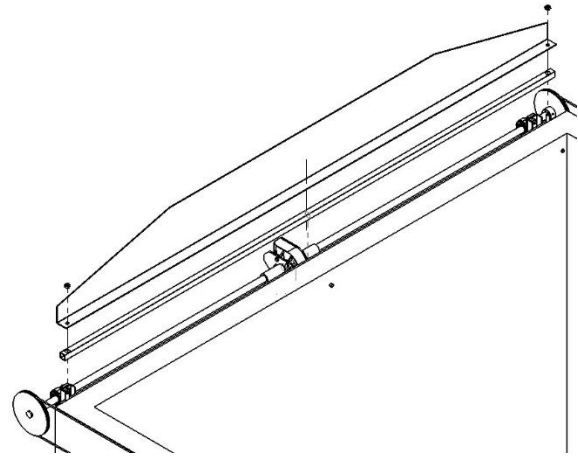


Figure 4.3

Fasten the front of the tarp to the tension bar using the supplied #12 x 1" Pan Head Phillips Self Tapping Screws.

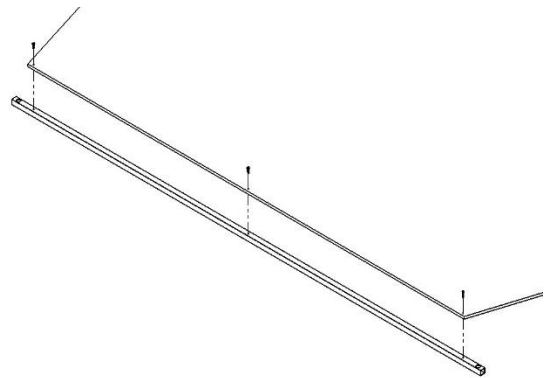


Figure 4.4

Roll the bar under the tarp until the tarp is taut.

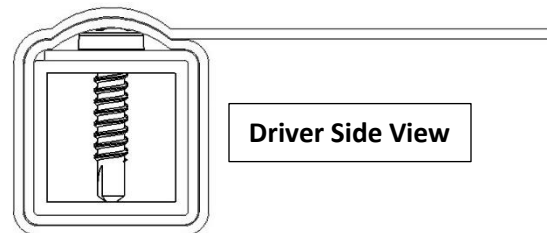
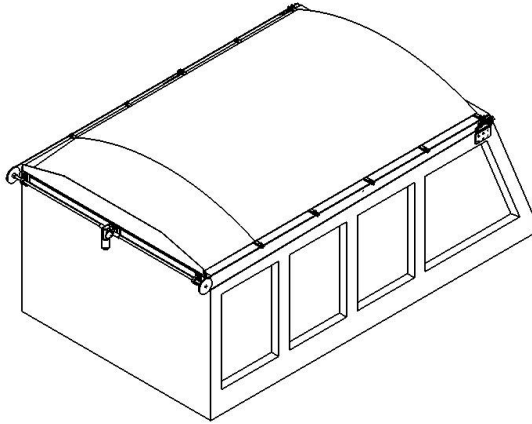


Figure 4.5

Remount the tension bar and wind deflector to the kbar. The system should look like the one depicted in Figure 5.6.



*Figure 4.6*

Run the system in and out a few times to make sure the system is operating correctly. Adjust the system as necessary.