

16581 Fabric Ag End Cap

INSTALLATION INSTRUCTION MANUAL

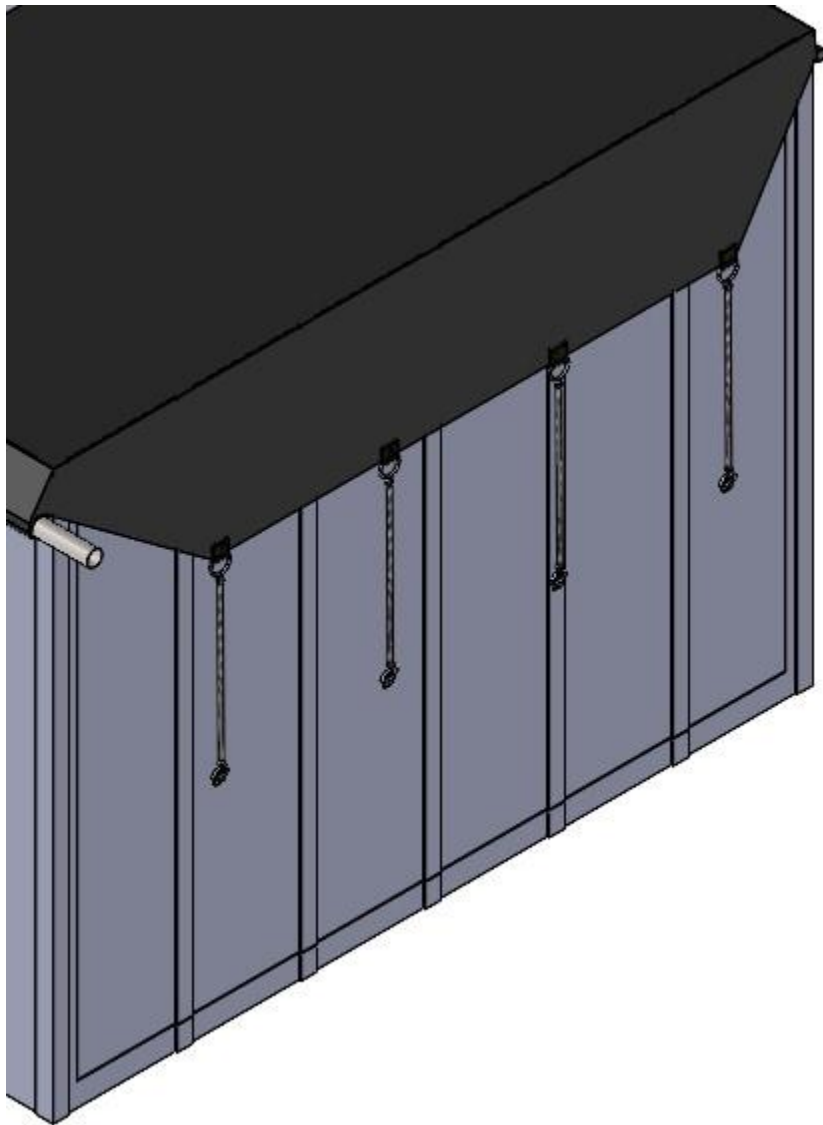


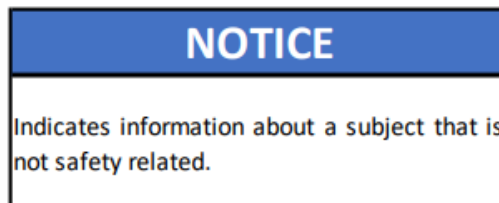
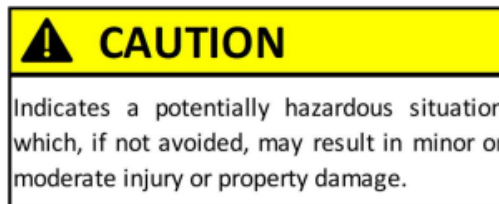
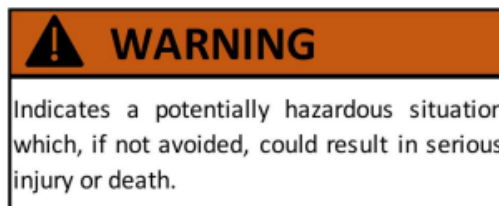
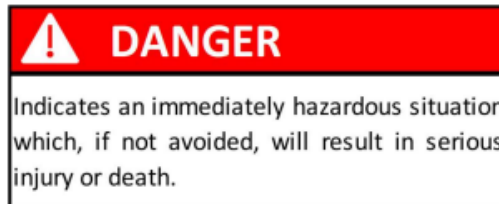
Table of Contents

SAFETY.....	3
STEP 1: SECURING THE FIXED & ROLL TUBES	4
STEP 2: SECURING THE D-RINGS	4

SAFETY

Read this section carefully before proceeding. The following symbols may appear prior to certain safety related assembly and installation steps described in this manual.

FAILURE TO OPERATE AND INSTALL THIS UNIT AS INSTRUCTED MAY RESULT IN SERIOUS INJURY OR DEATH.



Step 1: Securing the Fixed & Roll Tubes

Slide the fixed tube and roll tube of your system into their corresponding pocket all the way to the end of the pockets.

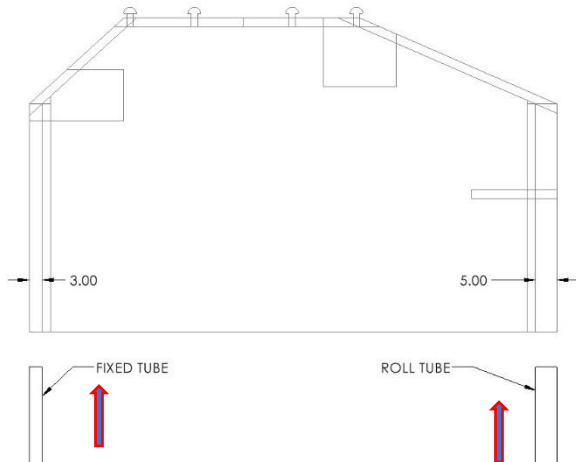


Figure 1.1

Install 2 U-clamps on the roll tube side near the ends of the pockets to secure the tarp to the roll tube.

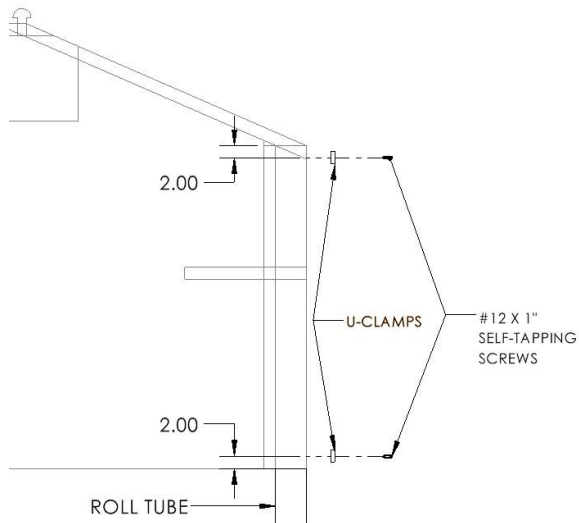


Figure 1.2

Step 2: Securing the D-Rings

With the tarp in the closed position, secure the D-rings to the dump door using bungee cords as shown in Figure 2.1.

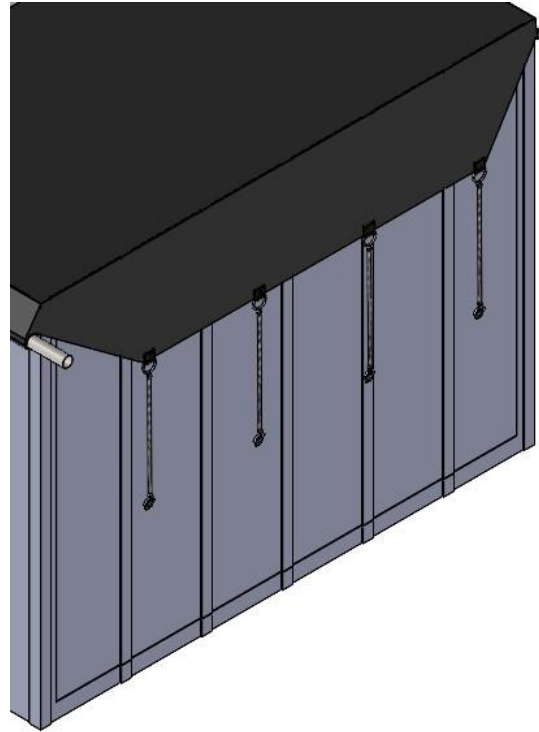


Figure 2.1

Undo the bungee cords and uncover and cover the trailer a couple times to make sure that the end cap functions properly.



1-(800) 249-0297
technicalsupport@ustarp.com
www.ustarp.com