

Aluminum Ag End Caps

INSTALLATION INSTRUCTION MANUAL

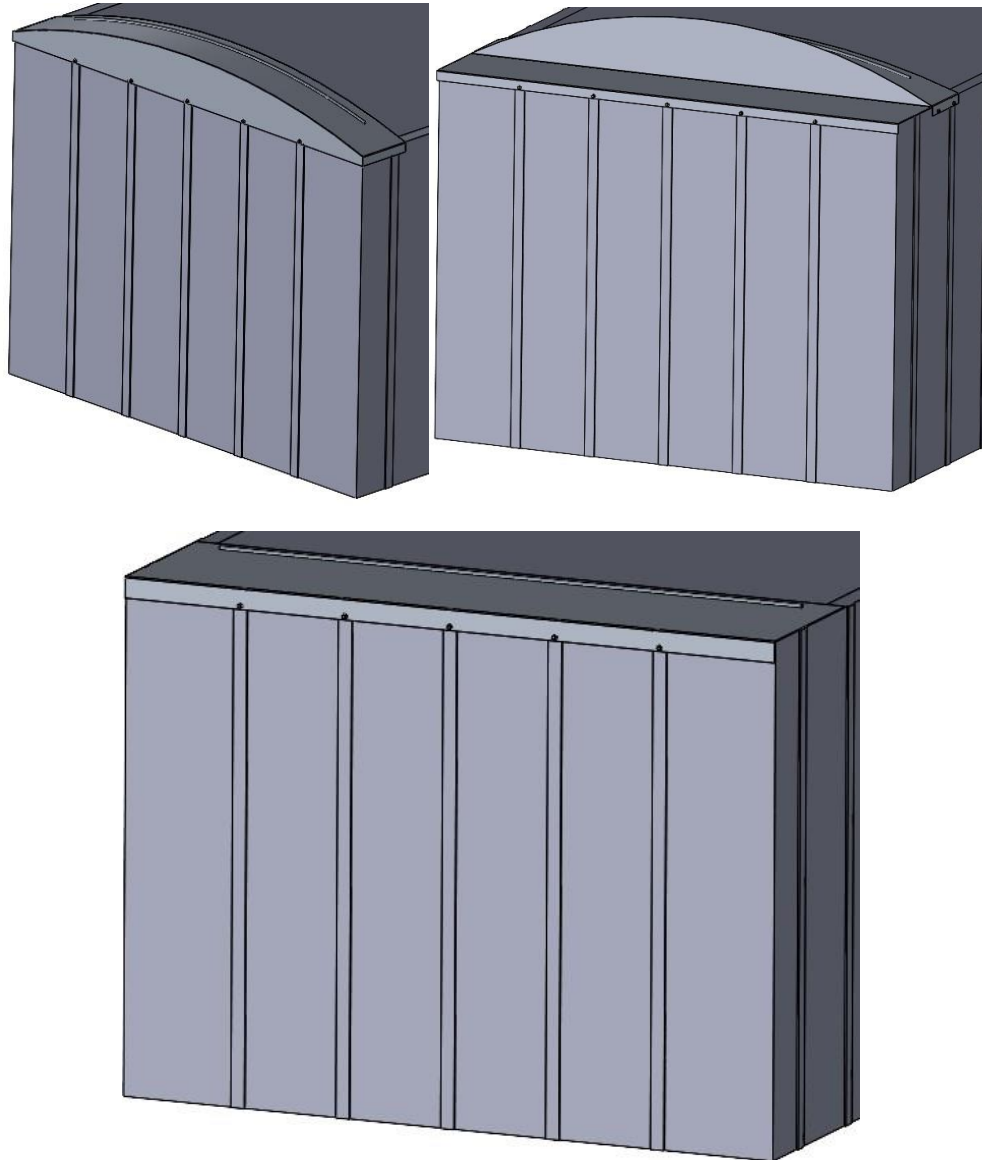


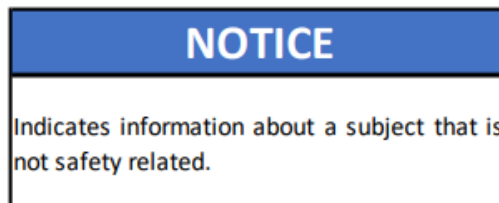
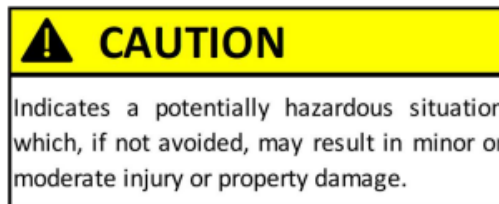
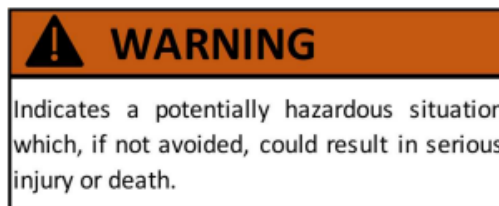
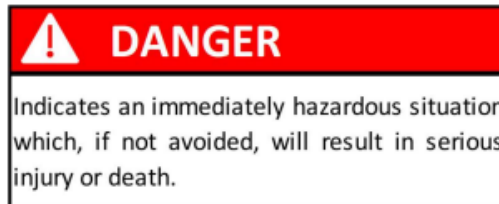
Table of Contents

SAFETY.....	3
15802	4
15804	4
16822	5

SAFETY

Read this section carefully before proceeding. The following symbols may appear prior to certain safety related assembly and installation steps described in this manual.

FAILURE TO OPERATE AND INSTALL THIS UNIT AS INSTRUCTED MAY RESULT IN SERIOUS INJURY OR DEATH.



15802:

Place the 15802 aluminum end cap on the end of the trailer.

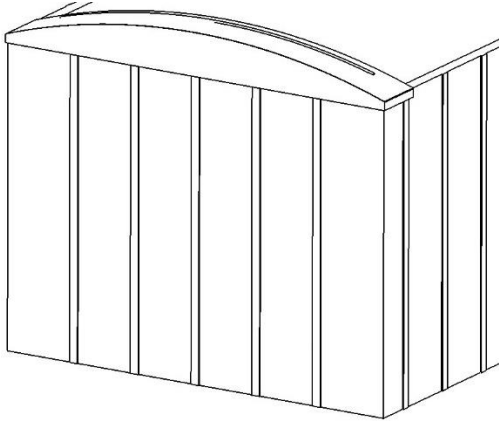


Figure 1.1

Secure the end cap to the trailer using 3/8" x 1" self-tapping screws.

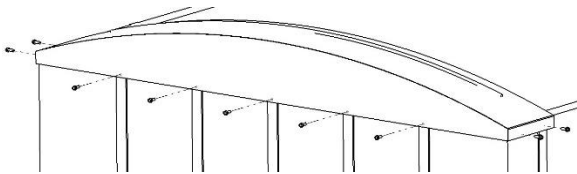


Figure 1.2

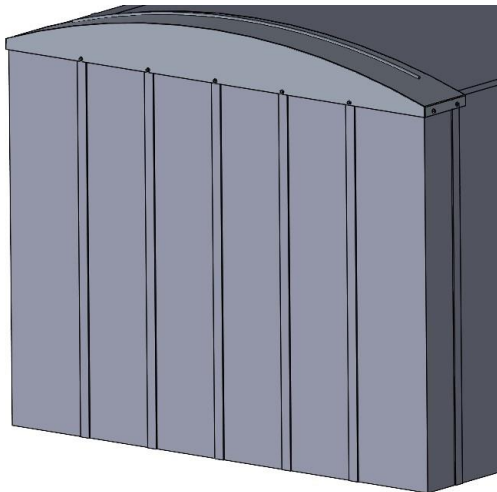


Figure 1.3

15804:

Place the 15804 aluminum end cap on the end of the trailer.

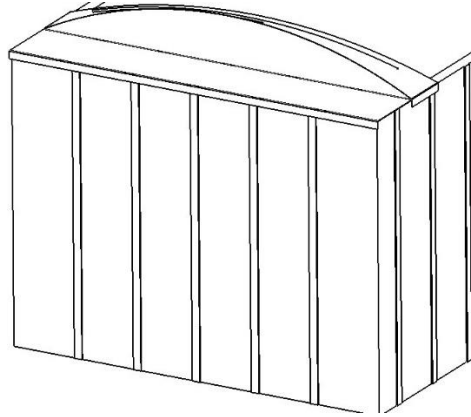


Figure 2.1

Secure the end cap to the trailer using 3/8" x 1" self-tapping screws.

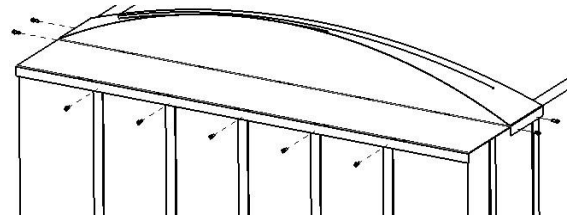


Figure 2.2

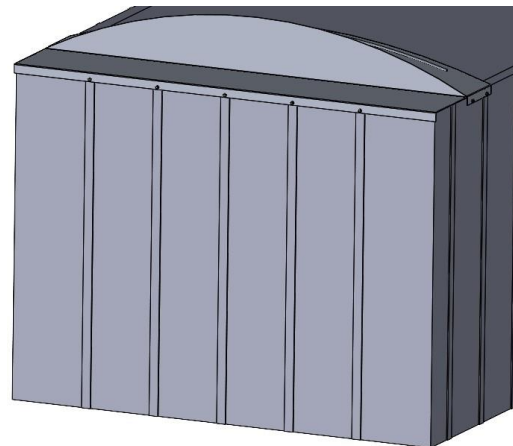


Figure 2.3

16822:

Place the 16822 aluminum end cap on the end of the trailer.

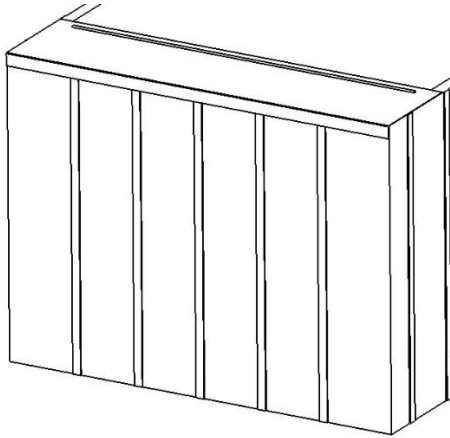


Figure 3.1

If the trailer corners are round or the end cap is too long, make the driver's side flush and trace the profile to the underside of the end cap. Cut the end cap to match the profile.

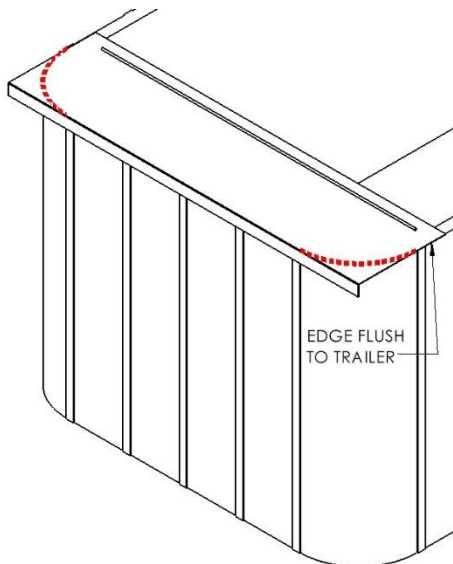


Figure 3.2

Secure the end cap to the trailer using 3/8" x 1" self-tapping screws.

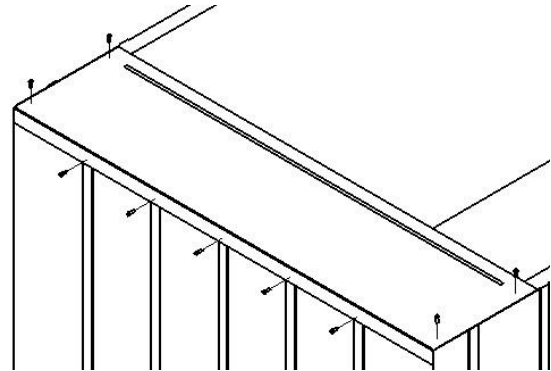


Figure 3.3

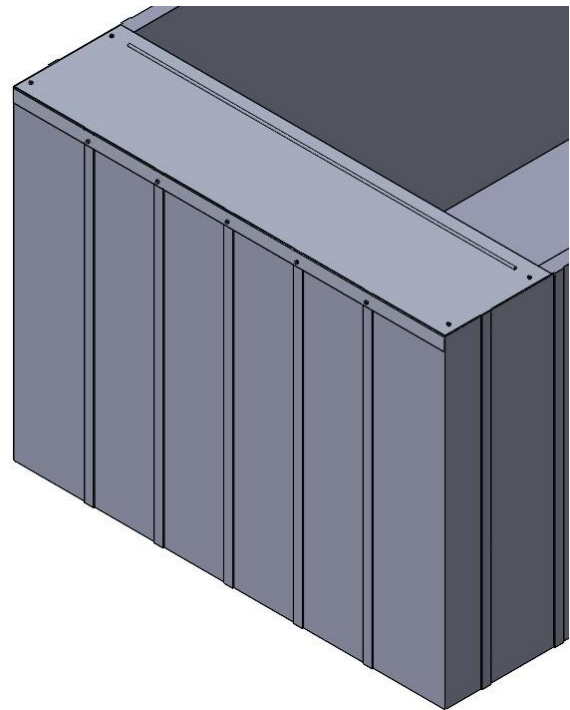


Figure 3.4