

US Tarp

Covering America[®]

CONSTRUCTION & LANDSCAPE



RECYCLING & REFUSE



AGRICULTURE & SPECIALTY



**PARTS
CATALOG**

800-249-0297 | USTARP.COM

OUR MISSION

PURPOSE

Our purpose is to protect the motoring public and valuable cargo with flexible covering solutions for the transportation industry.

MISSION

We are driven to solve customer problems, passionate about our markets, and confident that our products add value. We are innovative, hands-on, agile, and responsive. We design, manufacture, and carry inventory to be the most responsive tarping system supplier in the business.

VISION

The vision for US Tarp is to expand our business by becoming the most innovative and complete solutions provider.

VALUES

At US Tarp, our core values define how we do business and treat each other. We believe that these core values depict our culture and provide the outline for all our interactions and behaviors.

TRUST

We earn trust through honesty, transparency, and clear communication with each other and our customers.

INTEGRITY

Sometimes ethical lines can be blurred. We choose to do what's right and value strong moral character.

RESOURCEFULNESS

We work hard for the company, the customers, and each other. We promote innovation. We are practical, efficient, and helpful.

PASSION

We are devoted to what we do and perform our roles enthusiastically. We make sure to have fun while we are at it!

COLLABORATION

Teamwork is essential to success. As a customer service focused company, we work together to ensure our clients have the best experience. We support each other as if we were family and have as much fun as possible!

RESPECT

We facilitate an environment all members are proud to be a part of by respecting everyone's ideas, contributions, and hard work.

TABLE OF CONTENTS

TARP MOTORS	4
ELECTRICAL	5
AXLE, HOUSING KITS & MISCELLANEOUS	6
ARM KITS	7
ELBOW KITS & CENTERING FLANGES	8
SPRING KITS	9
TARP SYSTEM SPECIFICATIONS	
Specifications	10
System Add-Ons	11
FRONT-TO-BACK SYSTEMS	
Aluminum	12
Galvanized Steel	16
Bulletproof Aluminum	20
Aluminum Tarp Spool	24
PARTS FOR TARPS	
Aero® Replacement Parts	28
Donovan®/Shurco® Replacement Parts	30
Mountain Tarp® Replacement Parts	32
Roll Rite® Replacement Parts	34
CONSTRUCTION & LANDSCAPE	
Cab Level Wind Tarp System	38
Pull Style Spring Return Tarp System	40
Safe-T-Lift™ System	42
RECYCLING & REFUSE	
Gantry Tarp System	45
Gantry Arms	50
Severe Duty Parts	52
Rack & Pinion♦ Parts & Tarps	58
AGRICULTURAL & SPECIALTY	
Cable Tarp System	60
Side Roll Tarp System	63
Belt & Ratchet Tarp System	66
Side Dump Tarp System	68
TARPS	
Traditional Heavy Duty Tarps	70
Standard Welded Tarps	71
MASTER CROSS REFERENCE	72

- Universal 5-bolt hole mounting pattern.
- Replaces most competitor tarp motors on front to back systems.
- Chrome cover mounting plate, electrical connection and all mounting hardware included.
- Manufacturer's 40-month warranty based on the date of manufacture.

Bulletproof Slim Motor (50:1)
Rated for 8' - 26'



Part #13655

Bulletproof Slim Chrome Cover



Part #15859

Bulletproof Top Chrome Cover



Part #15745

BP Hydraulic Tarp Motor (60:1)



Part #14370

Bulletproof Tarp Motor (60:1)
Rated for 15' - 34'



Part #13732

Bulletproof Tarp Motor (90:1)
Rated for 28' - 38'



Part #13957

24v Bulletproof Tarp Motor (90:1)
Rated for 12' - 38'



Part #15275

HD Bulletproof Tarp Motor (90:1)
Rated for 28' - 45'



Part #15938

Powerhouse Heavy Duty
Tarp Motor



Part #11248

Bulletproof Motor with Keyway in Shaft (90:1)
Rated for 12' - 38'



Part #13957-KEYWAY

Bulletproof Dual Shaft Tarp Motor (90:1)
Rated for 28' - 30'



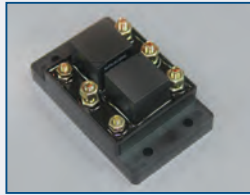
Part #13957-Dual

Wireless Remote Kit



Part #15416

EZ Switch Relay with Cover



Part #13994 (cover not shown)

EZ Switch Kit



Part #12250-Rocker

Waterproof EZ Switch Kit



Part #12250-Waterproof

Rocker Switch



Part #13979

Rotary Switch



Part #11129

Rotary Switch Kit



Part #11479

Waterproof Rotary Switch Kit



Part #15370

40 AMP Manual Reset
50 AMP Auto Reset



40 AMP Part #11156
50 AMP Part #13720

Waterproof Auto Reset Breaker
with Mounting Tabs



40 AMP Part #16009
50 AMP Part #16015

Trombetta Direct
Replacement Relay



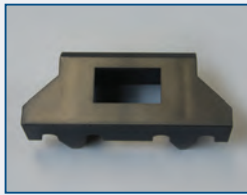
Part #12244

EZ Relay Switch Integrated Cover



Part #10698-C

Poly Rocker Switch Bracket



Part #10390

Electric Conversion Kit



Part #12224
Part #12224-BP

Dual Conductor Wire



4GA. Part #14885
6GA. Part #11147
8GA. Part #11279

5-Button Remote Assembly



Part #15563

EZ Switch Plastic Cover



Part #14256

Complete Coiled Wiring Kit



Part #14993-VKIT
Part #14993-HKIT

Vertical or Horizontal
Plug Kit



Part #11264
Part #14566

Trailer Contact Plate



Part #14995

Crank Kit



Part #12250

Control Box for Gantry
Wireless Standard Control Box



No Remote - Part #16302
Wireless - Part #16109

Electric Motor Conversion
with Easy Switch Kit



Part #12224EZ-KIT

Quick Connect Pair



Part #14316

AXLE, HOUSING KITS & MISCELLANEOUS

PART #	DESCRIPTION
BEARINGS - US TARP	
11139	3/4" Stamped Steel Flange Bearing, 2-3/4" C.D.
14533	1" Cast Iron Pillow Block Bearing, 4-1/2" C.D.
15629	1" Narrow Cast Iron Flange Bearing, 3" C.D.
14130	1" Stamped Steel Pillow Block Bearing, 3-25/64" C.D.
15630	3/4" Narrow Cast Iron Flange Bearing, 2-3/4" C.D.
14906	1-1/4" Square Mount Flange Mount Bearing, 3-1/2" Square Mount (4-hole) C.D.
14859	1" Stamped Steel Flange Bearing, 3" C.D.
14133	1" Cast Iron Flange Mount Bearing, 3-15/16" C.D.
14150	3/4" Diameter Chevron Bearing, 1" Chevron bearing pattern (3-hole) C.D.
BEARINGS - AERO®	
0710-602155	1" Stamped Steel Flange Bearing, 3-1/4" C.D.
BEARINGS - DONOVAN®/SHURCO®	
145/1800042	3/4" Stamped Steel Flange Bearing, 3-1/4" C.D.
3346/1801243	1" Stamped Steel Flange Bearing 3-1/4" C.D.
BEARINGS - MOUNTAIN TARP®	
K0520	1" Pillow Block Bearing, 4-1/2" C.D.
K0515H	7/8" Hex Cast Iron Flange Bearing, 3-57/64" C.D.
K0520H	7/8" Hex Cast Iron Pillow Block Bearing, 4-1/8" C.D.
K0515	1" Cast Iron Flange Mount Bearing, 3-15/16" C.D.
BEARINGS - ROLL RITE®	
31050	3/4" Cast Steel Flange Bearing, 2-3/4" C.D.
47800	1-1/4" Carrier Bearing, 3" C.D.
ADDITIONAL PARTS	
11201	5" Spool Shaft
13943	1-1/2" Tarp Axle Cap
16091	Tarp Hardware Kit for HD Axle
16092	Tarp Hardware Kit for STD Axle
12550	Ground Level Crank Box Kit with 12' chain & top sprocket shaft
11668	Ground Level Crank Box
11285	#40 Chain with Master Link, 12 ft.
12230	Steel Chain Guard
11303	Aluminum Stop Bracket Kit
14730	4" Rear Cable Pulley
15523	Shephard Hook Assembly
0311-962085	Plastic Insert A-Black and B-White (two-piece)
AXLE KITS	
11200-KIT	101-5/8", 2" Diam, HD Tarp Axle Kit includes: Spool Shaft, Bearing & Plates
13967-KIT	103", 1-1/2" Diam, Hollow Tarp Axle Kit Includes: Spool Shaft, End Caps, Bearing & Plates
14939	91" Pre-Threaded Tarp Axle w/ Stub Shaft
14940	97" Pre-Threaded Tarp Axle w/ Stub Shaft
14941	101-5/8" Pre threaded Tarp Axle w/ stub shaft
WIND DEFLECTOR KITS	
11380-ADD	97" Aluminum Wind Deflector & Mounting Bracket kit
11208-ADD	103" Aluminum Wind Deflector & Mounting Bracket kit
14870-ASM	102" HD Radius Wind Deflector & Mounting Bracket kit
HOUSING KITS	
16116	96" Wide Fully ASSEMB Open Top Housing w/ 90:1 motor
16117	102" Wide Fully ASSEMB Open Top Housing w/ 90:1 motor
GANTRY HOUSINGS	
16262	Aluminum Gantry Housing 98" Wide
16262-XL	XL Aluminum Gantry Housing 98" Wide
GANTRY HOUSING KITS	
16262-ELEC	Aluminum Housing 98" Wide, ASSEMB w/ BP 60:1 Motor, Axle, & Spool Shaft
16262-HYD	Aluminum Housing 98" Wide, ASSEMB w/ BP 60:1 Hydraulic Motor, Axle, & Spool Shaft

ARM KITS

PART #	DESCRIPTION	COVER LENGTH
ALUMINUM ARM KITS		
13433	3-Spring External Mount Aluminum Arm Kit	12 ft
11564	4-Spring External Mount Aluminum Arm Kit	24 ft
12365	5-Spring External Mount Aluminum Arm Kit	26 ft
LOWER ARM KITS		
4643	3-Spring External Mount Lower Arm Kit, 31" Length	12 ft
4644	4-Spring External Mount Lower Arm Kit, 60" Length	24 ft
4645	5-Spring External Mount Aluminum Lower Arm Kit, 84" Length	26 ft
UNDERBODY COMPLETE ARM KITS		
13436	15 Coil U-B Mount Aluminum Arm Kit, 84" Lower Arms	26 ft
11447	15 Coil U-B Mount Aluminum Arm Kit, 144" Lower Arms	38 ft
UPPER BOW SET		
7670	Aluminum Tarp Bow Set	—
STEEL ARM KITS		
12223	4-Spring External Mount Steel Arm Kit	24 ft
12254	5-Spring External Mount Steel Arm Kit	26 ft
<i>*Add -BA for upper bent arms</i>		
STEEL LOWER ARM KITS		
12367	4-Spring External Mount Steel Lower Arm Kit, 36" Length	24 ft
13405	5-Spring External Mount Steel Lower Arm Kit, 48" Length	26 ft
<i>*Add -BA for upper bent arms</i>		
STEEL UNDERBODY ARM KITS		
12266	15 Coil U-B Mount Steel Arm Kit, 63" Lower Arms	26 ft
14575	15 Coil U-B Mount Steel Arm Kit, 84" Lower Arms	28 ft
14576	10-Spring U-B Steel Arm Kit, 126" Lower Arms	38 ft
14577	15 Coil U-B Steel Arm Kit, 126" Lower Arms	38 ft
<i>*Add -BA for upper bent arms</i>		
STEEL UPPER BOW SET		
11568	Steel Tarp Bow Set	—
<i>*Add -BA for upper bent arms</i>		
BULLETPROOF ARM KITS		
15324	4-Spring External Mount Bulletproof Arm Kit, 144" Arms	20 ft
14492	4-Spring External Mount Bulletproof Arm Kit, 168" Arms	24 ft
16392	5-Spring External Mount Bulletproof Arm Kit, 168" Arms	24 ft
<i>*Add -BA for upper bent arms</i>		
UNDERBODY BULLETPROOF COMPLETE ARM KITS		
13778	15 Coil U-B Bulletproof Arm Kit, 168" Arms	26 ft
13806	15 Coil U-B Bulletproof Arm Kit, 192" Arms	30 ft
14578	10-Spring U-B Bulletproof Arm Kit, 240" Arms	38 ft
16331	2-13 Coil HD U-B Bulletproof Arm Kit, 288" Arms	45 ft
<i>*Add -BA for upper bent arms (-BA not available on HD)</i>		

ELBOW KITS & CENTERING FLANGES





PART #	DESCRIPTION
US TARP ALUMINUM	
11301	Aluminum Elbow Kit, 30 Deg.
11302	Aluminum Elbow Kit, 45 Deg.
11231	Plastic Centering Flange, Each
14942	Rubber Tarp Centering Flange, 2-1/2" diam. Each
US TARP STEEL	
13845	Steel Elbow Kit, 30 Deg.
13546	Steel Elbow Kit, 45 Deg.
13941	Rubber Tarp Centering Flange Each 1.315" diam. (Requires Tarp Collar Clamp #13913)
13913	Tarp Collar Clamp Each (Required with Rubber Tarp Centering Flange #13941)
US TARP BULLETPROOF	
15606	Bulletproof Elbow, 30 Deg. Each
13632	Centering Flange for Standard Steel Cross Tube, 1.3" I.D. Each
13632-1.8	Centering Flange for Aluminum 3-Piece Cross Tube, 1.8" I.D. Each
16373	Rubber Centering Flange Kit, 1.3" I.D. w/ Bolts
16374	Rubber Centering Flange Kit, 1.8" I.D. w/ Bolts
AERO®	
0311-862277	Rubber Tarp Centering Flange Each (Requires Tarp Collar Clamp #13913)
13913	TTarp Collar Clamp Each (Required with Rubber Tarp Centering Flange #0311-862277)
0311-862272	Teardrop shape Rubber Centering Flange
DONOVAN®/SHURCO®	
3771N/1802010	Donovan/Shurco Rubber Centering Flange. Each
MOUNTAIN TARP®	
K0420D	Rubber Centering Flange for Steel or Aluminum Crossover, 4-1/2" I.D.
ROLL RITE®	
76900	Aluminum Elbow, 30 Deg. Each
76910	Aluminum Elbow, 45 Deg. Each
76915	Aluminum Extreme Elbow, 45 Deg. Each
76810	Plastic Center Flange. Pair
15369	Rubber Centering Flange. Each

SPRING KITS


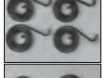

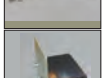


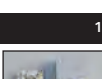
PART #	DESCRIPTION
EXTERNAL MOUNTS	
11244-D	3-Spring Lower Aluminum Arm, 31" Long Assembly. Driver Side
11244-P	3-Spring Lower Aluminum Arm, 31" Long Assembly. Passenger Side
14084-D	4-Spring Lower Aluminum Arm, 48" Long Assembly. Driver Side
14084-P	4-Spring Lower Aluminum Arm, 48" Long Assembly. Passenger Side
11243-D	4-Spring Lower Aluminum Arm, 60" Long Assembly. Driver Side
11243-P	4-Spring Lower Aluminum Arm, 60" Long Assembly. Passenger Side
11242-D	5-Spring Lower Aluminum Arm, 84" Long Assembly. Driver Side
11242-P	5-Spring Lower Aluminum Arm, 84" Long Assembly. Passenger Side
15400-DRIVER	4-Spring Cast Assembly for Bulletproof System. Driver Side
15399-PASS	4-Spring Cast Assembly for Bulletproof System. Passenger Side
14191-FENDER	7-Spring Fender Mount Assembly for Bulletproof System. Driver Side
14192-FENDER	7-Spring Fender Mount Assembly for Bulletproof System. Passenger Side
14362	7-Spring U-B Assembly w/out Mounting Plate for Aluminum or Steel System. Driver Side
14363	7-Spring U-B Assembly w/out Mounting Plate for Aluminum or Steel System. Passenger Side
16265-DRIVER	5-Spring Lower Cast Assembly for Bulletproof System. Driver Side
16265-PASS	5-Spring Lower Cast Assembly for Bulletproof System. Passenger Side
16255	5-Spring Lower Arm Assembly for Bulletproof. Driver Side
16256	5-Spring Lower Arm Assembly for Bulletproof System. Passenger Side
UNDERBODY MOUNTS	
13954-FENDER	10-Spring U-B Assembly Fender Mount for Aluminum or Steel System. Driver Side
13955-FENDER	10-Spring U-B Assembly Fender Mount for Aluminum or Steel System. Passenger Side
13954	10-Spring U-B Assembly for Aluminum or Steel System. Driver Side
13955	10-Spring U-B Assembly for Aluminum or Steel System. Passenger Side
14403	10-Spring U-B Assembly w/out Mounting Plate for Aluminum or Steel System. Driver Side
14404	10-Spring U-B Assembly w/out Mounting Plate for Aluminum or Steel System. Passenger Side
14966	13 Coil HD U-B Spring Assembly for Bulletproof System. Driver Side
14967	13 Coil HD U-B Spring Assembly for Bulletproof System. Passenger Side
16096L	2-15 Coil HD U-B Spring Box for Bulletproof System. Driver Side
16096R	2-15 Coil HD U-B Spring Box for Bulletproof System. Passenger Side
16096L	Driver Side HD UB 2-15 Coil Spring Box
16096R	Passenger Side HD UB 2-15 Coil Spring Box
AERO®	
0311-960346	14 Coil, Undermount Spring Assembly for AE. Driver Side
0311-960347	14 Coil Undermount Spring Assembly for AE. Passenger Side
0311-960389	3 Spring Power Pack Assembly for AE. One Side Only
DONOVAN®/SHURCO®	
8001/1801804	4-Spring Lower External Mount Pivot Arm Assembly for Donovan/Shurco. Driver Side
8002/1801805	4-Spring Lower External Mount Pivot Arm Assembly for Donovan/Shurco.. Passenger Side
3072	21-Spring U-B Spring Assembly for Donovan/Shurco.. Driver Side
3073	21-Spring U-B Spring Assembly for Donovan/Shurco. Passenger Side
4227	14 Coil U-B Spring Assembly for Donovan/Shurco. Passenger Side
4230	14 Coil U-B Spring Assembly for Donovan/Shurco. Driver Side
MOUNTAIN TARP®	
K0260C	4-Spring Casting Assembly for MT. Driver Side
K0261C	4-Spring Casting Assembly for MT. Passenger Side
K0260A	4-Spring Clock Spring Assembly for MT. Driver Side
K0261A	4-Spring Clock Spring Assembly for MT. Passenger Side
K0260	5-Spring Clock Spring Assembly for MT. Driver Side
K0261	5-Spring Clock Spring Assembly for MT. Passenger Side
K0207	14 Coil U-B Spring Assembly w/ Hex Shaft for MT. Passenger Side
K0208	14 Coil U-B Spring Assembly w/ Hex Shaft for MT. Driver Side
K0209	14 Coil U-B Spring Assembly w/ Hex Shaft & Connector. Channel not included. Passenger Side
K0214	14 Coil U-B Spring Assembly w/ Hex Shaft & Connector. Channel not included. Driver Side
ROLL RITE®	
4645D	5-Spring Lower External Mount Pivot Arm Assembly for RR. Driver Side
4645P	5-Spring Lower External Mount Pivot Arm Assembly for RR. Passenger Side
46470	6-Spring External Top Mount Assembly for RR. Driver Side
46480	6-Spring External Top Mount Assembly for RR. Passenger Side
47400	8-Spring U-B Pivot Pin Assembly for RR. Driver Side
47410	8-Spring U-B Pivot Pin Assembly for RR. Passenger Side
47470	8-Spring Fender Mount Spring Assembly for RR. Driver Side
47480	8-Spring Fender Mount Spring Assembly for RR. Passenger Side
1039157LH	12-Spring Fender Assembly for RR. Driver Side
1039157RH	12-Spring Fender Assembly for RR. Passenger Side
103625LH	16-Spring Fender Assembly for RR. Driver Side
103625RH	16-Spring Fender Assembly for RR. Passenger Side

SPECIFICATIONS





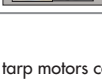
Tarp Arm Specifications

	10ft	12ft	14ft	16ft	18ft	20ft	22ft	24ft	26ft	28ft	30ft	32ft	34ft	36ft	38ft	40ft	42ft	44ft	46ft	
 Aluminum	3 Sp ExMt	4 Spring External Mount				5 Sp ExMt		84" Underbody (UB) Mount Spring		96" UB	144" Underbody (UB) Mount Spring		192" UB							
	 Galvanized Steel	4 Spring External Mount				5 Sp ExMt		63" Underbody (UB) Mount Spring		84" UB	126" Underbody (UB) Mount Spring									
 Bulletproof Aluminum		4 & 5 Spring External Mount				168" Underbody (UB) Mount Spring		192" UB		210" UB	240" UB									
	 HD Bulletproof*																	288" Severe Duty UB		

Tarp Spring Specifications

	8ft	10ft	12ft	14ft	16ft	18ft	20ft	22ft	24ft	26ft	28ft	30ft	32ft	34ft	36ft	38ft	40ft	42ft	44ft	46ft
 3 Spring Ex. Mount																				
 4 Spring External Mount																				
 5 Spring External Mount																				
 15 Coil Underbody Spring																				
 7 Spiral Torsion Underbody Spring																				
 10 Spiral Torsion Underbody Spring																				
 HD 13 Coil Spring																				

Tarp Motor Specifications

	10ft	12ft	14ft	16ft	18ft	20ft	22ft	24ft	26ft	28ft	30ft	32ft	34ft	36ft	38ft	40ft	42ft	44ft	46ft	
 Bulletproof Slim 50:1 Tarp Motor																				
 Bulletproof Slim 90:1 Tarp Motor																				
 Bulletproof 60:1 Tarp Motor																				
 Bulletproof 90:1 Tarp Motor																				
 Bulletproof HD 90:1 Tarp Motor/Powerhouse HD Tarp Motor																				

*All tarp motors can operate on less length than recommended, but they will operate slower than the recommended tarp motor.

SYSTEM ADD-ONS

EZ Switch



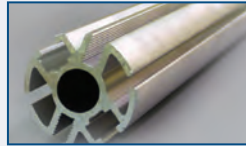
Add -EZ to System

Rotary Switch Kit



Part #11479

Heavy Duty Tarp Axle



Add -HD to System

Heavy Duty 60:1 Motor



Add -BP to System

Heavy Duty 90:1 Motor



Add -BP to System

Aluminum 30 Degree & 45 Degree Elbow Kit



Part #11301 & 11302

Steel 30 Degree & 45 Degree Elbow Kit



Part #13845 & 13546

Bent Arms



Add -BA to Steel System

4 Housing Support Braces



Part #13606

2 Open Top Housing Support Braces



Part #14836

Tension Hoop



Part #12372

Galvanized Steel Tension Bow



Part #7671S

BP Tension Bow



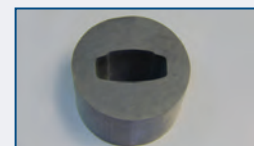
Part #7671-BP

Ground Level Manual Crank



Add -GLC to System

Rubber Center Flanges



Add -CEN to System

Dual Conductor Plug Sets



Vert. Part #11264
Horiz. Part #14566

Quick Connects



Part #14316

Arm Locks



Part #14997

Wireless Remote



Add -WL to System

Single Box



Part #1 Box

Stainless Steel Hardware



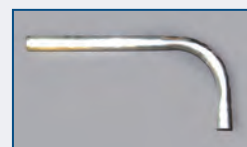
Add -SS to System

Single Aluminum Cross Tube with Casting Elbows



Add -AL to System

Steel Cross Tube for 102" Wide Body



Add -102 to System

Hybrid Aluminum & Steel Cross Tube



Add -HY to System

ALUMINUM EXTERNAL MOUNT SYSTEMS

PART #	DESCRIPTION
--------	-------------

**ALUMINUM 3-SPRING EXTERNAL MOUNT SYSTEM
STANDARD DUTY KIT
FITS 12' OR LESS**

11417	Base System - No Wind Deflector or Housing
11422	97" Wide Wind Deflector
11423	103" Wide Wind Deflector
14998	102" Wide Smooth Wind Deflector
14999	Open Top Aluminum Housing, Up to 102" Wide
11428	92" Wide Aluminum Housing
11429	98" Wide Aluminum Housing
11430	104" Wide Aluminum Housing

**ALUMINUM 4-SPRING EXTERNAL MOUNT SYSTEM
STANDARD DUTY KIT
FITS 12'-24'**

11529	Base System - No Wind Deflector or Housing
11530	97" Wide Wind Deflector
11531	103" Wide Wind Deflector
15000	102" Wide Smooth Wind Deflector
15001	Open Top Aluminum Housing, Up to 102" Wide
11532	92" Wide Aluminum Housing
11533	98" Wide Aluminum Housing
11534	104" Wide Aluminum Housing
-20	12' - 20' Openings

**ALUMINUM 5-SPRING EXTERNAL MOUNT SYSTEM
STANDARD DUTY KIT
FITS UP TO 26'**

11419	Base System - No Wind Deflector or Housing
11426	97" Wide Wind Deflector
11427	103" Wide Wind Deflector
15002	102" Wide Smooth Wind Deflector
15003	Open Top Aluminum Housing, Up to 102" Wide
11434	92" Wide Aluminum Housing
11435	98" Wide Aluminum Housing
11436	104" Wide Aluminum Housing

ALUMINUM UNDERBODY MOUNT SYSTEMS

PART #	DESCRIPTION
--------	-------------

**84" UNDERBODY MOUNT ALUMINUM SYSTEM
STANDARD DUTY KIT
FITS UP TO 26'**

11535	Base System - No Wind Deflector or Housing
11437	97" Wide Wind Deflector
11438	103" Wide Wind Deflector
15022	102" Wide Smooth Wind Deflector
15023	Open Top Aluminum Housing, Up to 102" Wide
11439	92" Wide Aluminum Housing
11440	98" Wide Aluminum Housing
11441	104" Wide Aluminum Housing
-96	Up to 28' Trailer

**144" UNDERBODY MOUNT ALUMINUM SYSTEM
STANDARD DUTY KIT
FITS 38' OR LESS**

11421	Base System - No Wind Deflector or Housing
11442	97" Wide Wind Deflector
11443	103" Wide Wind Deflector
15032	102" Wide Smooth Wind Deflector
15033	Open Top Aluminum Housing, Up to 102" Wide
11444	92" Wide Aluminum Housing
11445	98" Wide Aluminum Housing
11446	104" Wide Aluminum Housing

**192" UNDERBODY MOUNT ALUMINUM SYSTEM
STANDARD DUTY KIT
FITS UP TO 40'**

15034	Base System - No Wind Deflector or Housing
15035	97" Wide Wind Deflector
15036	103" Wide Wind Deflector
15037	102" Wide Smooth Wind Deflector
15038	Open Top Aluminum Housing, Up to 102" Wide
15039	92" Wide Aluminum Housing
15040	98" Wide Aluminum Housing
15041	104" Wide Aluminum Housing

ALUMINUM

PART #	DESCRIPTION	COVER LENGTH
EXTERNAL ARM KITS		
13433	3-Spring External Mount Aluminum Arm Kit	12 ft
11564	4-Spring External Mount Aluminum Arm Kit	24 ft
12365	5-Spring External Mount Aluminum Arm Kit	26 ft
LOWER ARM KITS		
4643	3-Spring External Mount Lower Arm Kit, 31" Length	12 ft
4644	4-Spring External Mount Lower Arm Kit, 60" Length	24 ft
4645	5-Spring External Mount Aluminum Lower Arm Kit, 84" Length	26 ft
UNDERBODY ARM KITS		
13436	15-Coil U-B Mount Aluminum Arm Kit, 84" Lower Arms	26 ft
11447	15-Coil U-B Mount Aluminum Arm Kit, 144" Lower Arms	38 ft
UPPER BOW SET		
7670	Aluminum Tarp Bow Set	—
7671	Tension Bow	—
12372	Tension Hoop	—

4-Spring Aluminum Arm Kit



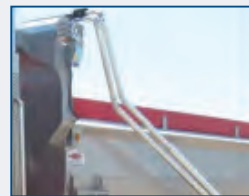
Part #11564

Upper Aluminum Tarp Bow Kit



Part #7670

Tension Bow Kit



Part #7671

Tension Hoop Kit



Part #12372

Heavy Duty 60:1 Motor



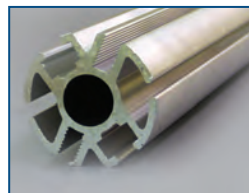
Add -BP to System #

EZ Switch



Add -EZ to System #

Heavy Duty Axle



Add -HD to System #

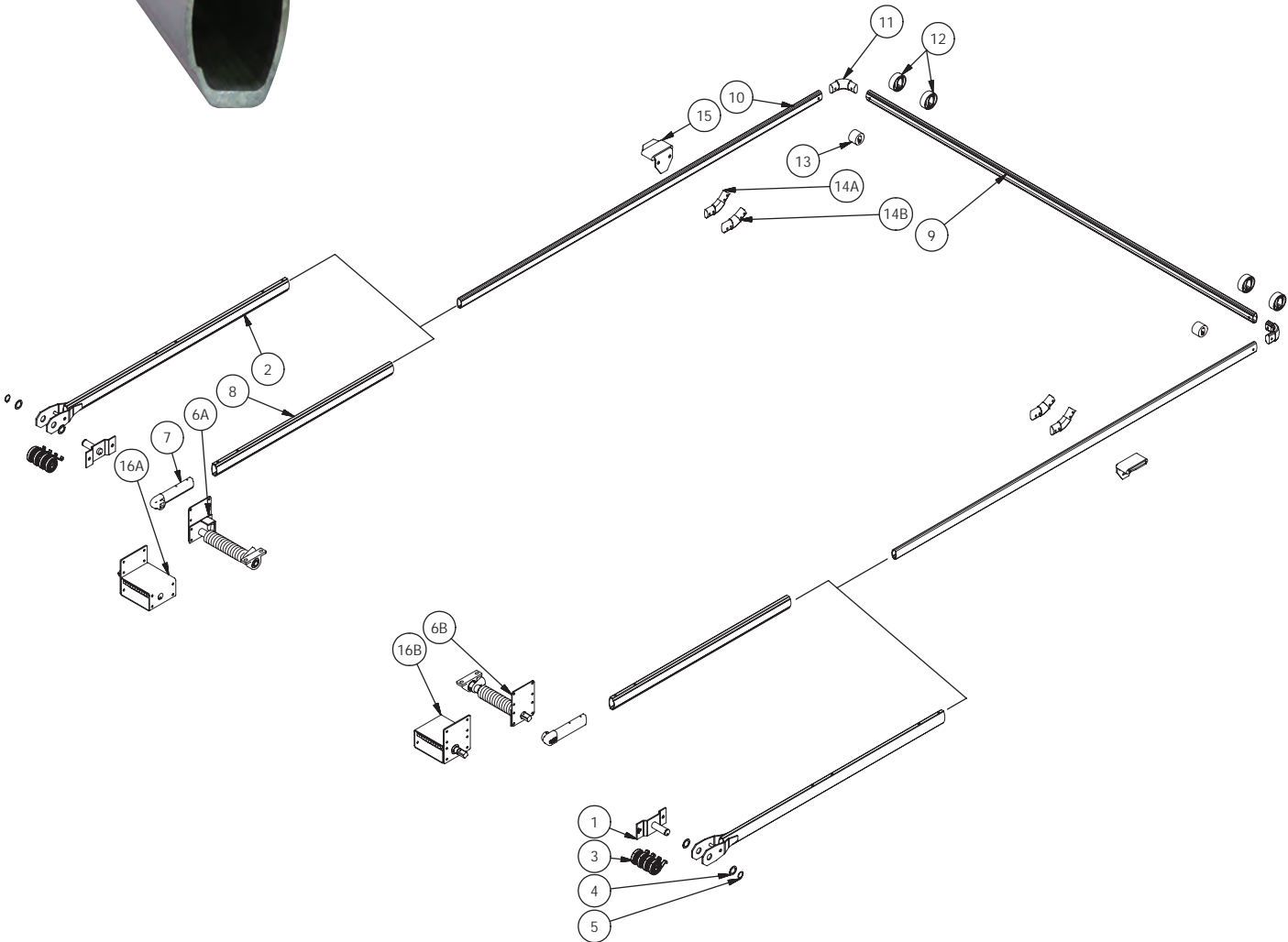
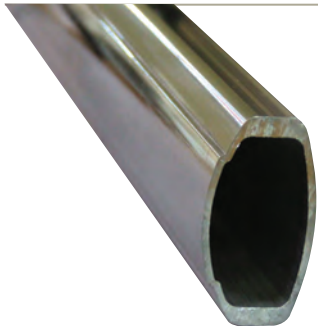
Electric to Ground Level Crank



Add -GLC to System #

**Item not shown. *Oversized items, over length shipping rates apply.

ALUMINUM



ALUMINUM

REF.	QTY	PART #	DESCRIPTION
------	-----	--------	-------------

EXTERNAL MOUNT ALUMINUM ARMS

1	2	11183	3-Spring Pivot Pin
1	2	11132	4-Spring Pivot Pin
1	2	11272	5-Spring Pivot Pin
2	2	11244	3-Spring Lower Aluminum Arm, 31" Length
2	2	14084	4-Spring Lower Aluminum Arm, 48" Length
2	2	11243	4-Spring Lower Aluminum Arm, 60" Length
2	2	11242	5-Spring Lower Aluminum Arm, 84" Length
3	8	11121	Spiral Torsion Spring
4	4	11141	Stainless Steel Bushing for Pivot Pin
5	2	11142	External Retaining Ring for Pivot Pin
**	1	13523	Hardware Kit for External Mount Lower Arms

UNDERBODY ALUMINUM ARMS & ASSEMBLY OPTIONS

6A	1	11224	15 Coil U-B Spring Assembly. Passenger Side
6B	1	11225	15 Coil U-B Spring Assembly. Driver Side
7	2	11226	Aluminum Arm U-B Casting
8	2	11228	Aluminum U-B Lower Arm, 84" Length
8	2	14971	Aluminum U-B Lower Arm, 96" Length
8	2	11227	Aluminum U-B Lower Arm, 144" Length*
8	2	14972	Aluminum U-B Lower Arm, 192" Length*

ALUMINUM UPPER ARMS

9	1	11232	Aluminum Cross Tube, 105-1/2" Long
10	2	11236	Aluminum Upper Side Arm w/ Corner, 98" Long
10	2	14600	Aluminum Upper Side Arm w/ Corner, 122" Long*
11	2	11235	Aluminum Corner, 90 Deg.
12	4	11231	Plastic Tarp Centering Flange
**	1	14073	Hardware Kit for Aluminum Upper Arms

OPTIONAL ITEMS

13	2	14942	2-1/2" Rubber Tarp Centering Flange
14A	2	11233	Aluminum Elbow, 45 Deg.
14B	2	11234	Aluminum Elbow, 30 Deg.
15	2	11177	Aluminum Stop Bracket with Rubber Bumper
16A	1	14191	7-Spring U-B Assembly. Driver Side
16B	1	14192	7-Spring U-B Assembly. Passenger Side
16A	1	13954	10-Spring U-B Assembly. Driver Side
16B	1	13955	10-Spring U-B Assembly. Passenger Side

GALVANIZED STEEL EXTERNAL MOUNT SYSTEMS

PART #	DESCRIPTION
--------	-------------

**GALVANIZED STEEL 4-SPRING EXTERNAL MOUNT SYSTEM
STANDARD DUTY KIT
FITS 24' OR LESS**

11525	Base System - No Wind Deflector or Housing
11526	97" Wide Wind Deflector
11527	103" Wide Wind Deflector
15004	102" Wide Smooth Wind Deflector
15005	Open Top Aluminum Housing, up to 102" Wide
12323	92" Wide Aluminum Housing
11450	98" Wide Aluminum Housing
11451	104" Wide Aluminum Housing

**GALVANIZED STEEL 5-SPRING EXTERNAL MOUNT SYSTEM
STANDARD DUTY KIT
FITS 26' OR LESS**

11567	Base System - No Wind Deflector or Housing
12302	97" Wide Wind Deflector
12305	103" Wide Wind Deflector
15006	102" Wide Smooth Wind Deflector
15007	Open Top Aluminum Housing, up to 102" Wide
12336	92" Wide Aluminum Housing
12337	98" Wide Aluminum Housing
12338	104" Wide Aluminum Housing

GALVANIZED STEEL UNDERBODY MOUNT SYSTEM

PART #	DESCRIPTION
--------	-------------

**63" GALVANIZED STEEL UNDERBODY MOUNT SYSTEM
STANDARD DUTY KIT
FITS 26' OR LESS**

11540	Base System - No Wind Deflector or Housing
11558	97" Wide Wind Deflector
11559	103" Wide Wind Deflector
16529	102" Wide Smooth Wind Deflector
16530	Open Top Aluminum Housing, Up to 102" Wide
12262	92" Wide Aluminum Housing
12263	98" Wide Aluminum Housing
12264	104" Wide Aluminum Housing

**84" GALVANIZED STEEL UNDERBODY MOUNT SYSTEM
STANDARD DUTY KIT
FITS 28' OR LESS**

14121	Base System - No Wind Deflector or Housing
15008	97" Wide Wind Deflector
15009	103" Wide Wind Deflector
15010	102" Wide Smooth Wind Deflector
15011	Open Top Aluminum Housing, Up to 102" Wide
15012	92" Wide Aluminum Housing
15013	98" Wide Aluminum Housing
15014	104" Wide Aluminum Housing

**126" GALVANIZED STEEL UNDERBODY MOUNT SYSTEM
STANDARD DUTY KIT
FITS 38' OR LESS**

14221	Base System - No Wind Deflector or Housing
15015	97" Wide Wind Deflector
15016	103" Wide Wind Deflector
15017	102" Wide Smooth Wind Deflector
15018	Open Top Aluminum Housing, Up to 102" Wide
15019	92" Wide Aluminum Housing
15020	98" Wide Aluminum Housing
15021	104" Wide Aluminum Housing

GALVANIZED STEEL

PART #	DESCRIPTION	COVER LENGTH
GALVANIZED STEEL ARM KITS		
12223	4-Spring External Mount Steel Complete Arm Set	24 ft
12254	5-Spring External Mount Steel Complete Arm Set	26 ft
*Add -BA for upper bent arms		
GALVANIZED LOWER ARM KITS		
12367	4-Spring External Mount Steel Lower Arm Set - 36" Length	24 ft
13405	5-Spring External Mount Steel Lower Arm Set - 48" Length	26 ft
*Add -BA for upper bent arms		
GALVANIZED UNDERBODY COMPLETE ARM KITS		
12266	Underbody Mount Steel Complete Arm Set with 63" Lower Arms	26 ft
14575	Underbody Mount Steel Complete Arm Set with 84" Lower Arms	38 ft
14576	126" U-B Steel Complete Arm Set	—
14577	144" U-B Steel Complete Arm Set	—
*Add -BA for upper bent arms		
GALVANIZED UPPER BOW SET		
11568	Steel Tarp Bow Set	—
7671S	Galvanized Steel Tension Bow	—
*Add -BA for upper bent arms		

4-Spring Steel Arm Kit



Part #12223

Galvanized Steel Tension Bow



Part #7671S

Tension Hoop



Part #12372

Heavy Duty 60:1 Motor



Add -BP to System #

EZ Switch



Add -EZ to System #

Heavy Duty Axle



Add -HD to System #

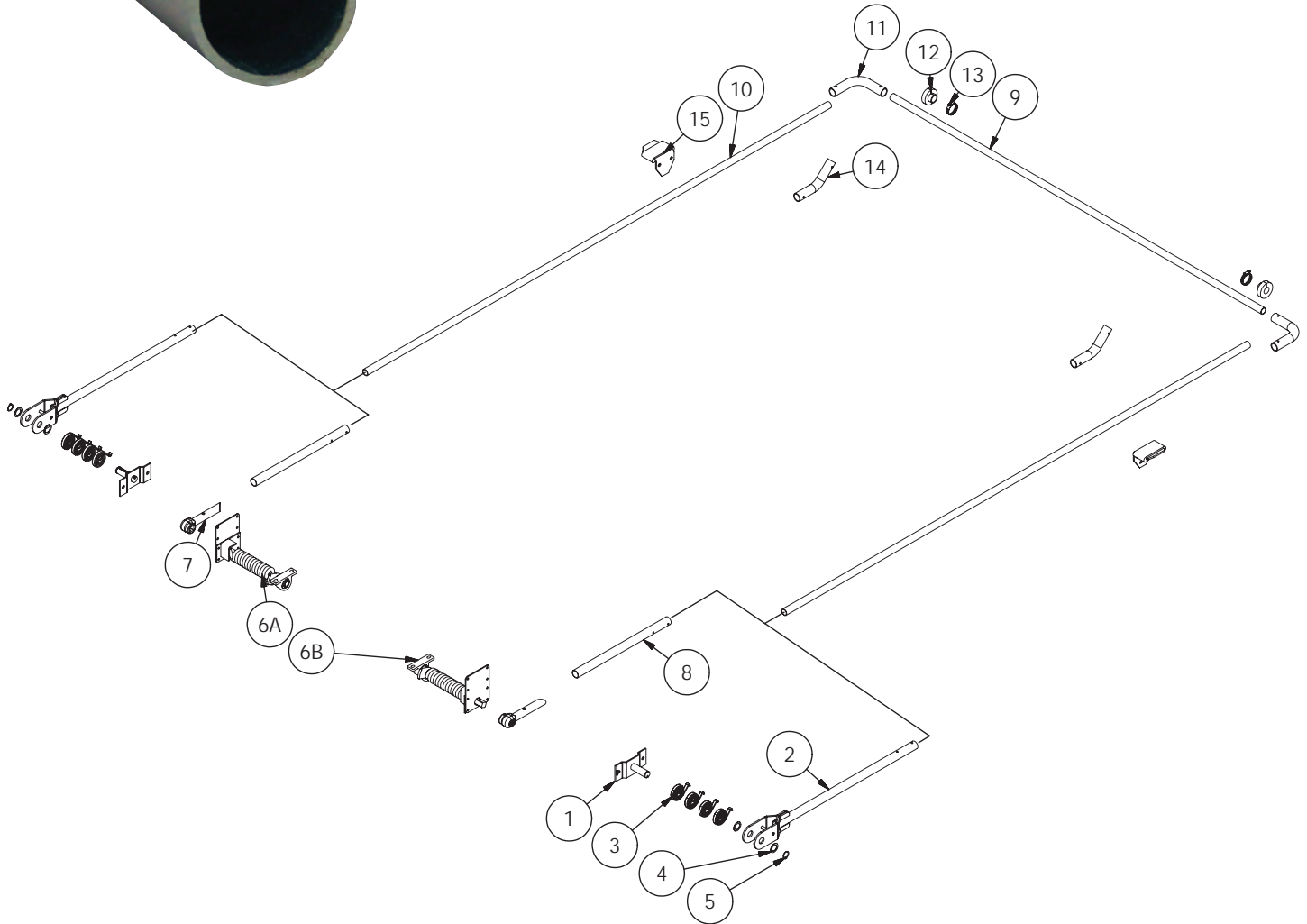
Electric to Ground Level Crank



Add -GLC to System #

**Item not shown. *Oversized items, over length shipping rates apply.

GALVANIZED STEEL



GALVANIZED STEEL

REF.	QTY	PART #	DESCRIPTION
------	-----	--------	-------------

EXTERNAL MOUNT GALVANIZED STEEL ARMS

1	2	11132	4-Spring Pivot Pin
1	2	11272	5-Spring Pivot Pin
2	2	11266	4-Spring Lower Steel Arm, 36" Length
2	2	11370	5-Spring Lower Steel Arm, 48" Length
3	8	11121	Spiral Torsion Spring
4	4	11141	Stainless Steel Bushing for Pivot Pin
5	2	11142	External Retaining Ring for Pivot Pin

UNDERBODY GALVANIZED STEEL ARMS & ASSEMBLY OPTIONS

6A	1	11224	15 Coil U-B Spring Assembly. Passenger Side
6B	1	11225	15 Coil U-B Spring Assembly. Driver Side
7	2	11358	Steel U-B Lower Arm Casting
8	2	13776	Steel U-B Lower Side Arm, 63" Length
8	2	13819	Steel U-B Lower Side Arm, 84" Length
8	2	13854	Steel U-B Lower Side Arm, 126" Length*

GALVANIZED STEEL UPPER ARMS

9	1	11269	Steel Cross Tube, 96" Long
10	2	11268	Steel Upper Side Arm, 120" Long*
11	2	11267	Steel Corner, 90 Deg.
12	2	13941	Rubber Tarp Centering Flange (Requires Tarp Collar Clamp #13913)
13	2	13913	Tarp Collar Clamp (Required with Rubber Tarp Centering Flange #13941)
**	1	14074	Hardware Kit for Upper Arms

OPTIONAL ITEMS

14	2	13468	Steel Elbow, 45 Deg.
14	2	13700	Steel Elbow, 30 Deg.
15	2	11177S	Steel Stop Bracket w/ Rubber Bumper

BULLETPROOF ALUMINUM EXTERNAL MOUNT SYSTEMS

PART #	DESCRIPTION
--------	-------------

**BULLETPROOF ALUMINUM 4-SPRING (144" ARMS)
STANDARD DUTY KIT
FITS UP TO 20****

15042	Base System - No Wind Deflector or Housing
15043	97" Wide Wind Deflector
15044	103" Wide Wind Deflector
15045	102" Wide Smooth Wind Deflector
15046	Open Top Aluminum Housing, Up to 102" wide
15047	92" Wide Aluminum Housing
15048	98" Wide Aluminum Housing
15049	104" Wide Aluminum Housing

**BULLETPROOF ALUMINUM 4-SPRING (168" ARMS)
STANDARD DUTY KIT
FITS UP TO 24****

14076	Base System - No Wind Deflector or Housing
14077	97" Wide Wind Deflector
14078	103" Wide Wind Deflector
15050	102" Wide Smooth Wind Deflector
15051	Open Top Aluminum Housing, Up to 102" Wide
14079	92" Wide Aluminum Housing
14080	98" Wide Aluminum Housing
14081	104" Wide Aluminum Housing

**BULLETPROOF ALUMINUM 5-SPRING (168" ARMS)
STANDARD DUTY KIT
FITS UP TO 24****

15466	Base System - No Wind Deflector or Housing
15467	97" Wide Wind Deflector
15468	103" Wide Wind Deflector
15469	102" Wide Smooth Wind Deflector
15470	Open Top Aluminum Housing, Up to 102" Wide
15471	92" Wide Aluminum Housing
15472	98" Wide Aluminum Housing
15473	104" Wide Aluminum Housing

BULLETPROOF ALUMINUM UNDERBODY MOUNT SYSTEMS

PART #	DESCRIPTION
--------	-------------

**168" BULLETPROOF ALUMINUM UNDERBODY SYSTEM
STANDARD DUTY KIT
FITS UP TO 26'**

13625	Base System - No Wind Deflector or Housing
15052	97" Wide Wind Deflector
15053	103" Wide Wind Deflector
15054	102" Wide Smooth Wind Deflector
15055	Open Top Aluminum Housing, Up to 102" Wide
15056	92" Wide Aluminum Housing
15057	98" Wide Aluminum Housing
15058	104" Wide Aluminum Housing
-144	Add to PN# For Up to 20' Trucks
-192	**For Up to 30' Trailer
-210	**For Up to 32'

**240" BULLETPROOF ALUMINUM UNDERBODY SYSTEM
STANDARD DUTY KIT
FITS UP TO 38'**

14503	Base System - No Wind Deflector or Housing
15073	97" Wide Wind Deflector
15074	103" Wide Wind Deflector
15075	102" Wide Smooth Wind Deflector
15076	Open Top Aluminum Housing, Up to 102" Wide
15077	92" Wide Aluminum Housing
15078	98" Wide Aluminum Housing
15079	104" Wide Aluminum Housing

**288" BULLETPROOF ALUMINUM EXTREME
UNDERBODY SYSTEM, STANDARD DUTY KIT
FITS UP TO 45'**

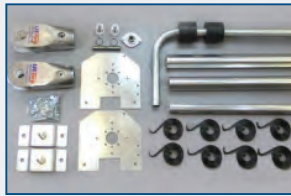
15087	Base System - No Wind Deflector or Housing
15088	XL Scrap Hauling Housing
-Wire	Trailer Wiring Instead of Contact Plate

BULLETPROOF ALUMINUM

PART #	DESCRIPTION	COVER LENGTH
BULLETPROOF ARM KITS		
15324	4-Spring External Mount Bulletproof Arm Kit, 144" Arms	20 ft
14492	4-Spring External Mount Bulletproof Arm Kit, 168" Arms	24 ft
16392	5-Spring External Mount Bulletproof Arm Kit, 168" Arms	24 ft
*Add -BA for upper bent arms		

UNDERBODY BULLETPROOF COMPLETE ARM KITS		
13778	15 Coil U-B Bulletproof Arm Kit, 168" Arms	26 ft
13806	15 Coil U-B Bulletproof Arm Kit, 192" Arms	30 ft
14578	10-Spring U-B Bulletproof Arm Kit, 240" Arms	38 ft
16331	2-13 Coil HD U-B Bulletproof Arm Kit, 288" Arms	45 ft
7671-BP	Bulletproof Tension Bow	—
12372	Tension Hoop	—
*Add -BA for upper bent arms (-BA not available on HD)		

4-Spring External Mount
Bulletproof Arm Kit, 144" Arms



Part #15324

Bulletproof Tension Bow



Part #7671-BP

Tension Hoop



Part #12372

Heavy Duty 60:1 Motor



Add -BP to System #

EZ Switch



Add -EZ to System #

Heavy Duty Axle



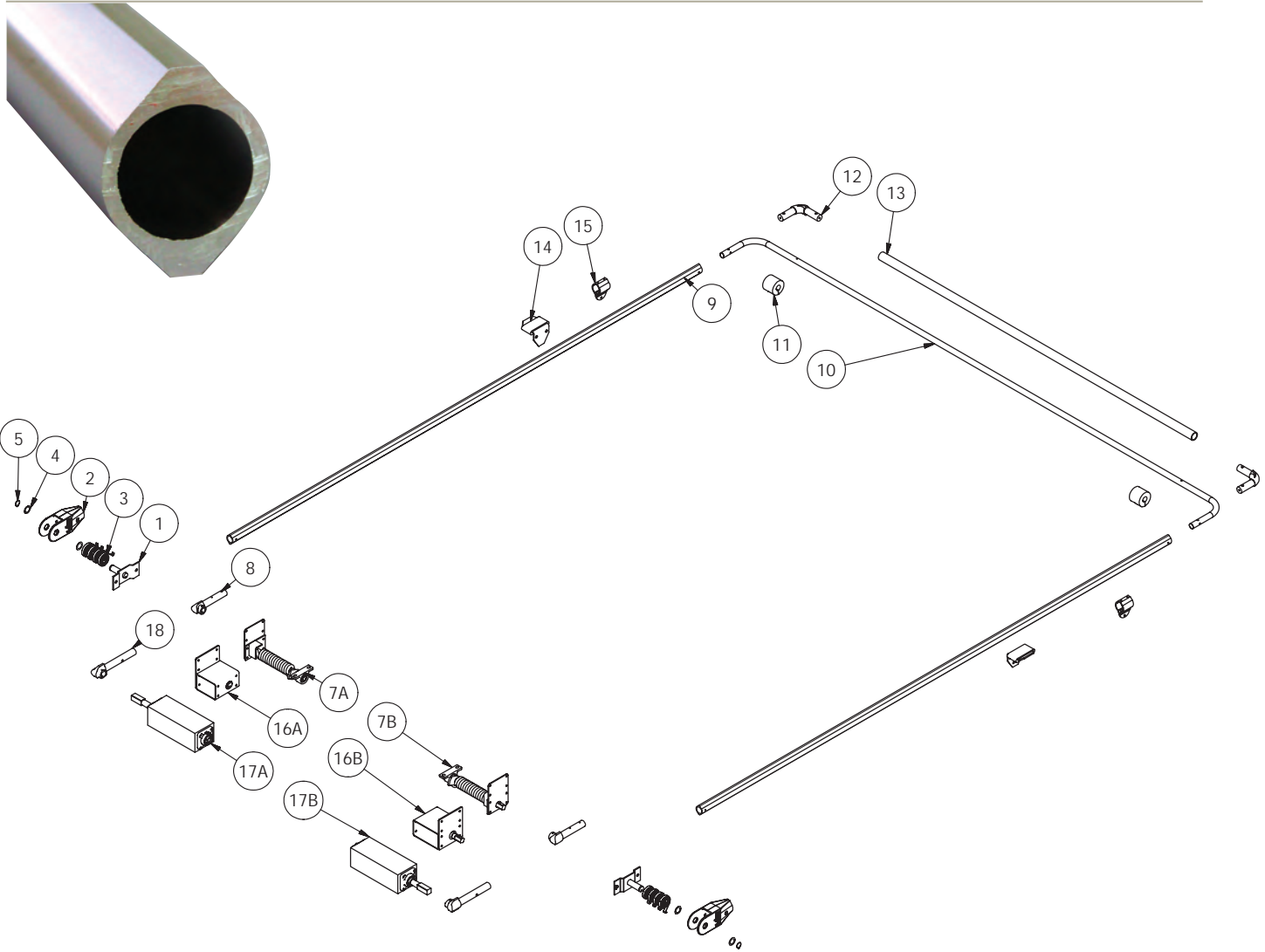
Add -HD to System #

Electric to Ground Level Crank



Add -GLC to System #

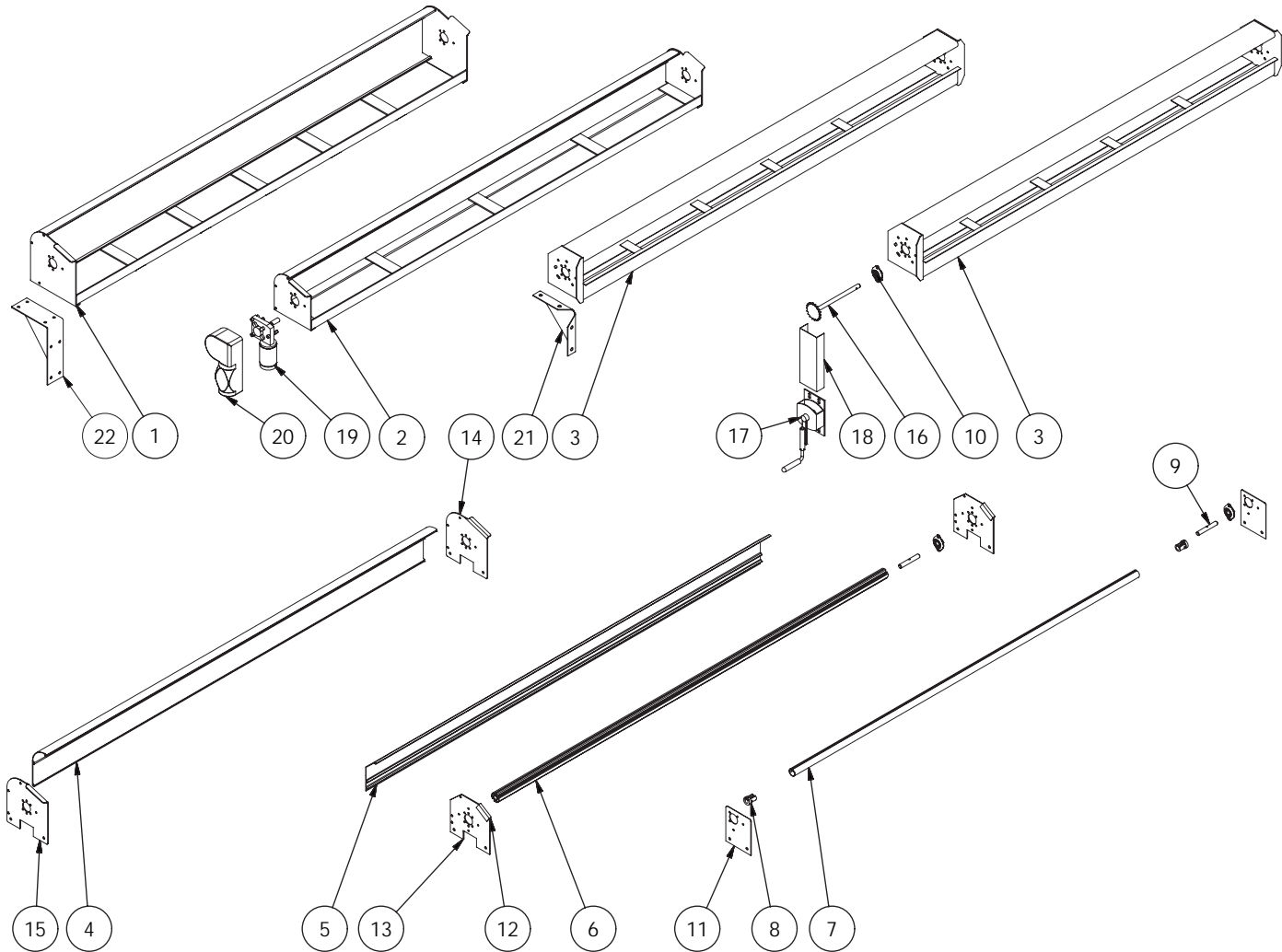
BULLETPROOF ALUMINUM



BULLETPROOF ALUMINUM

REF.	QTY	PART #	DESCRIPTION
EXTERNAL MOUNT BULLETPROOF ALUMINUM ARMS			
1	2	11132	4-Spring Pivot Pin
2	2	13942	4-Spring External Mount Two-Piece Casting for Bulletproof Arm
**	2	16093	5-Spring External Mount Casting
3	8	11121	Spiral Torsion Spring
4	4	11141	Stainless Steel Bushing for Pivot Pin
5	2	11142	Retaining Ring for Pivot Pin
**	4	14434	Brass Bushing for 5-Spring Only
**	1	16080	Hardware Kit for External Mount 4-Spring Lower Arms
UNDERBODY BULLETPROOF ALUMINUM ARMS & ASSEMBLY OPTIONS			
7A	1	11224	Bulletproof U-B Spring Assembly. Passenger Side
7B	1	11225	Bulletproof U-B Spring Assembly. Driver Side
8	2	13634	Bulletproof U-B Arm Casting
17A	1	14967	Bulletproof HD U-B Spring. Passenger Side
17B	1	14966	Bulletproof HD U-B Spring. Driver Side
18	2	15717	Bulletproof HD U-B Casting
**	1	16082	Hardware Kit for Standard Underbody Mount Lower
**	1	16083	Hardware Kit for Heavy Duty Underbody Mount Lower
BULLETPROOF ALUMINUM ARMS			
9	2	14877	Bulletproof Aluminum Arm, 144" Length*
9	2	13633	Bulletproof Aluminum Arm, 168" Length*
9	2	13722	Bulletproof Aluminum Arm, 192" Length*
9	2	14801	Bulletproof Aluminum Arm, 210" Length*
9	2	13723	Bulletproof Aluminum Arm, 240" Length*
9	2	14748	Bulletproof Aluminum Heavy Duty Arm, 288" Length*
CROSS TUBE ITEMS			
10	1	14521	Steel Cross Tube 102" Wide, 96" Wide Trailer
10	1	14522	Steel Cross Tube 108" Wide, 102" Wide Trailer
11	2	13632-1.3	Rubber Centering Flange for One Piece Arm, 1.3" I.D., 3" Wide
**	1	16084	Hardware Kit for Bulletproof Arm Upper Assembly
OPTIONAL ITEMS			
12	2	13373	Bulletproof Corner, 90 Deg.
13	1	13602	Bulletproof Aluminum Cross Tube, 96" Length
**	2	13730-A	Rubber Centering Flange for Aluminum Cross Tube (Requires #13913)
**	2	13913	Tarp Collar Clamp (Required with Rubber Tarp Centering Flange #13730-A)
14	2	11177	Aluminum Stop Bracket with Rubber Bumper
15	1	14997	Arm Hold Down Kit
16A	1	14191	7-Spring U-B Assembly. Driver Side
16B	1	14192	7-Spring U-B Assembly. Passenger Side
16A	1	13954	10-Spring U-B Assembly. Driver Side
16B	1	13955	10-Spring U-B Assembly. Passenger Side
**	1	15677	Bulletproof Elbow Kit, 30 Deg.

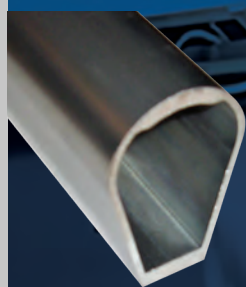
ALUMINUM TARP SPOOL



ALUMINUM TARP SPOOL

REF.	QTY	PART #	DESCRIPTION
ALUMINUM TARP SPOOL			
1	1	15089	Large Aluminum Tarp Housing, up to 102" Wide
2	1	14824	Open Top Aluminum Housing, up to 102" Wide
3	1	13827	Aluminum Tarp Spool Housing, 88"
3	1	11211	Aluminum Tarp Spool Housing, 92"
3	1	11210	Aluminum Tarp Spool Housing, 98"
3	1	11286	Aluminum Tarp Spool Housing, 104"
4	1	14870	Radius Front Aluminum Wind Deflector, up to 102" Wide
5	1	11208	Angled Aluminum Wind Deflector, 103" Wide
5	1	11380	Polished Aluminum Wind Deflector, 97" Wide
6	1	11200	2" Heavy Duty Aluminum Tarp Axle, 101-5/8" Wide
6	1	11385	2" Heavy Duty Aluminum Tarp Axle, 95-5/8" Wide
7	1	13967	1-1/2" Aluminum Tarp Axle, 103" Wide
8	2	13943	1-1/2" Tarp Axle Cap
9	1	11201	5" Spool Shaft
10	*1-2	11139	3/4" Axle Bearing
11	2	11366	Steel Tarp Spool Mounting Bracket
12	2	11143	Bumper for Tarp Spool Mounting Bracket
13	2	11295	Angled Tarp Spool Mounting Bracket with Bumper
14	1	14983R	Radius Front Wind Deflector Mounting Bracket. Passenger Side
15	1	14983L	Radius Front Wind Deflector Mounting Bracket. Driver Side
16	1	12357	Upper 18-Tooth Sprocket & Shaft
17	1	11668	Ground Level Crank Box
**	1	11285	#40 Chain with Master Link, 12 ft
18	1	12230	Steel Chain Guard
19	See page 4		
20	See page 4		
21	4	11209	Aluminum Housing Support Braces. Each
22	2	14835	Open Top Housing Support Braces. Each

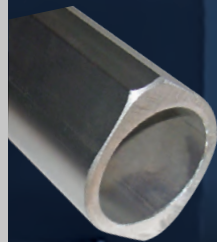
ARM PROFILES



AERO®



DONOVAN®/SHURCO®



MOUNTAIN TARP®



ROLL-RITE®

Parts for Tarps

DID YOU KNOW

You've heard of "All Makes" and "One Stop Shop" before, now take advantage of Parts for Tarps from US Tarp!

THE PARTS YOU NEED

We manufacture and distribute parts for commonly used brands right here at US Tarp. No more shopping around. Find everything you need all in one place.

FASTER LEAD TIMES

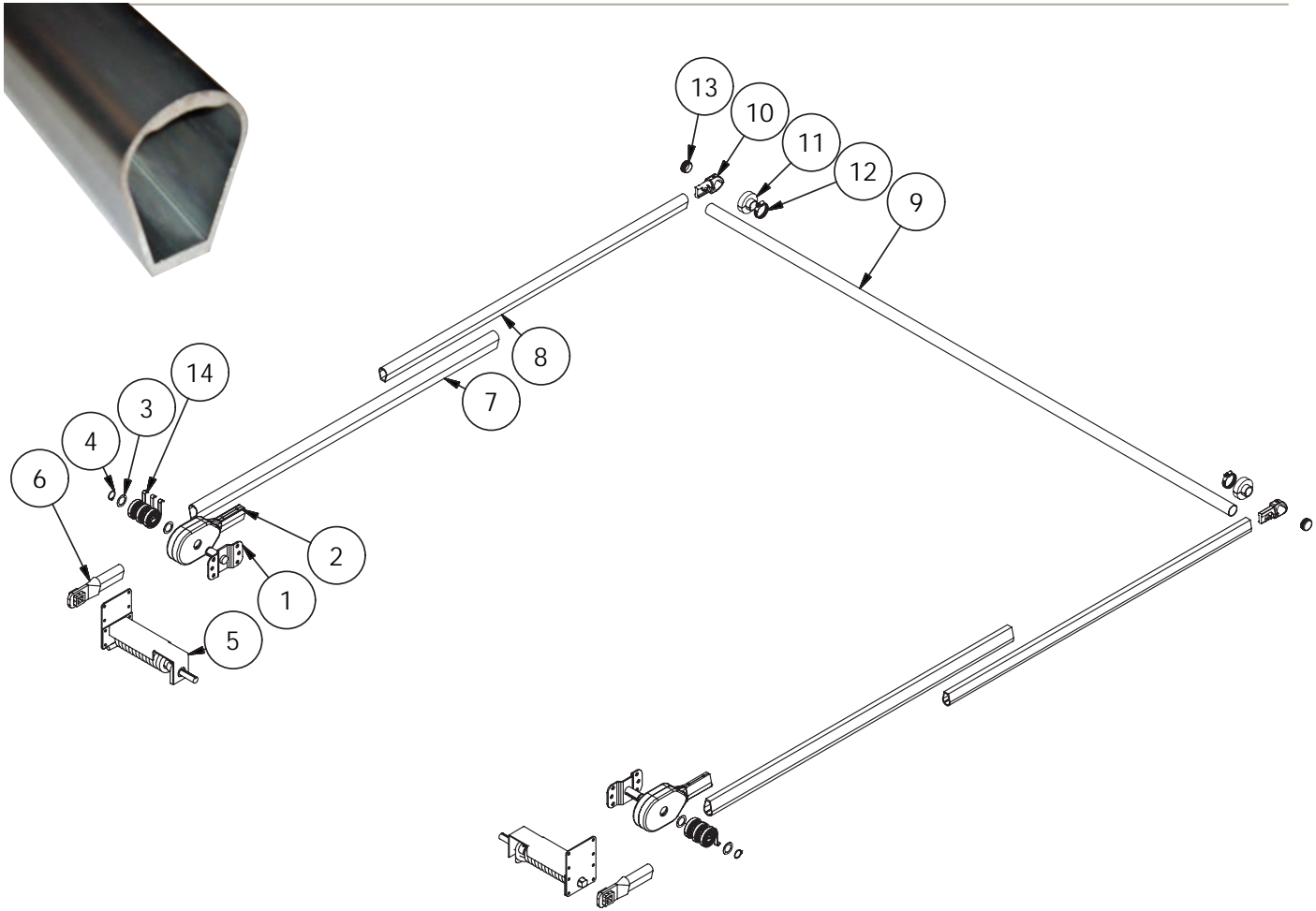
Get the parts you need faster. As customers tell us, US Tarp has faster lead times than our competitors.

BETTER SERVICE

Not only will our selection and faster lead times make your ordering process more efficient: US Tarp's talented team provides phenomenal service every time.



AERO® REPLACEMENT PARTS



Mounting Bracket Spring



Part #0311-860237

Powerpack 3-Spring Assembly, Single Side



Part #0311-960389

Spring Side Mount, Double Torsion



Part #0715-619550

Undermount Spring Assembly 5/8" PS



Part #0311-960343

End Fitting E/C



Part #0311-864103

Steel Arm End



Part #0311-861151

Rubber Tarp Centering Flange



Part #0311-862272

Teardrop Upper Corner



Part #0311-863014

AERO® REPLACEMENT PARTS

REF.	QTY	PART #	DESCRIPTION
------	-----	--------	-------------

AERO® POWERPACK REPLACEMENT PARTS

1	2	0311-860237	Mounting Bracket for Spring
2	2	0311-964022	Powerpack Casting Kit
3	4	0820-680411	1-1/4" Flat Washer
4	2	0311-860902	Retaining Ring, 1-1/4"
14	6	0715-619550	Spring Side Mount, Double Torsion

AERO® UNDERMOUNT SPRING COMPONENTS

**	1	0311-960347	14 Coil, Undermount Spring Assembly for AE. Passenger Side
5	1	0311-960346	14 Coil, Undermount Spring Assembly for AE. Driver Side
6	2	0311-864103	End Fitting E/C

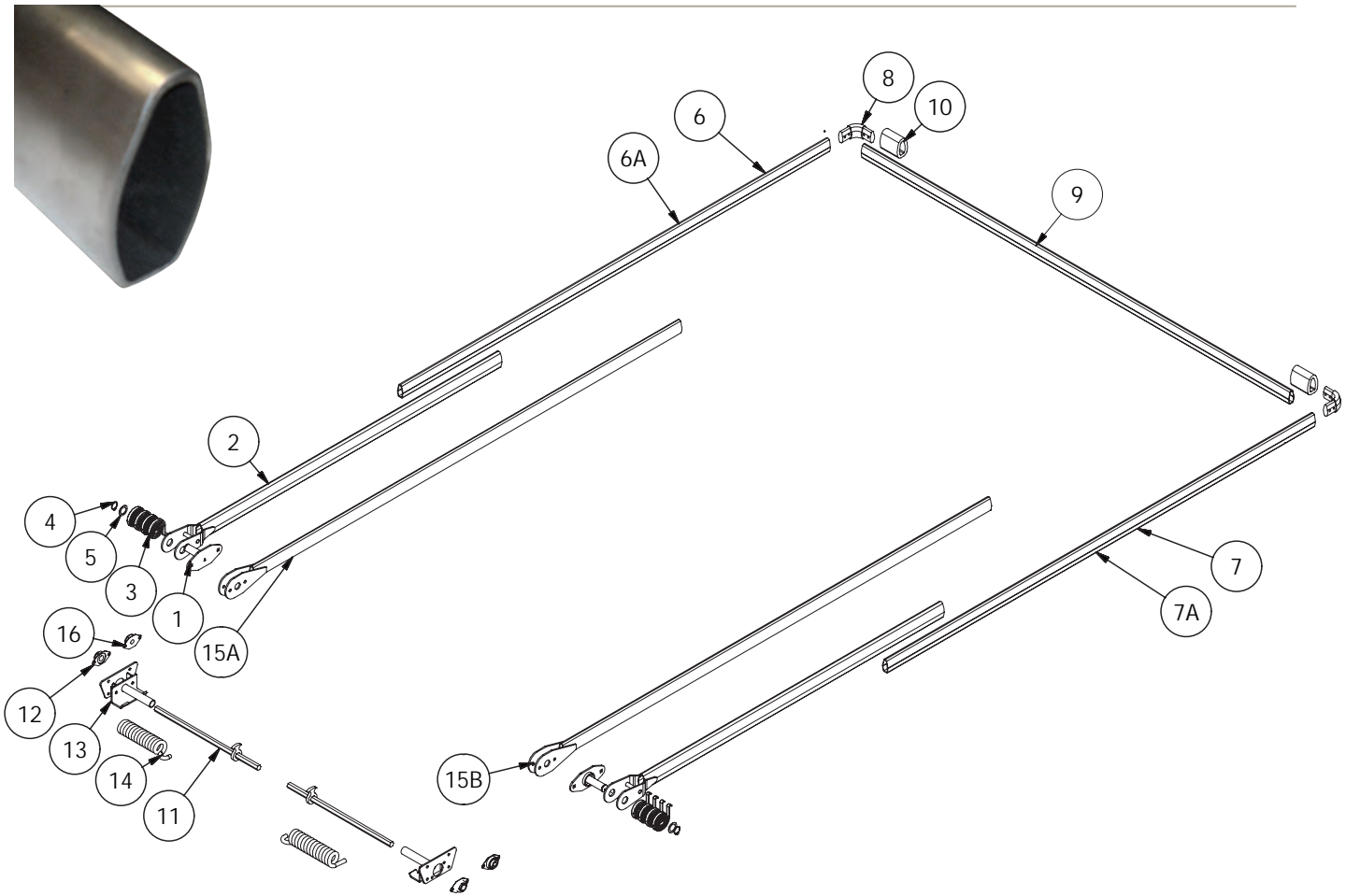
AERO® SWING ARM REPLACEMENT PARTS

7	2	0311-861802	10' - 13' Swing Arm Lower, 62" Length
7	2	0311-861803	14' - 21' Swing Arm Lower, 89" Length
7	2	0311-861804	22' - 25' Swing Arm Lower, 123" Length*
7	2	0311-861805	26' - 28' Swing Arm Lower, 150" Length*
7	2	0311-861806	29' - 32' Swing Arm Lower, 187" Length*
7	2	0311-861807	33' - 40' Swing Arm Lower, 215" Length*
7	2	0311-861908	41' - 49' Swing Arm Lower, 240" Length*
8	2	0311-861812	Swing Arm Upper, 54" Length
8	2	0311-861824	Swing Arm Upper w/ Bend, 54" Length
8	2	0311-863615	Swing Arm Upper, 132" Length*
9	1	0311-860706	14ga. Steel Cross Arm Rear 107.5" Wide
10	2	0311-861151	Steel Arm End
**	2	0311-863014	Teardrop Upper Corner
**	1	0311-860530	Aero® Legacy Teardrop Cross Tube – 98"
**	1	0311-860531	Aero® Legacy Teardrop Cross Tube – 104"
**	1	0311-860532	Aero® Legacy Teardrop Cross Tube – 108"
11	2	13941	Rubber Tarp Centering Flange - (Requires Tarp Collar Clamp #13913)
12	2	13913	Tarp Collar Clamp (Required with Rubber Tarp Centering Flange #13941)
13	2	0311-862135	Plug End for 1-3/4" Dia Tube
**	1	15679	Tarp Centering Spring Kit

AERO® MISCELLANEOUS REPLACEMENT PARTS

**	1	0710-602155	1" Stamped Steel Flange Bearing, 3-1/4" C.D.
**	1	0311-980042	Double Arm 10' - 18' System Length*
**	1	0311-980043	Double Arm 19' - 24' System Length*
**	1	0311-962278	Undermount Spring Kit, Both Sides Included

DONOVAN®/SHURCO® REPLACEMENT PARTS



Pivot Arm Mounting Assembly



Part #1787

Pivot Arm Lower



Part #3211

90° Elbow



Part #2842D

Rubber Tarp Stop



Part #3771N

1" Stamped Steel Flange Bearing 3-1/4" CD



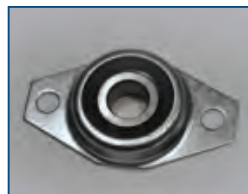
Part #3346

Replacement Springs for 7800 Series



DS-Part #427
PS-Part #537

3/4" Stamped Steel Flange Bearing 3-1/4" CD



Part #145

Side Mount Extension Spring, 35"



Part #304

DONOVAN®/SHURCO® REPLACEMENT PARTS REPLACEMENT PARTS

REF.	QTY	PART #	DESCRIPTION
------	-----	--------	-------------

DONOVAN®/SHURCO® SIDE MOUNT REPLACEMENT PARTS

1	2	1787 / 1800533	4- Spring Pivot Mount
2	2	3211 / 1801176	Lower Pivot Arm, 70" Length
2	2	3211-HD	Heavy Duty Lower Pivot Arm, 70" Length (Rodgers & Warren)
3	8	2416 / 1800763	Flat Coil, Torsion Spring
4	2	2834 / 1800978	Retaining Ring, 1 1/4"
5	2	2833 / 1800977	Shim, 1 1/4" x .047"
6	1	3244 / 1801188	Upper Pivot Arm w/ Corner, 100" Length. Driver Side
7	1	3245 / 1801189	Upper Pivot Arm w/ Corner, 100" Length. Passenger Side
8	2	2842D / 1801972	Upper Corner, 90 deg.
9	1	3279 / 1801205	Rear Cross Piece, 100"
10	2	3771N / 1802010	Rubber Tarp Stop
**	1	1190 / 1800333	Upper Pivot Arm w/ Corner 100" Length w/ 30 Deg. Bend. Driver Side
**	1	1191 / 1800334	Upper Pivot Arm w/ Corner 100" Length w/ 30 Deg. Bend. Passenger Side

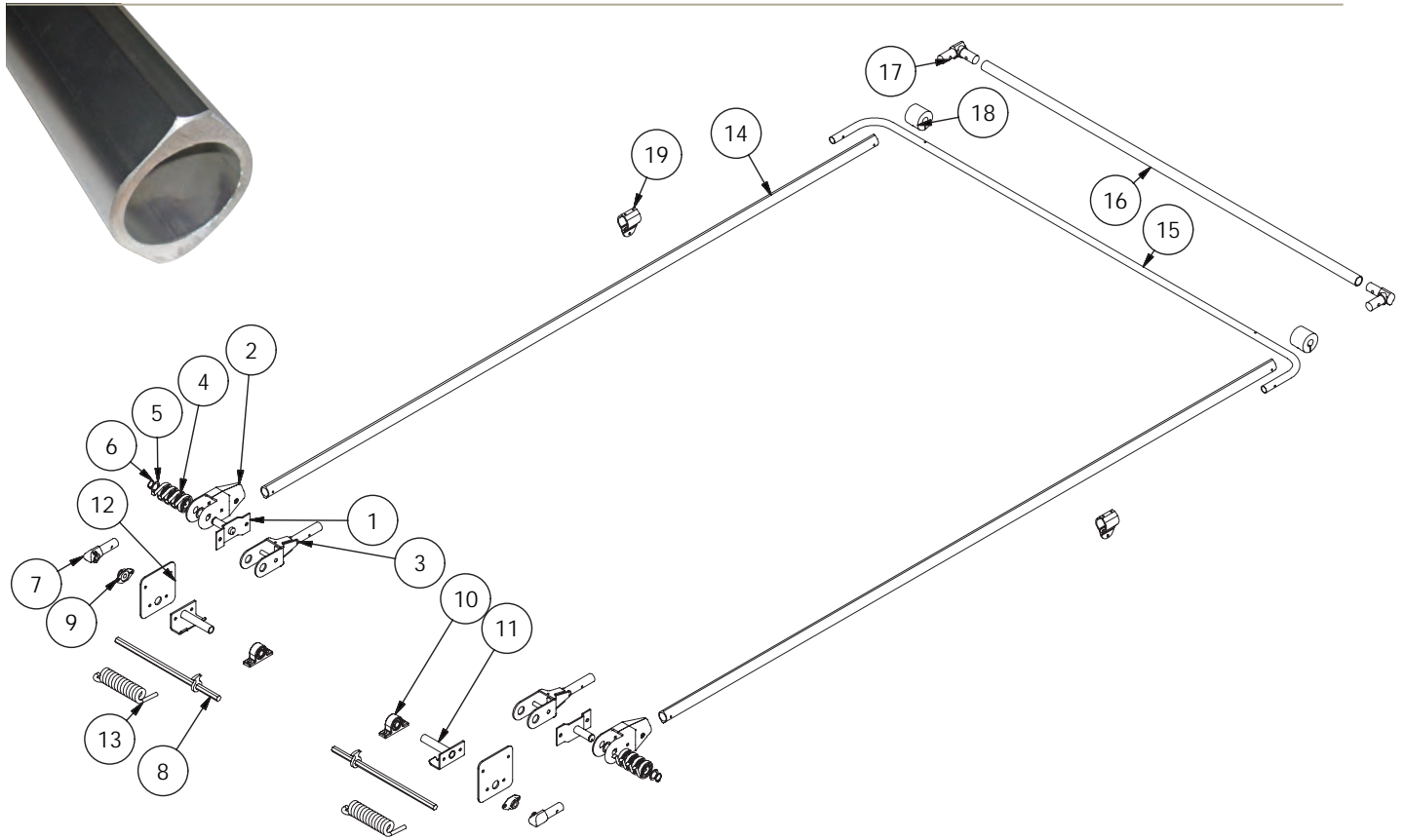
DONOVAN®/SHURCO® UNDERBODY MOUNT REPLACEMENT PARTS

11	1	3656 / 1801299	Hex Spring Shaft, 24" Length
12	1	3346 / 1801243	1" Round Flange Bearing
13	1	3658	Pivot Mounting Plate Assy., U/B
14	1	1037 / 1800279	21 Coil Torsion Spring Assembly. Driver Side
**	1	1039 / 1800280	21 Coil Torsion Spring Assembly. Passenger Side
15A	1	3944 / 1801413	Lower Pivot Arm, 120" Length, Driver Side*
15B	1	3945 / 1801414	Lower Pivot Arm, 120" Length, Passenger Side*
6A	1	3947 / 1801416	Upper Pivot Arm, w/ Corner, 120" Length, Drivers Side*
7A	1	3948 / 1801417	Upper Pivot Arm, w/ Corner, 120" Length, Passenger Side*
**	2	1184	Upper Pivot Arm, 120" Length. No Corner*
**	1	1190 / 1800333	Upper Pivot Arm, w/ Corner 100" Length w/ 30 Deg. Bend. Driver Side
**	1	1191 / 1800334	Upper Pivot Arm, w/ Corner 100" Length w/ 30 Deg. Bend. Passenger Side

DONOVAN®/SHURCO® MISCELLANEOUS REPLACEMENT PARTS

**	2	116 / 1800037	Side Mount Extension Spring, 25"
**	2	304 / 1800061	Side Mount Extension Spring, 32"
**	1	427 / 1800086	Side Replacement Spring for 7800 Series, Driver Side
**	1	537 / 1800101	Side Replacement Spring for 7800 Series, Passenger Side
**	1	145 / 1800042	3/4" Stamped Steel Flange Bearing, 3-1/4" C.D.

MOUNTAIN TARP® REPLACEMENT PARTS



5-Spring Clock Spring Assembly



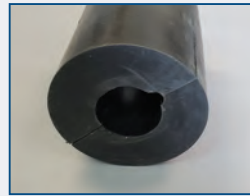
DS – Part #K0260
PS – Part #K0261

Crossover Elbow



Part #K0424E

Donut for Steel Crossover



Part #K0420D

Hex Arm Connector



Part #K0416N

Underbody Spring Assembly



DS – Part #K0208
PS – Part #K0207

Hex Spring Holder



Part #K0193

4-Spring Arm Connector Casting, Two-Piece



Part #13942

5-Spring Lower Plug

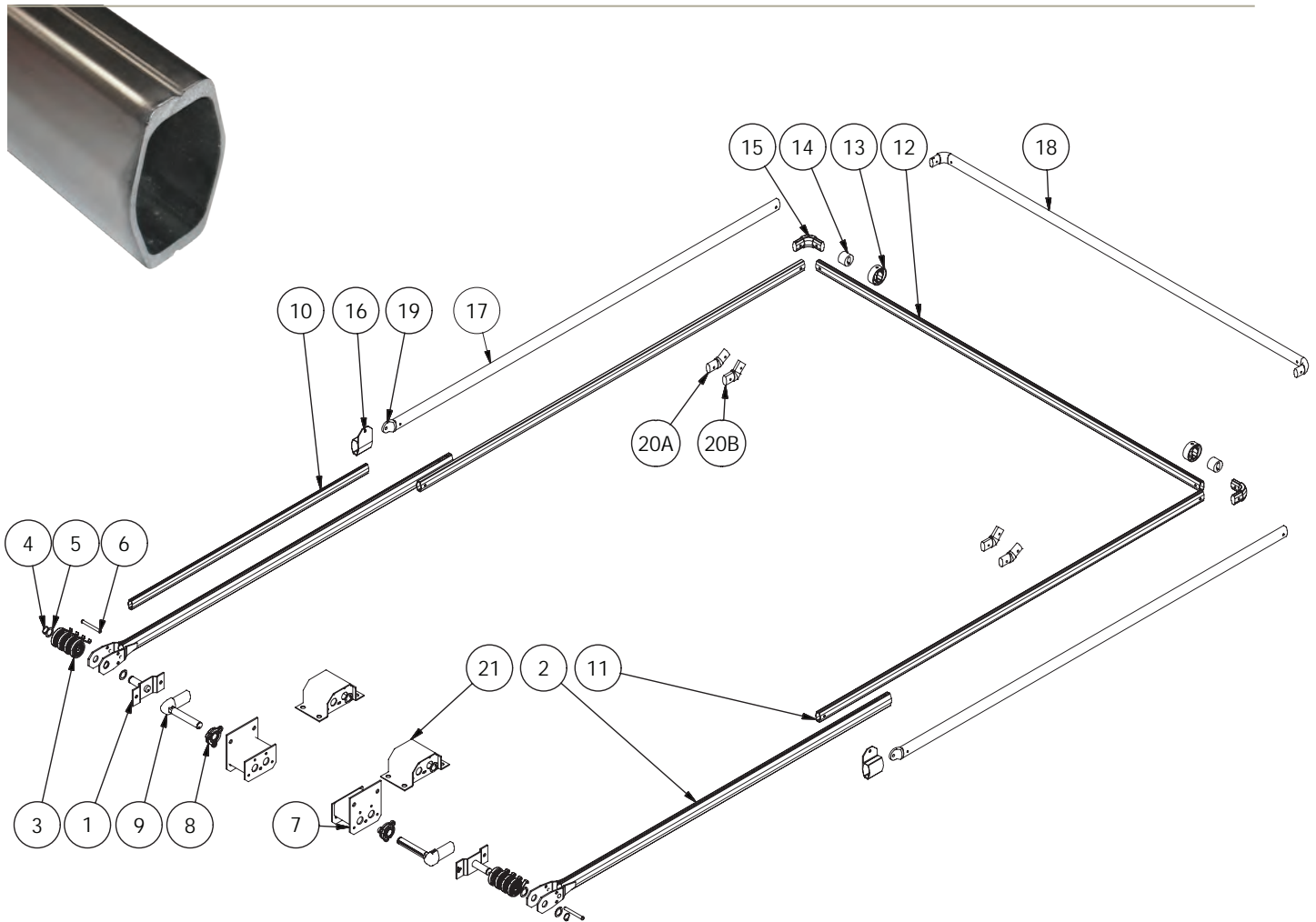


Part #K0134

MOUNTAIN TARP® REPLACEMENT PARTS

REF.	QTY	PART #	DESCRIPTION
MOUNTAIN TARP® SIDE MOUNT REPLACEMENT PARTS			
1	2	K0256	4-Spring Mounting Bracket
1	2	K0257	5-Spring Mount Bracket
2	2	K0134A	4-Spring Arm Connector US Tarp 2-Piece Casting. Does not require brass bushing.
3	2	K0134B	4-Spring Lower Plug
3	2	K0134	5-Spring Lower Plug
4	8-10	K0199	Side Mount Spiral Spring
5	4	14434	Brass Bushing
6	2	K0258	Snap Ring
**	1	K0260	5-Spring Clock Spring Assembly. Driver Side
**	1	K0261	5-Spring Clock Spring Assembly Right. Passenger Side
MOUNTAIN TARP® SIDE/UNDER MOUNT REPLACEMENT PARTS			
7	2	K0416N	Hex Arm Connector
8	2	K0536C	Chrome Hex C/R with Clip 12"
8	2	K0522C	Chrome Hex C/R with Clip 14.5"
8	2	K0536	Cold Roll with clip, total length: 12"
8	2	K0522	Cold Roll with clip, total length: 19"
8	2	K0524	Cold Roll with clip, total length: 24"
8	2	K0525	Cold Roll with clip, total length: 27"
8	2	K0631	Cold Roll with clip, total length: 31"
8	2	K0526	Cold Roll with clip, total length: 54"
8	2	K0537C	Hex Shaft, total length: 19"
8	2	K0538	Hex Shaft, total length: 24"
8	2	K0539	Hex Shaft, total length: 27"
9	2	K0515	1" Round Cast Iron Flange Bearing, 3-57/64" C.D.
9	2	K0515H	7/8" Hex Cast Iron Flange Bearing, 3-57/64" C.D.
10	2	K0520	1" Round Cast Iron Pillow Block Bearing, 4-1/8" C.D.
10	2	K0520H	7/8" Hex Cast Iron Flange Bearing, 4-1/8" C.D.
11	2	K0193	Hex Spring Holder
12	2	K0192	Spring Plate - Steel
13	1	K0502	Spring 5/8" 3300 Right - Passenger Side
**	1	K0501	Spring 5/8" 3300 Left - Driver Side
MOUNTAIN TARP® ARM REPLACEMENT PARTS			
14	2	K0405	Standard Arm 10' *
14	2	K0407	Standard Arm 12' *
14	2	K0409	Standard Arm 14' *
14	2	K0411	Standard Arm 16' *
14	2	K0414E	Standard Arm 20' *
**	2	-BA	Add 30 Degree Bend in any Arm, per bend
14	2	KS6251E	Teardrop Arm 24', cannot be bent *
15	1	K0420	Steel Crossover 102" Wide for 96" Wide Trailer
15	1	K0422	Steel Crossover 108" Wide for 102" Wide Trailer
16	1	K0424P	Aluminum Crossover, 1-1/2" x 8'6"
17	2	K0424E	Crossover Elbow
18	2	K0420D	4-1/2" Black Donut for Steel Crossover
18	2	K0424D	4-1/2" Long Black Donut for Aluminum Crossover
19	2	K0125A	Arm Sleeve with Tab Only

ROLL RITE® REPLACEMENT PARTS



Tension Bow Mounting Bracket



Part #76830

Pivot Pin for 5 or 6 Spring Underbody



DS-Part # 46360
PS-Part # 46370

6-Spring Underbody Pivot

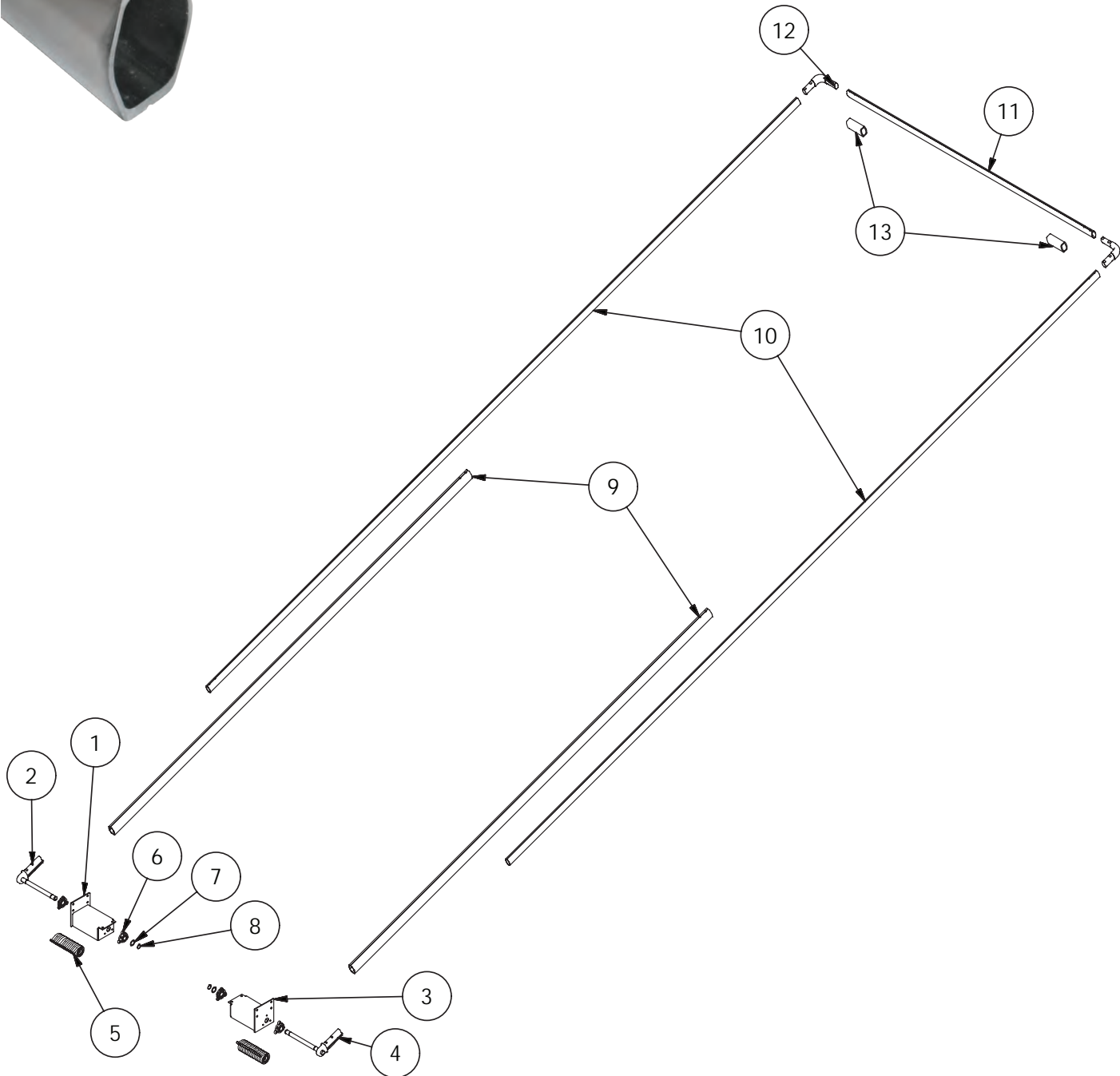
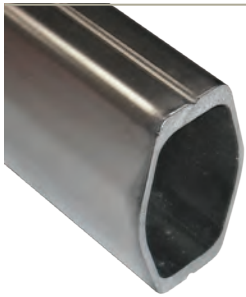


DS-Part #46070
PS-Part #46080

ROLL RITE® REPLACEMENT PARTS

REF.	QTY	PART #	DESCRIPTION
ROLL RITE® EXTERNAL MOUNT REPLACEMENT PARTS			
1	2	45330	3-Spring Pivot Pin, Steel
1	2	45340	4-Spring Pivot Pin, Steel
1	2	45350	5-Spring Pivot Pin, Steel
2	2	46130	3-Spring External Mount Pivot Arm, 48"
2	2	46130-31	3-Spring External Mount Pivot Arm, 31"
2	2	46140	4-Spring External Mount Pivot Arm, 84"
2	2	46140-60	4-Spring External Mount Pivot Arm, 60"
2	2	46150	5-Spring External Mount Pivot Arm, 84"
3	6-10	47230	Spiral Torsion Spring
4	2	47000	Snap Ring for Pivot Pins
5	4	47010	Bushing for Pivot Pins
6	2	18560	Clevis Pin for 5-Spring Pivot Only. 1/2" x 4-1/8"
ROLL RITE® PIVOT REPLACEMENT PARTS			
7	1	46010	Bracket for 5 or 6-Spring Underbody Pivots, Left - Driver Side
7	1	46020	Bracket for 5 or 6-Spring Underbody Pivots, Right - Passenger Side
7	1	47520	Bracket for 8-Spring Underbody Pivots, Left - Driver Side
7	1	47530	Bracket for 8-Spring Underbody Pivots, Right - Passenger Side
7	1	46090	Assembled 5-Spring Underbody Pivot, Left - Driver Side
7	1	46100	Assembled 5-Spring Underbody Pivot, Right - Passenger Side
7	1	46070	Assembled 6-Spring Underbody Pivot, Left - Driver Side
7	1	46080	Assembled 6-Spring Underbody Pivot, Right - Passenger Side
7	1	47500	Assembled 8-Spring Underbody Pivot, Left - Driver Side
7	1	47510	Assembled 8-Spring Underbody Pivot, Right - Passenger Side
8	4	47800	1-1/4" Carrier Bearing
9	1	46360	Pivot Pin for 5 or 6-Spring Underbody, Left - Driver Side
9	1	46370	Pivot Pin for 5 or 6-Spring Underbody, Right - Passenger Side
9	1	47400	Pivot Pin for 8-Spring Underbody, Left - Driver Side
10	1	46250	Pivot Tube for 5-Spring Underbody, 96" Length
10	1	46260	Pivot Tube for 6-Spring Underbody, 144" Length
10	1	47450	Pivot Tube for 8-Spring Underbody, 192" Length
21	1	46480	Fender/Top Mount 6-Spring Assembly, Right - Passenger Side
21	1	46470	Fender/Top Mount 6-Spring Assembly, Left - Driver Side
21	1	47470	Fender/Top Mount 8-Spring Assembly, Left - Driver Side
21	1	47480	Fender/Top Mount 8-Spring Assembly, Right - Passenger Side
ROLL RITE® BOW REPLACEMENT PARTS			
11	2	76760	Side Arm with Corner for Tarp Bow, 98"
12	1	76770	Standard Top Tube for Tarp Bow, 98"
12	1	76870	Wide Top Tube for Tarp Bow, 103-1/2"
13	2	76810	Plastic Tarp Centering Flange (per pair)
14	2	15369	Rubber Tarp Centering Flange (each)
15	2	76800	90 Degree Corner
ROLL RITE® TENSION BOW REPLACEMENT PARTS			
16	2	76830	Tension Bow Mounting Bracket
17	2	76780	Side Arm, with End Tab for Tension Bow, 98"
17	2	76880	Long Side Arm, with End Tab for Tension Bow, 103"
18	1	76790	Standard Top Tube with Corners for Tension Bow, 98"
18	1	76890	Wide Top Tube with Corners for Tension Bow, 105-1/2"
19	2	76820	Tension Bow End Tab
ROLL RITE® MISCELLANEOUS REPLACEMENT PARTS			
**	1	31050	3/4" Cast Iron Flange Bearing 2-13/16" C.D.
20A	2	76900	Aluminum Elbow, 30 Deg.
20B	2	76910	Aluminum Elbow, 45 Deg.

ROLL RITE® EXTREME REPLACEMENT PARTS



ROLL RITE® EXTREME REPLACEMENT PARTS

REF.	QTY	PART #	DESCRIPTION
ROLL RITE® EXTREME REPLACEMENT PARTS			
1	1	16467***	16-Spring U-B Housing, Driver Side
1	1	16471***	12-Spring U-B Housing, Driver Side
2	1	101004	16-Spring Extreme Lower Casting, Driver Side
2	1	103914	12-Spring Extreme Lower Casting, Driver Side
3	1	16468***	16-Spring U-B Housing, Passenger Side
3	1	16472***	12-Spring U-B Housing, Passenger Side
4	1	101005	16-Spring Extreme Lower Casting, Passenger Side
4	1	103913	12-Spring Extreme Lower Casting, Passenger Side
5	24 or 32	11121	Spiral Torsion Spring
6	4	47800	Carrier Bearing, 1-1/4"
7	2	11141	Stainless Steel Bushing
8	2	11142	External Retaining Ring
9	2	101188	Roll-Rite Extreme Socket Tube, 160" Length
10	2	46262	Roll-Rite Extreme Upper Pivot Tube, 264" Length
10	2	47450	Roll-Rite Extreme Upper Pivot Tube, 192" Length
11	1	76875	Roll-Rite Extreme Wide Bow Top Tube, 103" Length
12	2	76805	Roll-Rite Extreme Upper Corner
13	2	76814	Roll-Rite Extreme Center Flange, 6"
**	2	76915	Roll-Rite Extreme Elbow, 45 Deg.

***Must be replaced on both driver and passenger sides to be compatible.

CAB LEVEL WIND TARP SYSTEM

PART #	DESCRIPTION
COMPLETE CAB LEVEL WIND UP PARTS	
13375	Base System - No Wind Deflector or Housing
13484	Rear Pull Bar Assembly
13463	103" Wide Wind Deflector
13396	Rear Pull Bar & Wind Deflector

Fold Away Crank Handle



Part #11661

Steel 3 Hole Mounting Bracket



Part #13371

Rear Pull Bar Assembly



Part #12311

Locking Ratchet Assembly



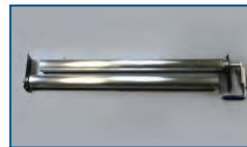
Add -R to System

Adj Assembled Tarping



Add -A to System

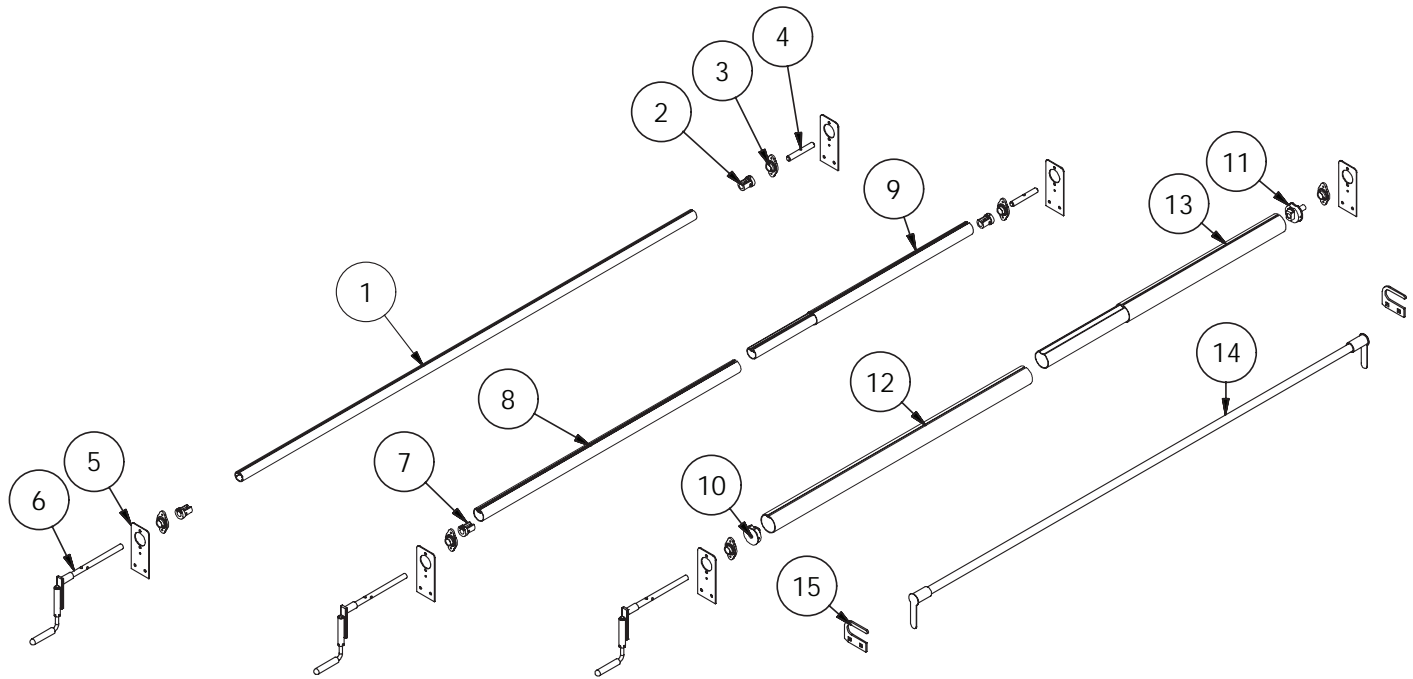
Adj Assembled Tarping System
3" Roller



Add -A3 to System



CAB LEVEL WIND TARP SYSTEM



REF.	QTY	PART #	DESCRIPTION
CAB LEVEL WIND UP PARTS			
1	1	13967	1-1/2" Aluminum Tarp Axle, 103" width
2	2	13943	1-1/2" Tarp Axle Cap
3	1	11139	3/4" Axle Bearing
4	1	11201	Spool Shaft, 5"
5	2	13371	Steel 3-Hole Mounting Bracket
6	1	11661	Fold-Away Crank Handle for Cab Level
7	2	12382	2" Tarp Axle Cap
8	1	14861	2" Hollow Tarp Axle, 51" length
9	1	14860	2" Hollow Tarp Axle, 31" length with connector
10	1	13749	3" Tarp Axle Cap, Left - Drivers Side
11	1	13908	3" Tarp Axle Cap, Right - Passengers Side with Spool Shaft
12	1	15519	3" Hollow Tarp Axle, 51" length
13	1	15520	3" Hollow Tarp Axle, 31" length with connector
14	1	14581	Aluminum Rear Pull Bar Assembly, No Rope Kit, Tailgate Latches, or J-Hooks
14	1	12311	Aluminum Rear Pull Bar Assembly w/ Rope Kit, Tailgate Latches and J-Hooks
15	2	12283	Steel Tailgate Latch
**	4	12282	Aluminum J Hook
**	1	14988-KIT	Rope Kit with Bungee and Rings

**Item not shown. *Oversized items, over length shipping rates apply.

PULL STYLE SPRING RETURN TARP SYSTEM

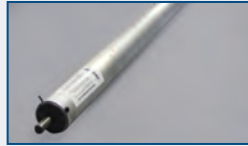
PART #	DESCRIPTION
COMPLETE PULL STYLE SPRING RETURN TARP SYSTEM	
13429	Base System - No Wind Deflector or Housing
13391	97" Wind Deflector
15478	102" Smooth Front Wind Deflector
15479	Open Top Housing, up to 102" Wide
165	Adjustable Steel Housing, 81" to 96" Wide
13430	92" Wide Aluminum Housing
13431	98" Wide Aluminum Housing
13432	104" Wide Aluminum Housing
-HD	Covers up to 32'

Adj. Width Spring Return Roller Assembly



Part #99

Spring Return Roller Assembly, Fixed Width



Part #13402

Rope Kit



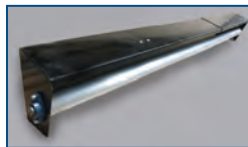
Part #14988-KIT

Rear Pull Bar Assembly



Part #12311

Adjustable Steel Housing



Part #15203

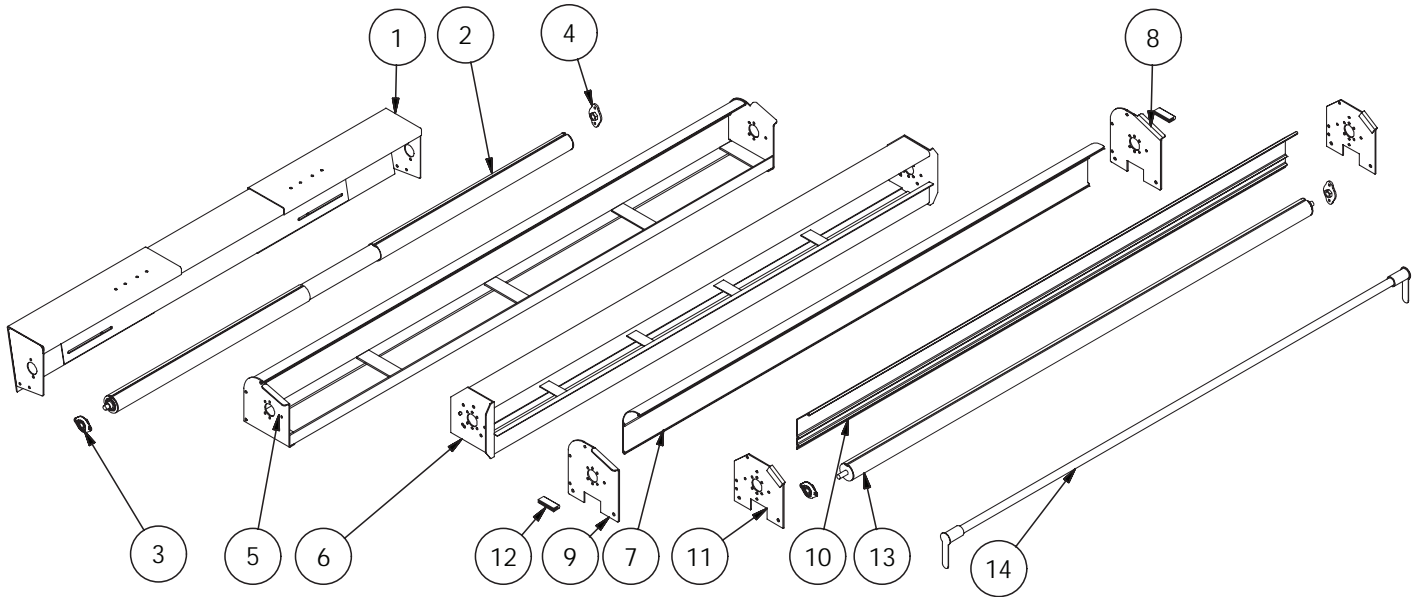
Optional Polished Aluminum Wind Deflector



Part #11380

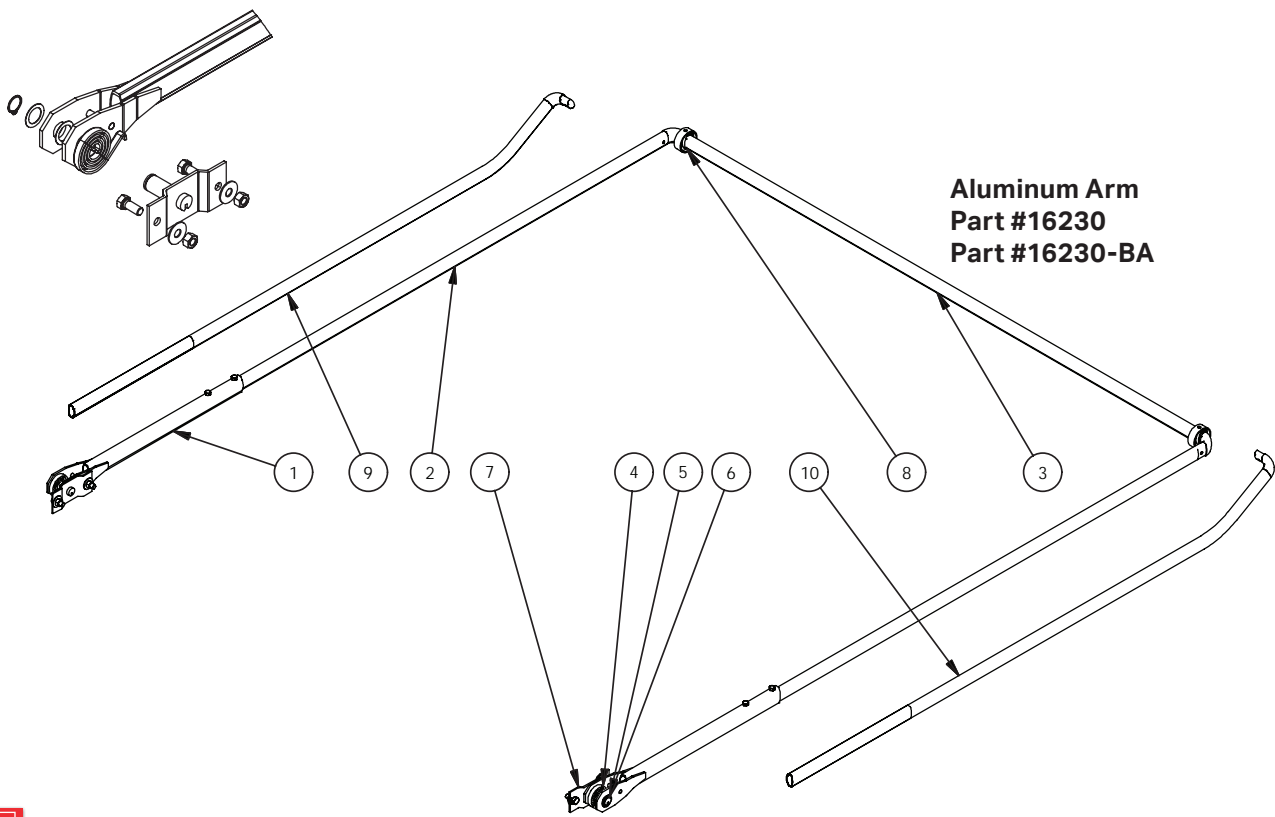
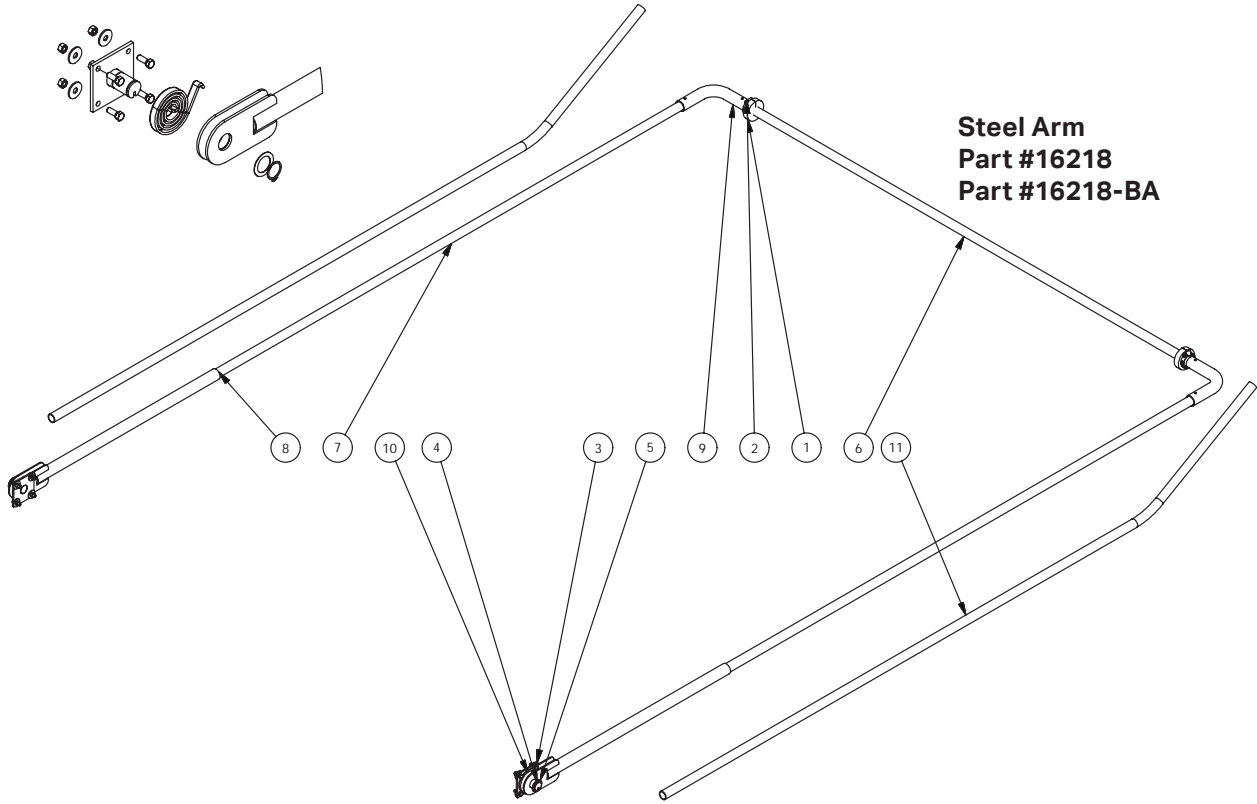


PULL STYLE SPRING RETURN TARP SYSTEM



REF.	QTY	PART #	DESCRIPTION
PULL STYLE SPRING RETURN PARTS			
1	1	15203	Adjustable Width Steel Housing
2	1	99	Adjustable Width Spring Return Roller Bar Assembly
3	1	11139	3/4" Axle Bearing
4	1	14010	Pull Style Adaptor Plate
5	1	14824	Open Top Aluminum Housing, up to 102" width
6	1	11211	Aluminum Tarp Spool Housing, 92"
6	1	11210	Aluminum Tarp Spool Housing, 98"
6	1	11286	Aluminum Tarp Spool Housing, 104"
7	1	14870	Radius Front Aluminum Wind Deflector, up to 102" width
8	1	14983R	Radius Front Wind Deflector Mounting Bracket, Right - Passengers Side
9	1	14983L	Radius Front Wind Deflector Mounting Bracket, Left - Drivers Side
10	1	11208	Angled Aluminum Wind Deflector, 103" width
10	1	11380	Angled Aluminum Wind Deflector, 97" width
11	2	11295	Angled Tarp Spool Mounting Bracket with Bumper
12	2	11143	Bumper for Tarp Spool Mounting Bracket
13	1	13402	Spring Return Roller Bar Assembly
14	1	14581	Aluminum Rear Pull Bar Assembly, No Rope Kit or Tailgate Latches
**	1	12311	Aluminum Rear Pull Bar Assembly with Rope Kit and Tailgate Latches
**	1	14988-KIT	Rope Kit with Bungee and Rings

SAFE-T-LIFT™ TARP SYSTEM



SAFE-T-LIFT™ TARP SYSTEM

REF.	QTY	PART #	DESCRIPTION
------	-----	--------	-------------

STEEL ARM PARTS

1	2	13941	Rubber Tarp Centering Flange (Requires Tarp Collar Clamp #13913)
2	2	13913	Tarp Collar Clamp (Required with Rubber Tarp Centering Flange #13941)
3	2	14470	Tension Hoop Mounting Pin
4	2	11142	Retaining Ring
5	4	11141	Stainless Steel Bushing
6	1	11269	Steel Cross Tube, 96" Long
7	2	11268	Steel Upper Side Arm, 120" Long
8	2	14471-36	Tension Hoop Pivot Arm with Zinc Plating, 36"
9	2	11267	Steel 90° Corner
10	2	11121	Spiral Torsion Spring
11	2	11268-BA	30° Bent Steel Upper Side Arm, 120" Long
**	**	16423	Steel Safe-T-Lift Arm Kit, No Pull Bar
**	**	16423-BA	Steel Safe-T-Lift Arm Kit w/ Bent Arms, No Pull Bar
**	**	16425	Steel Safe-T-Lift Arm Kit w/ Wind Deflector, No Pull Bar
**	**	16425-BA	Steel Safe-T-Lift Arm Kit w/ Bent Arms & Wind Deflector, No Pull Bar

REF.	QTY	PART #	DESCRIPTION
------	-----	--------	-------------

ALUMINUM ARM PARTS

1	2	11244	3-Spring Lower Aluminum Arm, 31" Long
2	2	11231	Aluminum Side Arm with Corner
3	1	11232	Aluminum Side Arm 98" Long
4	2	11121	Spiral Torsion Spring
5	4	11141	Stainless Steel Bushing
6	2	11142	Retaining Ring
7	2	11183	3-Spring Pivot Pin
8	2	11231	Plastic Tarp Centering Flange - Black
9	1	11236-BA-R	Aluminum Side Arm with Corner, Bent Passenger Side Right
10	1	11236-BA-L	Aluminum Side Arm with Corner, Bent Driver Side Left
**	**	16422	Aluminum Safe-T-Lift Arm Kit, No Pull Bar
**	**	16422-BA	Aluminum Safe-T-Lift Arm Kit w/ Bent Arms, No Pull Bar
**	**	16424	Aluminum Safe-T-Lift Arm Kit w/ Wind Deflector, No Pull Bar
**	**	16424-BA	Aluminum Safe-T-Lift Arm Kit w/ Bent Arms & Wind Deflector, No Pull Bar



GANTRY TARP SYSTEM



GANTRY TARP SYSTEMS

STATIONARY PULL STYLE – 15101

No Electrical

Stationary Mounting Kit

STATIONARY WITH ARM KIT – 15101-(ARM#)

Includes 12250-WATERPROOF

Stationary Mounting Kit

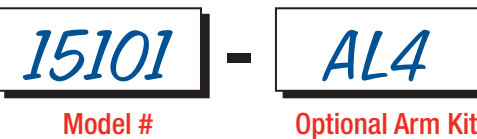
54" STATIONARY – 15101-54-(ARM#)

Pull Style or Electric Arm Kit Available

Stationary Mounting Kit

Economical Medium-Duty Design

Part Number Format



ARM KIT OPTIONS

ALUMINUM	STEEL	BULLETPROOF	UP TO LENGTH
AL4	ST4	BP4	24'
AL5	ST5	BP5	26'
AL7	ST7	BP7	32'

SPEC	54" STATIONARY SPECS	77" STATIONARY SPECS
------	----------------------	----------------------

ECONOMY GANTRY UNITS

Frame Height	54"	77"
Extends	N/A	N/A
Overall Height with Housing	62"	85"
Weight	225 lbs. (assembled) without Tarp or Arm Kit	300 lbs. (assembled) without Tarp or Arm Kit
Coverage*	Up to (but not including) 30 Yard Container	Up to (but not including) 40 Yard Container
	*Not Recommended for 30 Yard Containers *Not Recommended for containers over 62" tall	*Not Recommended for 40 Yard Containers *Not Recommended for containers over 85" tall

**Item not shown. *Oversized items, over length shipping rates apply.

GANTRY TARP SYSTEM



SINGLE STAGE GANTRY TARP SYSTEM

SINGLE STAGE PULL STYLE – 15100

Base Spring Return Axle - Assembled

NEW – Gantry Control Box for Powerpack

SINGLE STAGE WITH ARM KIT – 15100-(ARM#)

Includes Standard Control Box with Plug and Play

LED Work Lights Included and Wired

Wireless Upgrade available

HYDRAULIC SINGLE STAGE – 15100-P

Wireless Remote Included

Standard Aluminum 4-Spring Arms Included

Flow Divider for PTO Included

60:1 Hydraulic Tarp Motor

Part Number Format



ARM KIT OPTIONS

ALUMINUM	STEEL	BULLETPROOF	UP TO LENGTH
AL4	ST4	BP4	24'
AL5	ST5	BP5	26'
AL7	ST7	BP7	32'

SPEC	MEASUREMENT (IN)
SINGLE STAGE GANTRY SYSTEM WITH POWERPACK	
Assembled Frame Height	60"
Extends	36"
Overall Height with Housing	96"
Weight	375 lbs. (assembled) without Tarp or Arm Kit
Coverage*	Up to 40 Yard Container

*Not Recommended for 40 Yard Containers
 *Not Recommended for containers over 96" tall

GANTRY TARP SYSTEM



TWO STAGE GANTRY TARP SYSTEM

TWO STAGE PULL STYLE – 14126

Base Spring Return Axle - Assembled

NEW – Gantry Control Box for Powerpack

TWO STAGE WITH ARM KIT – 14126-(ARM#)

Includes Standard Control Box with Plug and Play

LED Work Lights Included and Wired

Wireless Upgrade available

HYDRAULIC TWO STAGE – 14126-P

Wireless Remote Included

Standard Aluminum 4-Spring Arms Included

Flow Divider for PTO Included

60:1 Hydraulic Tarp Motor

Part Number Format



ARM KIT OPTIONS

ALUMINUM	STEEL	BULLETPROOF	UP TO LENGTH
AL4	ST4	BP4	24'
AL5	ST5	BP5	26'
AL7	ST7	BP7	32'

SPEC	MEASUREMENT (IN)
------	------------------

TWO STAGE — FULLY HYDRAULIC OR POWERPACK AVAILABLE

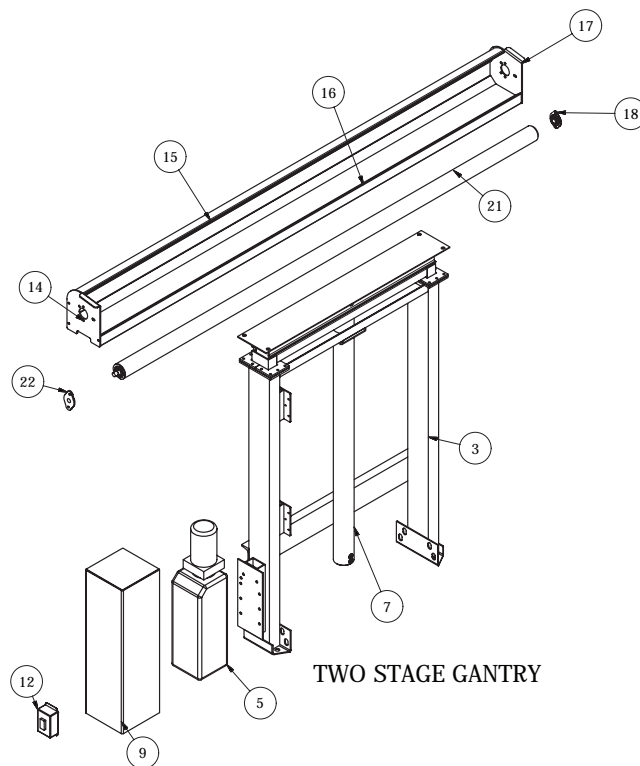
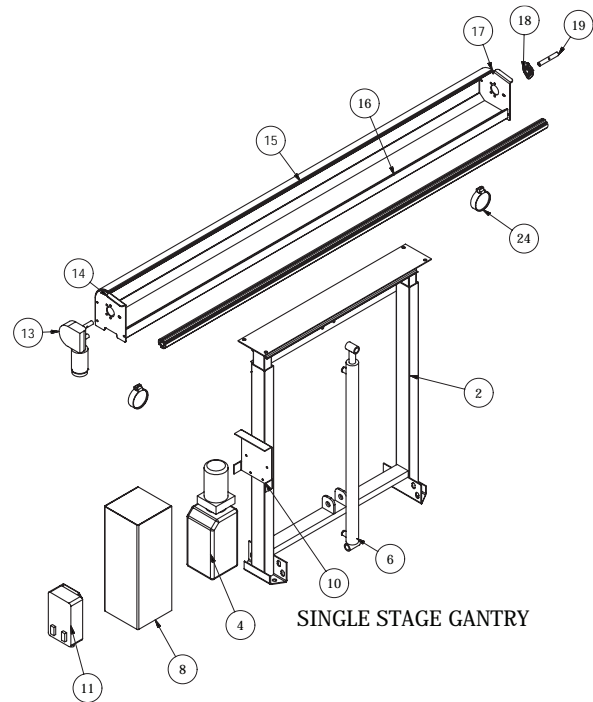
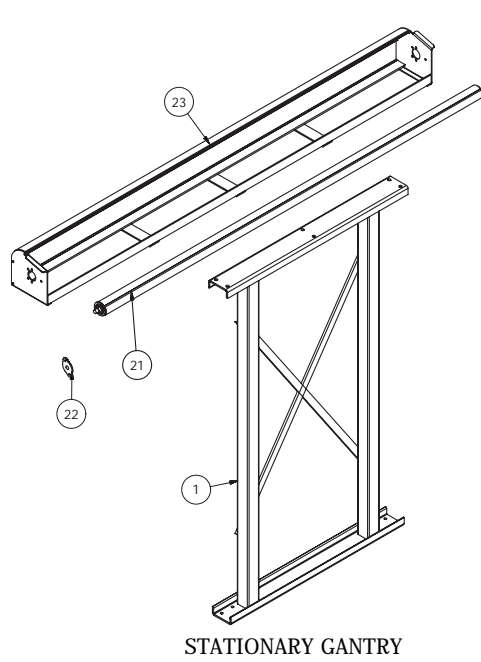
Frame Height	64"
Extends	88"
Overall Height with Housing	162"
Weight	575 lbs. (assembled) without Tarp or Arm Kit
Coverage*	40 Yard Container

*Not Recommended for 40 Yard Containers

*Not Recommended for containers over 96" tall

**Item not shown. *Oversized items, over length shipping rates apply.

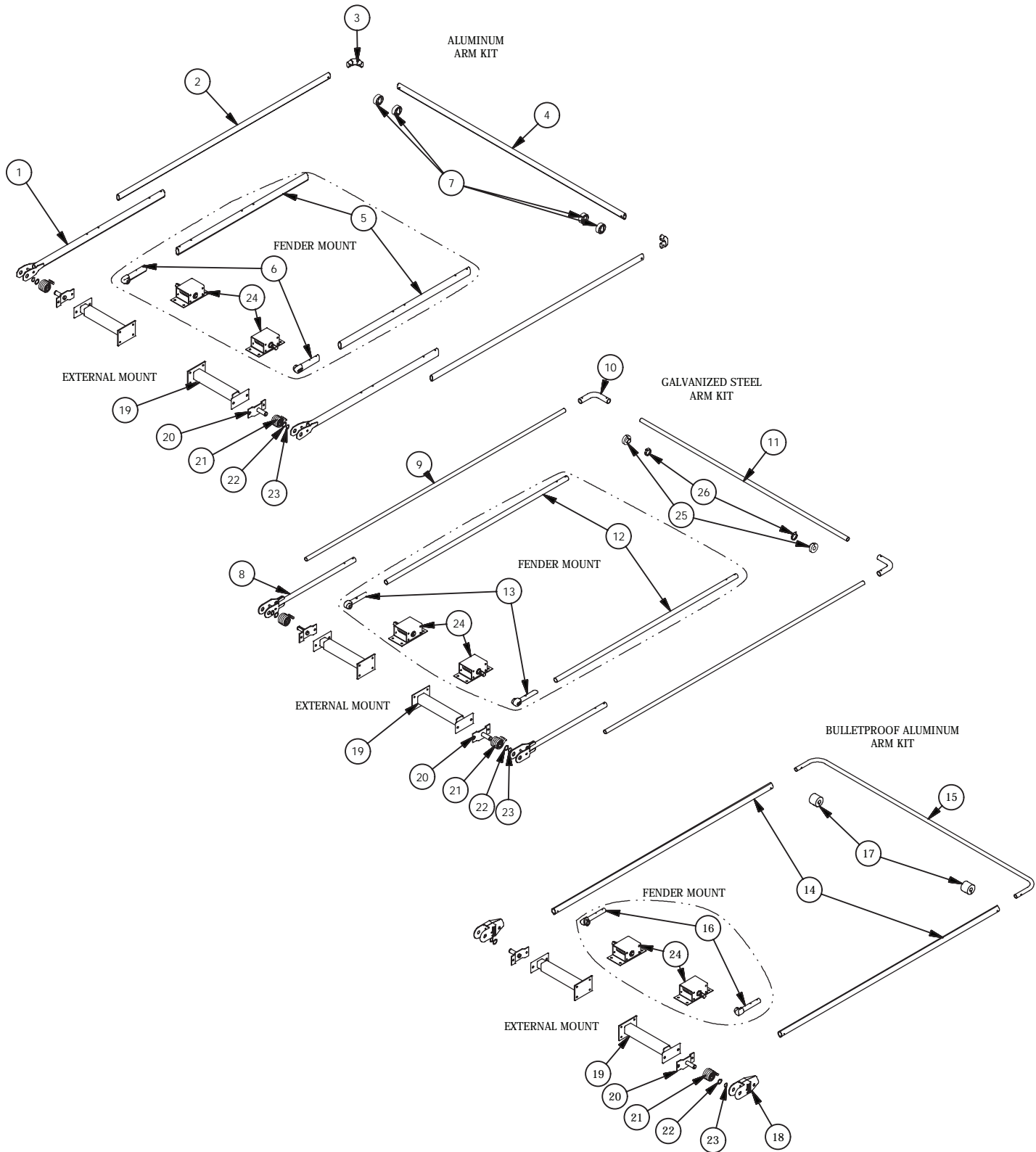
GANTRY TARP SYSTEM



GANTRY TARP SYSTEM

REF.	QTY	PART #	DESCRIPTION
GANTRY TARP REPLACEMENT PARTS			
1	1	14527	77" Stationary Gantry Frame
1	1	14527-54	54" Stationary Gantry Frame
2	1	15080	48" Single Stage Gantry Frame
2	1	15080-58	58" Single Stage Gantry Frame; Fully Hydraulic Only
3	1	112671	Two Stage Gantry Frame
4	1	13931	12V Powerpack, 6 Qt Reservoir
5	1	16314	12V Powerpack, 10 Qt Reservoir
6	1	14838	Single Stage Hydraulic Cylinder, 36" Stroke
7	1	13901	Two Stage Hydraulic Cylinder, 88" Stroke
8	1	15515	Steel Housing for 6 Qt Powerpack (Single Stage)
9	1	16304	Steel Housing for 10 Qt Powerpack (Two Stage)
10	1	15816	Mounting Bracket for Steel Housing
11	1	16302	Standard Gantry Control Box
11	1	16109	Wireless Gantry Control Box with 5 Function Remote (Optional)
12	1	16310	Pull Style Gantry Control Box
13	1	13732	Bulletproof Tarp Motor, Geared 60:1
14	1	15512L	Heavy Duty Aluminum Housing Endplate, Drivers Side
15	1	14870	Heavy Duty Aluminum Wind Deflector
16	1	15367	Aluminum Housing Base, 98"
17	1	15512R	Heavy Duty Aluminum Housing Endplate, Passengers Side
18	1	11139	3/4" Stamped Steel Flange Bearing
19	1	11201	3/4" Spool Shaft
20	2	11200	2" Heavy Duty Tarp Axle
21	1	14529	Pull Style Axle Assembly
22	1	14010	Pull Style Adapter Plate
23	1	14824	Open Top Housing, 98"
24	2	15755	LED Work Lights
**	2	16313	Mounting Bracket for Stationary Gantries
**	2	16244	5/8" Frame Spacers (Optional)
**	1	15563	5 Function Wireless Remote (Optional) - Compatible with US Tarp Systems Only
**	1	16189	80A Breaker (Single Stage Gantry)
**	1	16274	250A Breaker (Two Stage Gantry)
**	1	12250-WATERPROOF	Waterproof Rocker Switch (Electric Stationary Kit)
**	1	14988-KIT	Rope Kit (Pull Style Gantries)
**	4	12282	J Hooks (Pull Style Gantries)
**	1	H14017	Tailgate Latch Kit (Pull Style Gantries)
**	1	12250-WP-GANTRY	Waterproof Wireless Control Box (Fully Hydraulic Models)
**	1	15964	Flow Regulator (Fully Hydraulic Models)
**	1	16066	Flow Divider Body (Fully Hydraulic Models)
**	1	15732	2- Spool Valve with Electric Actuators
**	1	16232	Relief Valve

GANTRY ARMS



GANTRY ARMS

REF.	QTY	PART #	DESCRIPTION
------	-----	--------	-------------

ALUMINUM ARM PARTS

1	2	11243	4-Spring Aluminum Lower Arm; 60"
1	2	11242	5-Spring Aluminum Lower Arm; 84"
2	2	11236	98" Aluminum Upper Arm With Corner
3	2	11235	Aluminum 90 Degree Corner (Included With 11236)
4	1	11232	Aluminum Cross Tube; 105-1/2"
5	2	11228	Underbody Aluminum Lower Arm; 84"
6	2	11226	Underbody Casting For Aluminum System
7	4	11231	Plastic Centering Flange

GALVANIZED STEEL ARM PARTS

8	2	11266	4-Spring Steel Lower Arm; 36"
8	2	11370	5-Spring Steel Lower Arm; 48"
9	2	11268	120" Steel Upper Arm
10	2	11267	Steel 90 Degree Corner
11	1	11269	96" Steel Crosstube
12	2	13819	Underbody Steel Lower Arm; 84"
13	2	11358	Underbody Steel Lower Casting
25	2	13941	Rubber Tarp Centering Flange (Requires Tarp Collar Clamp #13913)
26	2	13913	Tarp Collar Clamp (Required with Rubber Tarp Centering Flange #13941)

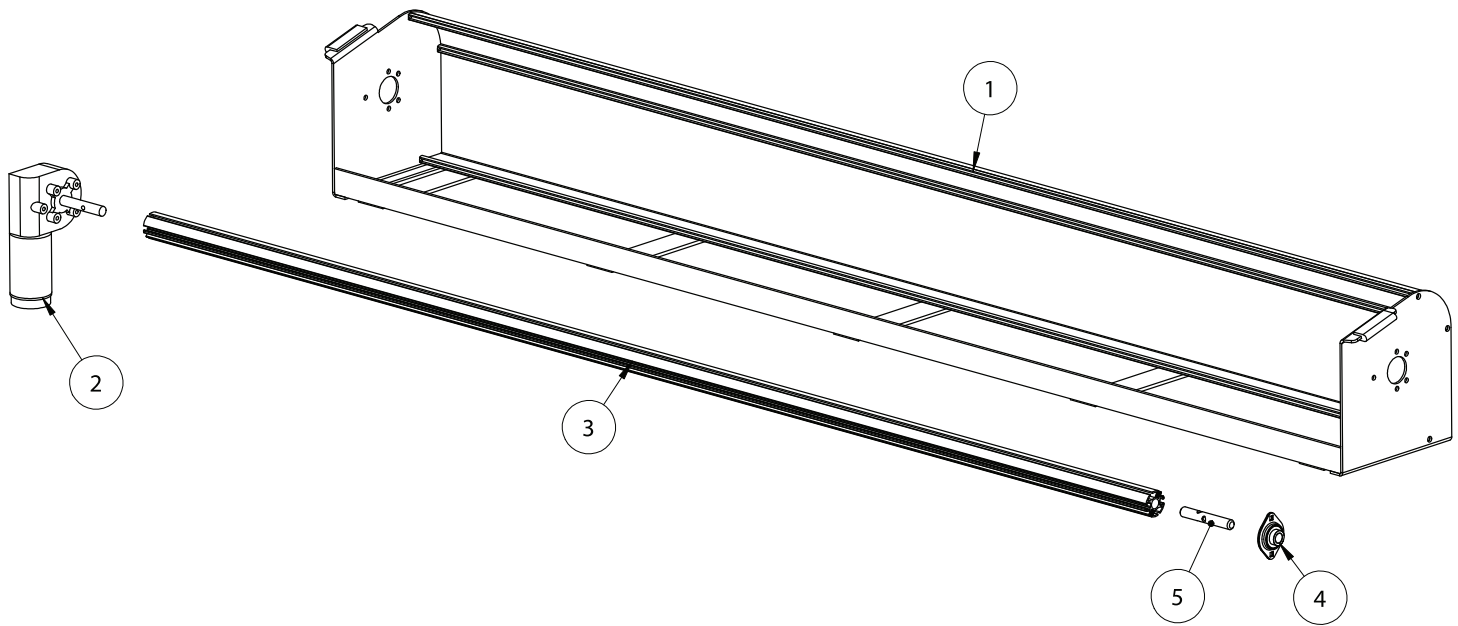
BULLETPROOF ALUMINUM ARM PARTS

14	2	13633	168" Bulletproof Arm
15	1	14521	Steel Cross Tube, 102" Cd
16	2	13634	Underbody Bulletproof Arm Casting
17	2	13632-KIT	Rubber Centering Flanges
18	2	13942	4-Spring Bulletproof Casting

SPRING ASSEMBLY PARTS

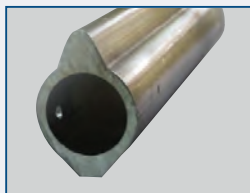
19	2	15084	Spring Mount Offset
20	2	11132	4 Spring Pivot Pin
20	2	11272	5 Spring Pivot Pin
21	VARIABLE	11121	Spiral Torsion Spring
22	4	11141	Stainless Steel Bushing
23	2	11142	Retaining Ring (Snap Ring)
24	1	14190-FENDER	7-Spring Fender Mount Assemblies (Driver And Passenger Side)

SEVERE DUTY PARTS - SYSTEM AND ASSEMBLIES



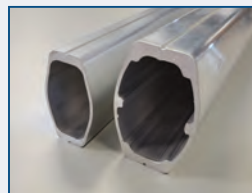
REF.	QTY	PART #	DESCRIPTION
102" SCRAP HAULER ASSEMBLY			
1	1	15089	Scrap Hauler Housing
2	1	15938	90:1 HD Bulletproof Tarp Motor
3	1	11200	Tarp Axle, 101-5/8"
4	1	11139	3/4" Stamped Steel Flange Bearing C.D.
5	1	11201	Spool Shaft 5"

HD Bulletproof, 1-Piece Arm



Part #14748

Severe Duty, 2-Piece Arm



Lower Part #16560
Upper Part #16559

Heavy Duty Axle



Part #11200

HD Bulletproof Tarp Motor (90:1)



Part #15938

SEVERE DUTY PARTS - SYSTEM AND ASSEMBLIES

Sometimes Heavy Duty just won't cut it and that's where US Tarp's Severe Duty system comes in. Covering trailer lengths of up to 54 feet, our Severe Duty kits and parts are built for the long haul and will keep your load safe and secure for the miles ahead.

This system excels in applications such as: Gondola Trailers, Open Top Trailers, Storm Cleanup, Refuse Transfer Trailers, as well as Round Bottom Rubble Tubs.

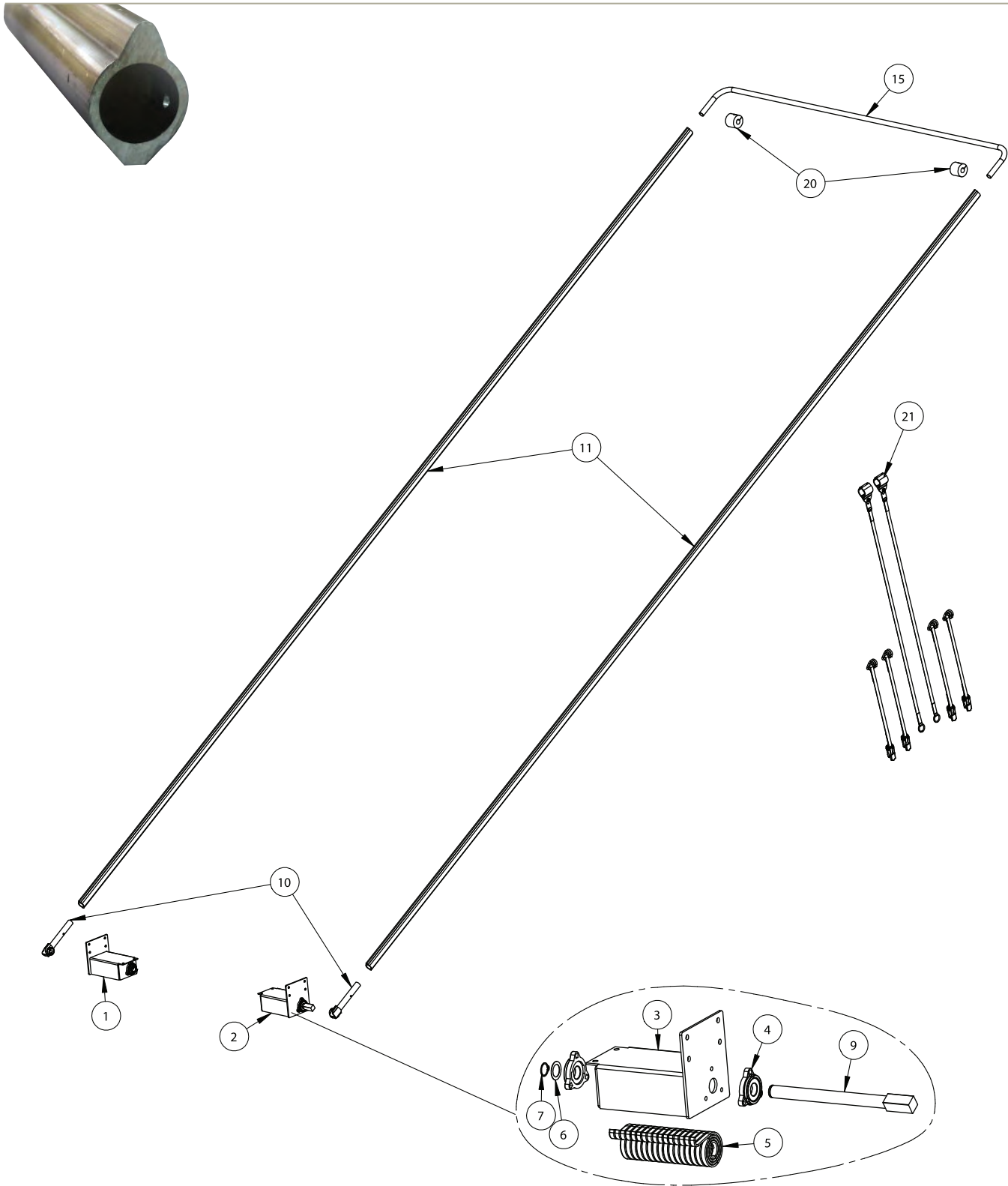
A strong system needs an equally strong tarp and US Tarp provides a variety of options, such as our industry standard Black Mesh, our heavyweight Monster Mesh, and our severe duty block woven Armor Mesh.

PART #	RATED TO:	DESCRIPTION
SEVERE DUTY SYSTEMS*		
16518*	40'	12-Spring Severe Duty System with Two-Piece Arms and 16' Uppers
16502*	48'	16-Spring Severe Duty System with Two-Piece Arms and 16' Uppers
16517*	48'	16-Spring Severe Duty System with 24' HD Bulletproof Arms
16516*	54'	16-Spring Severe Duty System with Two-Piece Arms and 22' Uppers
SEVERE DUTY SPRING ASSEMBLIES		
16473	40'	12-Spring Underbody Assembly for Two-Piece Arm; Driver Side
16474	40'	12-Spring Underbody Assembly for Two-Piece Arm; Passenger Side
16485-HD	48'	16-Spring Underbody Assembly for HD Bulletproof; Driver Side
16486-HD	48'	16-Spring Underbody Assembly for HD Bulletproof; Passenger Side
16469-HD	54'	16-Spring HD Underbody Assembly for Two-Piece Arm; Driver Side
16470-HD	54'	16-Spring HD Underbody Assembly for Two-Piece Arm; Passenger Side
SEVERE DUTY ARM KITS**		
16476	40'	12-Spring Severe Duty Underbody Arm Kit with Two-Piece Lower & 16' Uppers
16527	48'	16-Spring Severe Duty Underbody Arm Kit with Two-Piece Lower & 16' Uppers
16522	48'	16-Spring Severe Duty Underbody Arm Kit with 24' HD Bulletproof Arms
16475	54'	16-Spring Severe Duty Underbody Arm Kit with Two-Piece Lower & 22' Uppers
SEVERE DUTY ARM HOLD DOWN KITS		
16599	-	Arm Restraint Kit for Two-Piece Arm Kits with Cable
16505	-	Arm strap Kit for Two-Piece Arm Kits with 1" Strapping
16602	-	Arm Restraint Kit for HD Bulletproof Arm Kits with Cable
16519	-	Arm Strap Kit for HD Bulletproof Arms with 1" Strapping

*Assembled Scrap Hauler Housing for 102" Body

**Arm Kits do not include Arm Hold Down Kits

SEVERE DUTY PARTS - ONE PIECE SYSTEM



SEVERE DUTY PARTS - ONE PIECE SYSTEM

REF.	QTY	PART #	DESCRIPTION
------	-----	--------	-------------

SEVERE DUTY 1-PIECE ARM KIT

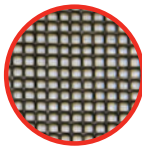
1	1	16485-HD	16-Spring Severe Duty Spring Assembly for 1-Piece Arm; Driver Side
2	1	16486-HD	16-Spring Severe Duty Spring Assembly for 1-Piece Arm; Passenger Side
10	2	15717	Underbody Bulletproof Arm Casting
11	2	14748	24ft HD Bulletproof Arm
15	1	14522	Steel 1-Piece Cross Tube for 102" Trailers (108"C.D.)
20	2	13632	Black Rubber Bumper for Steel Cross Tube w/Bolt
21	1	16602	Arm Strap Kit for 1-Piece Severe Duty Arms
**	2	14835	Open Top Housing Support Brace

SEVERE DUTY 1-PIECE SPRING ASSEMBLY

3	1	16467-HD	16-Spring Housing; Driver Side
3	1	16468-HD	16-Spring Housing; Passenger Side
4	2	47800	1-1/4" 3-Bolt Cast Flange Bearing
5	16	11121	Spiral Torsion Spring
6	1	11141	Stainless Steel Bushing for Pivot Pin
7	1	11142	External Retaining Ring for Pivot Pin
9	1	16490	16-Spring Shaft for 1-Piece Arm; 1-1/4" Sq Connector

Tarp Options

See All Tarp Materials on Pages 70 and 71.



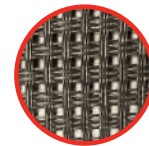
BLACK MESH & MULTI-COLOR MESH

The industry standard cargo control mesh. Medium weight, PVC-coated polyester recommended for rock, sand, gravel, and brush.



MONSTER MESH

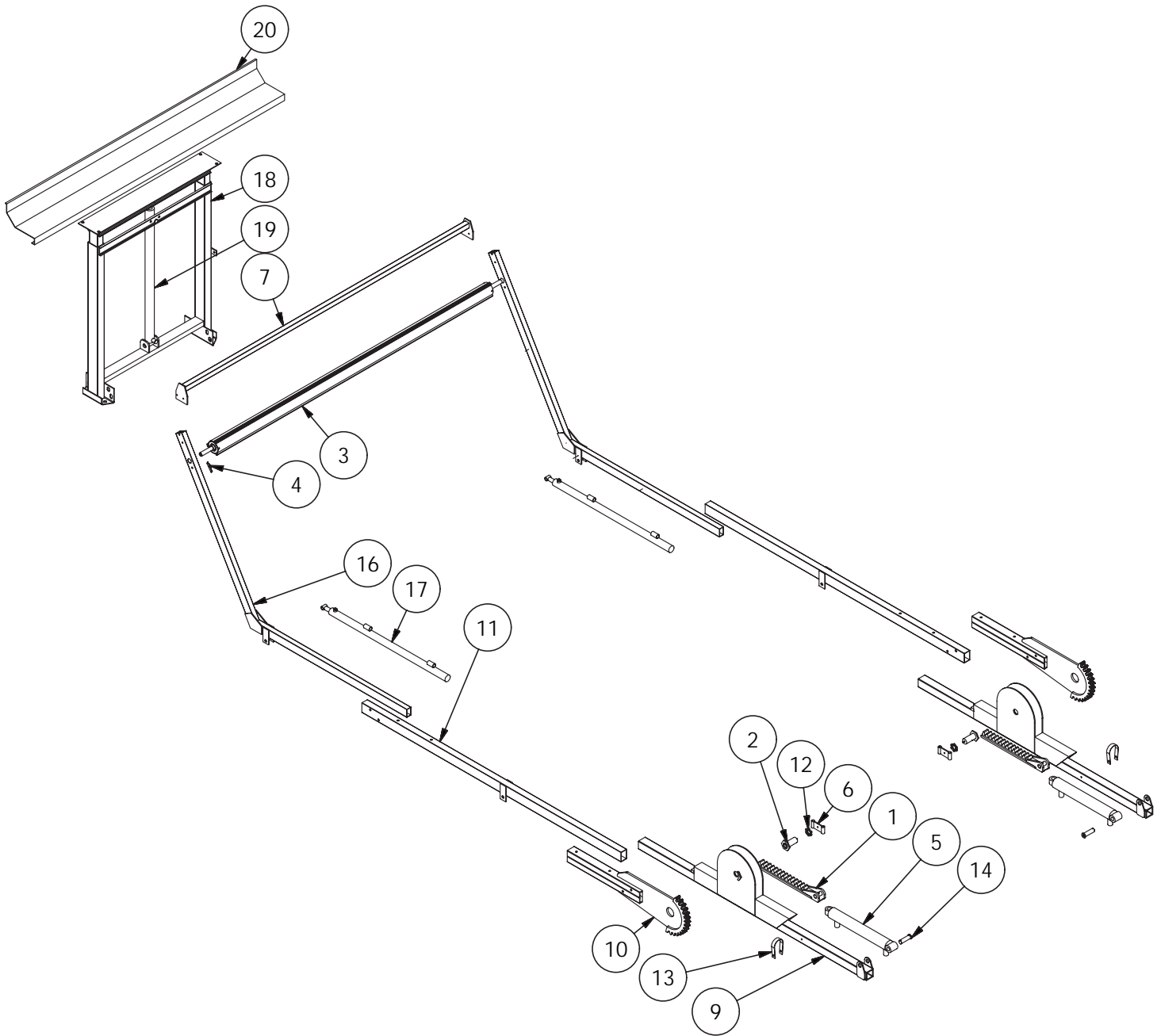
Heavyweight tightly woven mesh with 50% more threads than our HD. PVC-coated polyester. Perfect for refuse and storm clean-up applications.



ARMOR MESH

Severe duty block woven 5x5 PVC-coated polyester mesh. Provides outstanding performance in recycling, refuse, demo, and storm clean-up applications.

RACK & PINION* TARP SYSTEM



RACK & PINION* TARP SYSTEM

REF.	QTY	PART #	DESCRIPTION
------	-----	--------	-------------

RACK & PINION REPLACEMENT PARTS

1	2	A3868B	Rack Gear Assembly
2	2	A3881	Arm Pivot Pin with Grease Fitting
3	1	H7002A	Aluminum Spring Roller Assembly
3	1	H7002C	Steel Spring Roller Assembly
4	1	HR4788	Pawl for Roller Assembly
5	2	HR4719	16" Stroke Cylinder
6	2	HR4728	Swivel Hose Clamp Assembly
7	1	HR4753	Stabilizer Bar
8	1	A4006A-1	Mounting Bracket Assembly, Right - Passengers Side
9	1	A4005A-1	Mounting Bracket Assembly, Left - Drivers Side
10	2	HR4760	Base Arm Gear Assembly
11	2	HR4750	Base Arm, 93-1/4"
12	2	HR4785	Castle Nut for Pivot Pin
13	2	HR4731	Cylinder Hold Down Strap
14	2	A3883	Cylinder Pin - Long
15	2	D18836	Cylinder Pin
16	2	HR4751	Arm Extension
17	2	HR4752	36" Stroke Telescopic Arm Cylinder
18-20	1	Ask About Gantry and Roll-Rest Options	

PART #	US TARP PART #	DESCRIPTION
--------	----------------	-------------

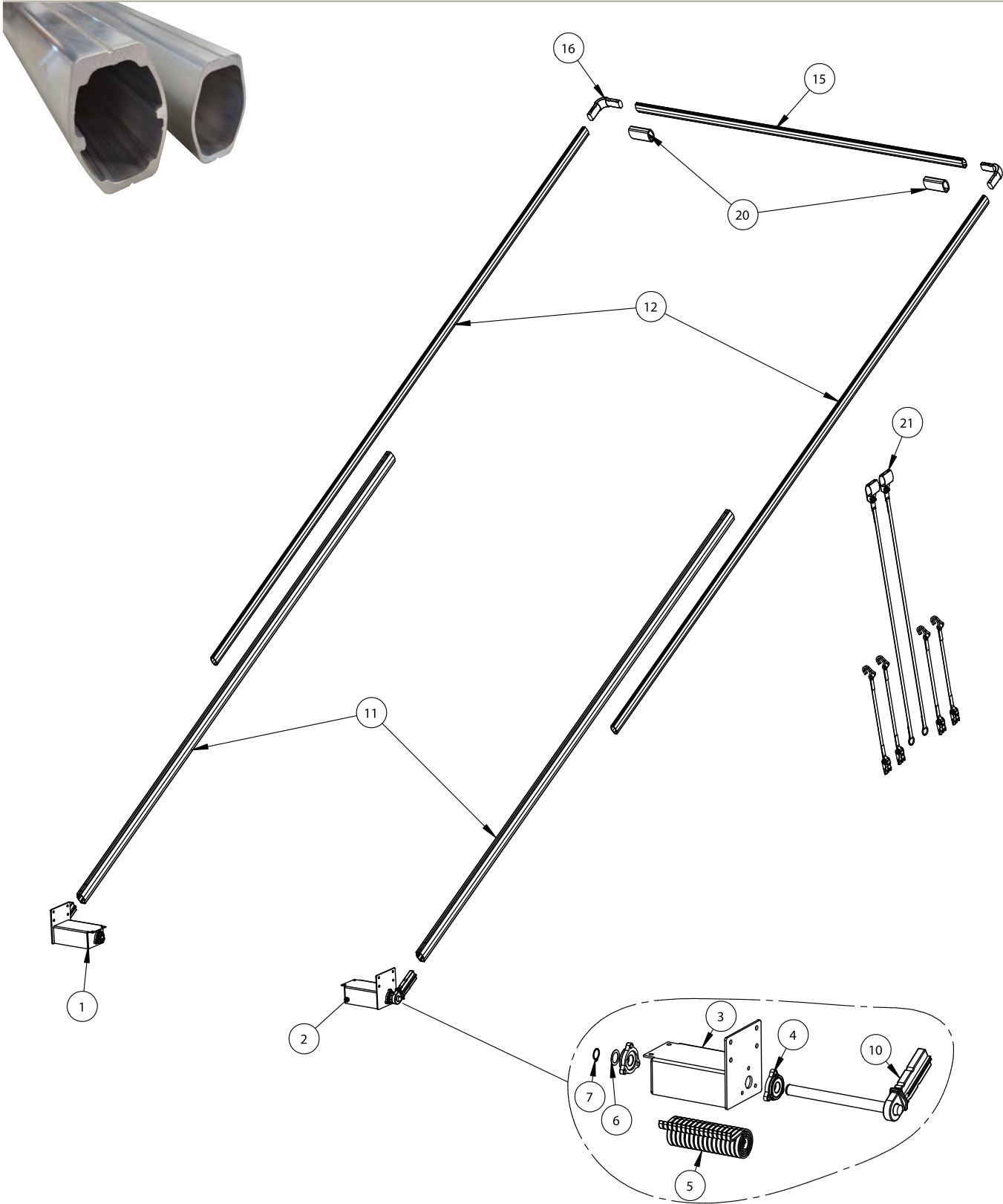
RACK & PINION TARPS

HR4616	96-28-MC	8'x28' Multi-Color Mesh Tarp
HR4616	96-28-BM	8'x28' Black Mesh Tarp
HR4616	96-28-MM	8'x28' Monster Mesh Tarp
HR4616	96-28-AM	8'x28' Armor Mesh Tarp
HR4759	114-28-MC-R	9'6"x28' Multi-Color Mesh w/ Shock Cord and 6' Vinyl Reinforcements
HR4759	114-28-BM-R	9'6"x28' Black Mesh w/ Shock Cord and 6' Vinyl Reinforcements
HR4759	114-28-MM-R	9'6"x28' Monster Mesh w/ Shock Cord and 6' Vinyl Reinforcements
HR4616	114-28-AM-R	9'6"x28' Armor Mesh w/ Shock Cord and 6' Vinyl Reinforcements

**Item not shown. *Oversized items, over length shipping rates apply.

◆ Wastequip LLC owns the exclusive rights to the registered trademark "Rack 'n Pinion®," the use of similar terms such as "Rack & Pinion" in our communications is not intended to infringe upon their trademark rights and is not intended to imply endorsement, affiliation, or association with Wastequip LLC.

SEVERE DUTY PARTS - TWO PIECE SYSTEM



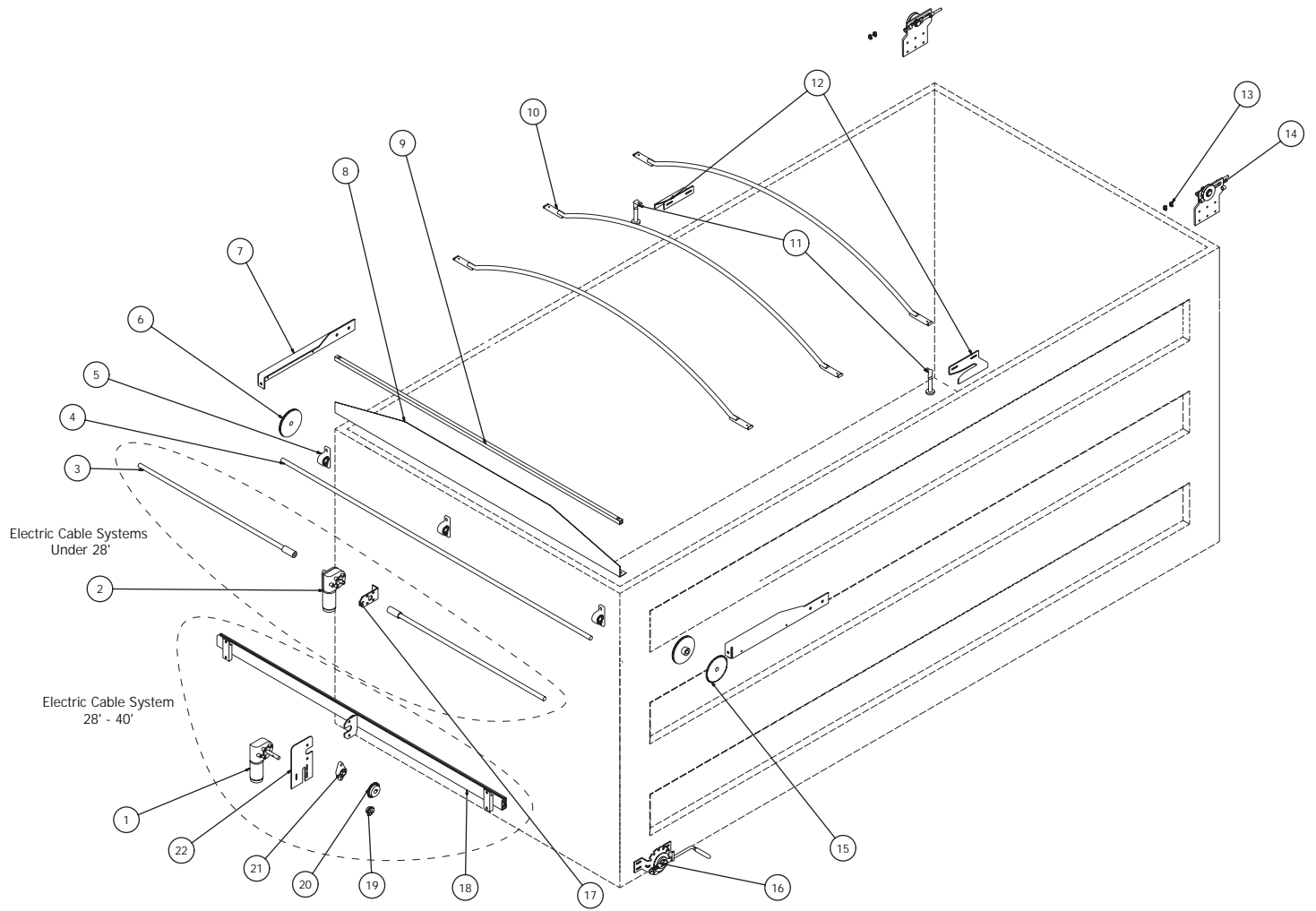
SEVERE DUTY PARTS - TWO PIECE SYSTEM

REF.	QTY	PART #	DESCRIPTION
SEVERE DUTY 2-PIECE ARM KIT			
1	1	16473	12-Spring Severe Duty Spring Assembly for 2-Piece Arm; Driver Side
1	1	16469-HD	16-Spring Severe Duty Spring Assembly for 2-Piece Arm; Driver Side
2	1	16474	12-Spring Severe Duty Spring Assembly for 2-Piece Arm; Passenger Side
2	1	16470-HD	16-Spring Severe Duty Spring Assembly for 2-Piece Arm; Passenger Side
11	2	16561	104" Severe Duty Lower Arm
11	2	16560*	160" Severe Duty Lower Arm
12	2	16555*	192" Severe Duty Lower Arm
12	2	16559*	264" Severe Duty Lower Arm
15	1	16558	103" Severe Duty Cross Tube
16	2	16557	Severe Duty Upper Corner
20	2	16556	Severe Duty Centering Flange
21	1	16599	Arm Strap Kit for 2-Piece Severe Duty Arms
**	2	14835	Open Top Support Brace

SEVERE DUTY 2-PIECE SPRING ASSEMBLY

3	1	16471	12-Spring Housing; Driver Side
3	1	16472	12-Spring Housing; Passenger Side
3	1	16467-HD	16-Spring Housing HD; Driver Side
3	1	16468-HD	16-Spring Housing HD; Passenger Side
4	2	47800	1-1/4" 3-Bolt Cast Flange Bearing
5	12 OR 16	11121	Spiral Torsion Spring
6	1	11141	Stainless Steel Bushing
7	1	11142	External Retaining Ring
10	1	16562	12-Spring Severe Duty Lower Casting for 2-Piece Arm; Driver Side
10	1	16563	12-Spring Severe Duty Lower Casting for 2-Piece Arm; Passenger Side
10	1	16553	16-Spring Severe Duty Lower Casting for 2-Piece Arm; Driver Side
10	1	16554	16-Spring Severe Duty Lower Casting for 2-Piece Arm; Passenger Side

CABLE TARP SYSTEM



CABLE TARP SYSTEM

REF.	QTY	PART #	DESCRIPTION
CABLE TARP SYSTEM REPLACEMENT PARTS*			
1	1	13957-KEYWAY	90:1 Bulletproof Tarp Motor with Keyway
2	1	13957-DUAL	90:1 Bulletproof Tarp Motor with Dual Shaft
3	2	15631	1" Pulley Shaft with Coupler
4	1	14287	1" Steel Shaft, Cut to Size
5	2 or 3	14533	1" Pillow Block Bearing, 4-1/2 C.D.
6	2	14674	7" Cable Pulley
7	1	15674R	Passenger Side Cable Ramp
7	1	15674L	Drive Side Cable Ramp
7	1	15675	Cable Ramp Kit
8	1	14291-95	Aluminum Wind Deflector, 95" Length Standard
8	1	14291-101	Aluminum Wind Deflector, 101" for 102" Wide Body
9	1	14288	Steel Tarp Tension Bar, 95" Length Standard
9	1	14288-101	Steel Tarp Tension Bar, 101" for 102" Wide Body
10	Varies	13810	Cable System Bows: 98" Pin Centers x 12" Rise
10	Varies	15188	Cable System Bows: 104" Pin Centers x 12" Rise
10	Varies	14953	Custom Bow: Specify Width and Rise
10	Varies	14954	Custom Bow with Square Sliders: Specify Width and Rise
11	2	15504	6" Anti-Lift Post
11	2	15505	4" Anti-Lift Post (added on Systems 28' and up)
12	1 or 2	15502	Aluminum Anti-Lift Bracket - Drivers Side
12	1 or 2	15503	Aluminum Anti-Lift Bracket - Passenger Side
11, 12	1	14242	6" Anti-Lift Kit
11, 12	1	14242SHORT	4" Anti-Lift Kit (added on Systems 28' and up)
13	4	14290	Cable Clip
14	1	14786A-L	Rear Cable Mount ASM, Aluminum, Driver
14	1	14786A-R	Rear Cable Mount ASM, Aluminum, Passenger
14	1	14786S-L	Rear Cable Mount ASM, Steel, Driver
14	1	14786S-R	Rear Cable Mount ASM, Steel, Passenger
**	Varies	14289	1/4" Steel Aircraft Cable
15	1	14675	42-Tooth Sprocket
16	1	11140	Chain Crank Assembly for Cable System
**	1	11285	#40 Chain, 12'
17	1	15530	Dual Shaft Motor-Mounting Plate
18	1	16342	KBAR w/ Bearing and Motor Mounts Only, 95"
18	1	16343	KBAR w/ Bearing and Motor Mounts Only, 101"
19	1	14873	#50 3/4" 10-Tooth Single Strand Fin. Bore Sprocket with Key
20	1	14874	#50 1" 18-Tooth Single Strand Fin. Bore Sprocket with Key
**	1	14872	#50 Chain, 1'
21	1	14133	1" Cast Iron Flange-Mount Bearing, 3-57/64" C.D.
22	1	14914	Motor-Mounting Plate
**	1	16335	Hardware Kit for Front Pre-Assembly - Electrical Cable System
**	1	16335-M	Hardware Kit for Front Pre-Assembly - Manual Cable System
**	1	16336	Hardware Kit for Cable System - Final Assembly
**	1	ECAB-KBAR-ASSY	95" KBAR, Dual Motor, Pulleys, Bearings, Shaft Assembly
**	Varies	ECAB-KBAR-ASSY-102	101" KBAR, Dual Motor, Pulleys, Bearings, Shaft Assembly

LENGTH	VINYL PARTS #	VINYL PART #	LENGTH	MESH PARTS #	MESH PART #
CABLE SYSTEMS REPLACEMENT TARPS*					
16'	102-16-BV-CABLE	108-16-BV-CABLE	16'	92-16-BM-CABLE	96-16-BM-CABLE
18'	102-18-BV-CABLE	108-18-BV-CABLE	18'	92-18-BM-CABLE	96-18-BM-CABLE
20'	102-20-BV-CABLE	108-20-BV-CABLE	20'	92-20-BM-CABLE	96-20-BM-CABLE
22'	102-22-BV-CABLE	108-22-BV-CABLE	22'	92-22-BM-CABLE	96-22-BM-CABLE
24'	102-24-BV-CABLE	108-24-BV-CABLE	24'	92-24-BM-CABLE	96-24-BM-CABLE
26'	102-26-BV-CABLE	108-26-BV-CABLE	26'	92-26-BM-CABLE	96-26-BM-CABLE
28'	102-28-BV-CABLE	108-28-BV-CABLE	28'	92-28-BM-CABLE	96-28-BM-CABLE
30'	102-30-BV-CABLE	108-30-BV-CABLE	30'	92-30-BM-CABLE	96-30-BM-CABLE
32'	102-32-BV-CABLE	108-32-BV-CABLE	32'	92-32-BM-CABLE	96-32-BM-CABLE
34'	102-34-BV-CABLE	108-34-BV-CABLE	34'	92-34-BM-CABLE	96-34-BM-CABLE
36'	102-36-BV-CABLE	108-36-BV-CABLE	36'	92-36-BM-CABLE	96-36-BM-CABLE
38'	102-38-BV-CABLE	108-38-BV-CABLE	38'	92-38-BM-CABLE	96-38-BM-CABLE
40'	102-40-BV-CABLE	108-40-BV-CABLE	40'	92-40-BM-CABLE	96-40-BM-CABLE

*On BV Tarps 102" wide tarps for 96" wide bodies and 108" wide tarps for 102" wide bodies. All part numbers are for 98" side bows, please use the -102 suffix to make any cable part numbers setup for 102" box

**Item not shown. *Oversized items, over length shipping rates apply.

CABLE TARP SYSTEM

LENGTH	VINYL PART #	MESH PART #
MANUAL CRANK CABLE TARP SYSTEMS WITH TARP		
16'	CAB16BV	CAB16BM
18'	CAB18BV	CAB18BM
20'	CAB20BV	CAB20BM
22'	CAB22BV	CAB22BM
24'	CAB24BV	CAB24BM
26'	CAB26BV	CAB26BM
28'	CAB28BV	CAB28BM
30'	CAB30BV	CAB30BM
32'	CAB32BV	CAB32BM
34'	CAB34BV	CAB34BM
36'	CAB36BV	CAB36BM
38'	CAB38BV	CAB38BM
40'	CAB40BV	CAB40BM

ELECTRIC CABLE TARP SYSTEMS WITH TARP		
16'	ECAB16BV	ECAB16BM
18'	ECAB18BV	ECAB18BM
20'	ECAB20BV	ECAB20BM
22'	ECAB22BV	ECAB22BM
24'	ECAB24BV	ECAB24BM
26'	ECAB26BV	ECAB26BM
28'	ECAB28BV	ECAB28BM
30'	ECAB30BV	ECAB30BM
32'	ECAB32BV	ECAB32BM
34'	ECAB34BV	ECAB34BM
36'	ECAB36BV	ECAB36BM
38'	ECAB38BV	ECAB38BM
40'	ECAB40BV	ECAB40BM

Aluminum Front Mounting Bar



Add -KBAR to System

Polished Aluminum Wind Deflector



Add -WD to System

Dual Conductor Plug Sets Vertical



Vertical Part #11264
Horizontal Part #14566

Set up for 104" Tarp Bow



Add -104 to System

Custom Bow Sizes



Add -C to System

Square Tarp Bow End



Add -SQ to System

90:1 Bulletproof Tarp Motor



Part #13957-KEYWAY

Chain Crank Assembly



Part #11140

#40 Chain/Master Link



Part #11285

Rear Cable Mount



#14786A

SIDE ROLL TARP SYSTEM

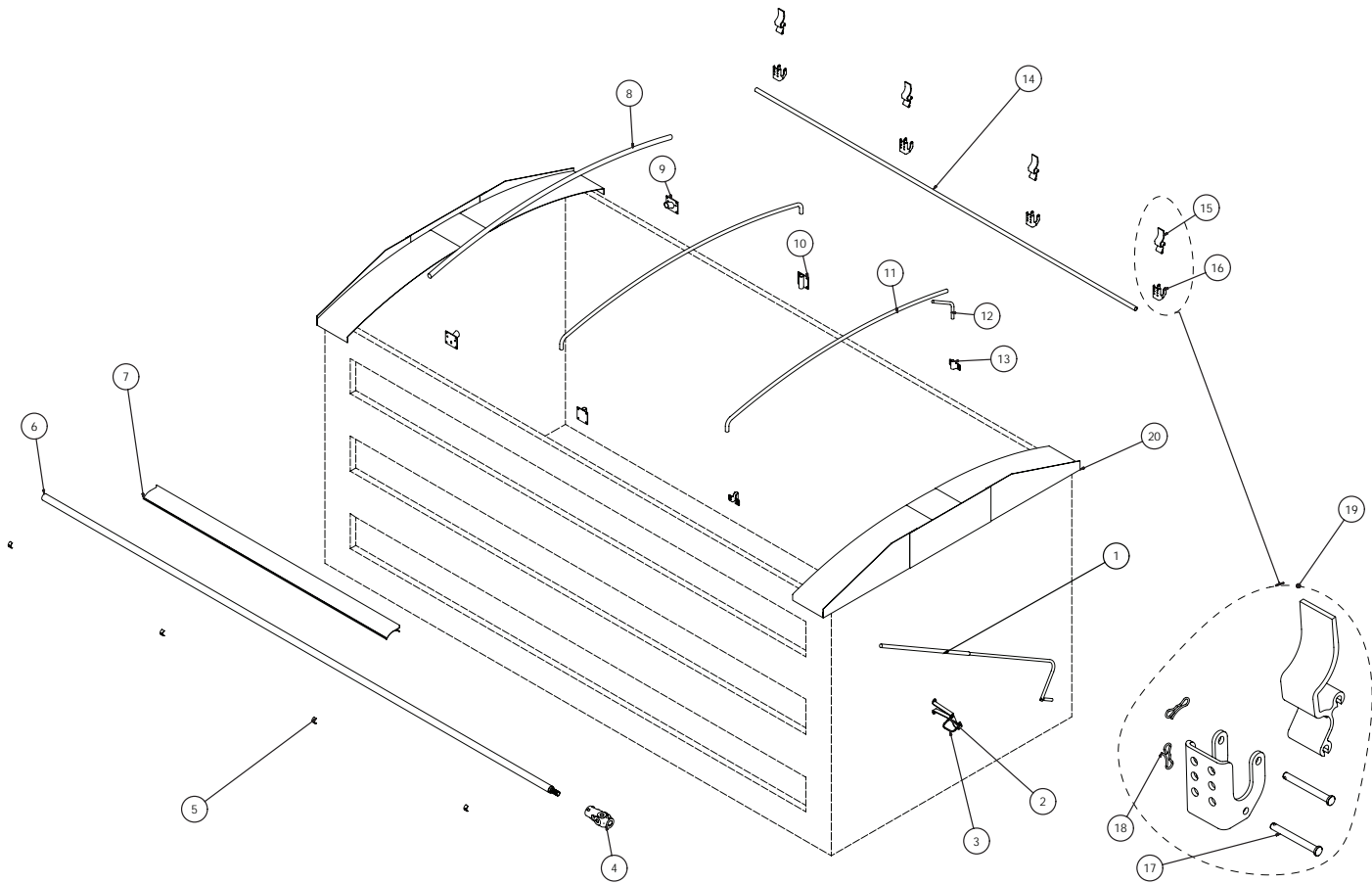


BASE SYSTEM	PART #	TARP OPTIONS* -22BV 22 OZ BLACK VINYL	TARP STOP OPTIONS* -ACS ALUMINUM CAST -AC6 ALUMINUM CAST 6" OFFSET	END CAP OPTIONS* -FEC FABRIC END CAPS FRONT & BACK -AEC ALUMINUM END CAPS FRONT & BACK
-------------	--------	--	--	--

***LEAVE BLANK FOR STANDARD TARP, TARP STOP AND END CAPS**

Up to 10'	AG10BV	-22BV	-ACS or -AC6	-FEC or -AEC
11' – 15'	AG15BV	-22BV	-ACS or -AC6	-FEC or -AEC
16' – 20'	AG20BV	-22BV	-ACS or -AC6	-FEC or -AEC
21' – 25'	AG25BV	-22BV	-ACS or -AC6	-FEC or -AEC
26' – 30'	AG30BV	-22BV	-ACS or -AC6	-FEC or -AEC
31' – 35'	AG35BV	-22BV	-ACS or -AC6	-FEC or -AEC
36' – 40'	AG40BV	-22BV	-ACS or -AC6	-FEC or -AEC
41' – 45'	AG45BV	-22BV	-ACS or -AC6	-FEC or -AEC
46' – 50'	AG50BV	-22BV	-ACS or -AC6	-FEC or -AEC
51' – 54'	AG54BV	-22BV	-ACS or -AC6	-FEC or -AEC

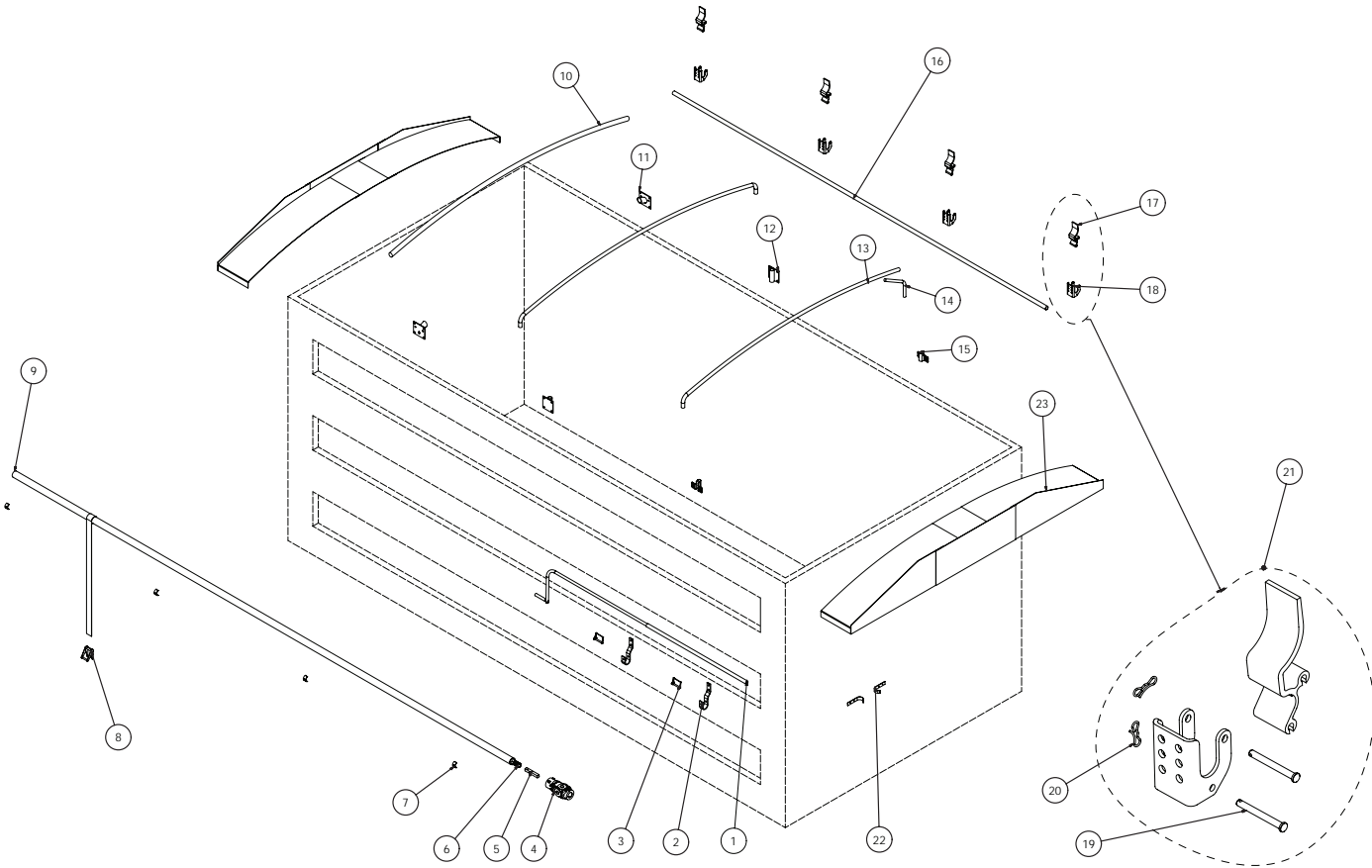
SIDE ROLL TARP SYSTEM



SIDE ROLL TARP SYSTEM

REF.	QTY	PART #	DESCRIPTION
SIDE ROLL SYSTEM REPLACEMENT PARTS*			
1	1	1100816	Standard Crank Arm Kit With 80" Extension
2	2	1100386	Crank Retainer Kit With 7" Standoff
2	2	1107047	Pinless Crank Retainer Kit With 7" Standoff
3	2	1700526	Wire Lock Pin - 3/8" X 2-1/2"
4	1	1701243	Splined U-Joint
5	Varies	1701354	Plastic U-Clamps
6	Varies	1107058	Roll Tube - 2" X 21 Ft With Spline And Swage
7	Varies	1700522	Aluminum Side Mount Latch Plate; 8 Ft
7	Varies	15457	Aluminum Side Mount Latch Plate; 21' 6"
8	Varies	1705128	Flex Bow; 1-3/8" Dia. - 97"
8	Varies	1705129	Flex Bow; 1-3/8" Dia. - 102"
9	Varies	1122932	Steel Flex Bow Bracket
9	Varies	1705324	Aluminum Flex Bow Bracket
10	Varies	1109110	Aluminum Bow Bracket
11	Varies	1100760	Galvanized Bow - Low Rise 93" To 102"
11	Varies	1117905	Galvanized Bow - High Rise 89" To 95"
11	Varies	1100762	Galvanized Bow - High Rise 96" To 102"
12	Varies	1100695	Steel Bow Shank - Low Rise
12	Varies	1106925	Steel Bow Shank - High Rise
12	Varies	1122822	9" Adjustable Bow Shank
13	Varies	1120836	Steel Single Bow Bracket
14	Varies	1700049	Fixed Tube - 1-1/8" X 19 Ft
15	Varies	1100834-EXT	Aluminum Extruded Tarp Stop Upright
15	Varies	1100834-CAST	Aluminum Cast Tarp Stop Upright
15	Varies	1105168	Aluminum Cast 6" Offset Tarp Stop Upright
16	Varies	1100833	Tarp Stop Body
17	Varies	1703604	Clevis Pin - 5/16" X 2-7/8" For Tarp Stop
18	Varies	1704380	Bowtie Cotter Pin For Tarp Stop
19	Varies	15946	Aluminum Extruded Tarp Stop Kit With Mounting Hardware
19	Varies	1124780	Aluminum Cast Tarp Stop Kit With Mounting Hardware
19	Varies	1124783	Aluminum Cast 6" Offset Tarp Stop Kit With Mounting Hardware
20	2	16361	3-Piece Universal Aluminum End Cap (Front Or Rear) - 90" To 104"
**	1	1100171	Standard Crank Arm; 24"
**	1	1101931	Flex Crank Arm With 40" Extension
**	1	1107918	Flex Crank Arm With 54" Extension
**	1	1107918-C	Flex Crank Arm With Custom Length Extension; Per Foot
**	Varies	1107076	Roll Tube Swaged Connector
**	1	1114359	Front Stretch Cord Roll Return Kit
**	1	1100138	Roll Tube End Plug
**	Varies	1123541	102" Flex Bow Kit With Steel Brackets
**	Varies	1123542	102" Flex Bow Kit With Aluminum Brackets
**	Varies	1123544	97" Flex Bow Kit With Steel Brackets
**	Varies	1123545	97" Flex Bow Kit With Aluminum Brackets
**	1	1101685	Ridge Strap Kit With Anchor - 1" X 25 Ft
**	1	1101686	Ridge Strap Kit With Anchor - 1" X 39 Ft
**	1	1101687	Ridge Strap Kit With Anchor - 1" X 46 Ft
**	1	1107068	Ridge Strap Kit With Anchor - 1" X 56 Ft
**	1	1100783	Ridge Strap Kit With Anchor - 2" X 25 Ft
**	1	1100784	Ridge Strap Kit With Anchor - 2" X 39 Ft
**	1	1100774	Ridge Strap Kit With Anchor - 2" X 46 Ft
**	1	1107069	Ridge Strap Kit With Anchor - 2" X 56 Ft
**	Varies	1700650	Rubber Strap With Hooks - 21 In
**	Varies	1700682	Box Hook

BELT & RATCHET TARP SYSTEM



BASE SYSTEM	PART #	TARP OPTIONS* -22BV 22 OZ BLACK VINYL	TARP STOP OPTIONS* -ACS ALUMINUM CAST -AC6 ALUMINUM CAST 6" OFFSET	END CAP OPTIONS* -FEC FABRIC END CAPS FRONT & BACK -AEC ALUMINUM END CAPS FRONT & BACK
-------------	--------	--	--	--

***LEAVE BLANK FOR STANDARD TARP, TARP STOP AND END CAPS**

11' – 15'	PBR15BV	-22BV	-ACS or -AC6	-FEC or -AEC
16' – 20'	PBR20BV	-22BV	-ACS or -AC6	-FEC or -AEC
21' – 25'	PBR25BV	-22BV	-ACS or -AC6	-FEC or -AEC
26' – 30'	PBR30BV	-22BV	-ACS or -AC6	-FEC or -AEC
31' – 35'	PBR35BV	-22BV	-ACS or -AC6	-FEC or -AEC
36' – 40'	PBR40BV	-22BV	-ACS or -AC6	-FEC or -AEC
41' – 45'	PBR45BV	-22BV	-ACS or -AC6	-FEC or -AEC
46' – 50'	PBR50BV	-22BV	-ACS or -AC6	-FEC or -AEC
51' – 54'	PBR54BV	-22BV	-ACS or -AC6	-FEC or -AEC



Vinyl Tarp Repair Kit - Part #15452
 XL Vinyl Tarp Repair Kit - Part #15452-XL
 Vinyl Tarp Repair Kit w/Thinner - Part #16418
 Vinyl Tarp Repair Kit w/Thinner - Part #16418-XL

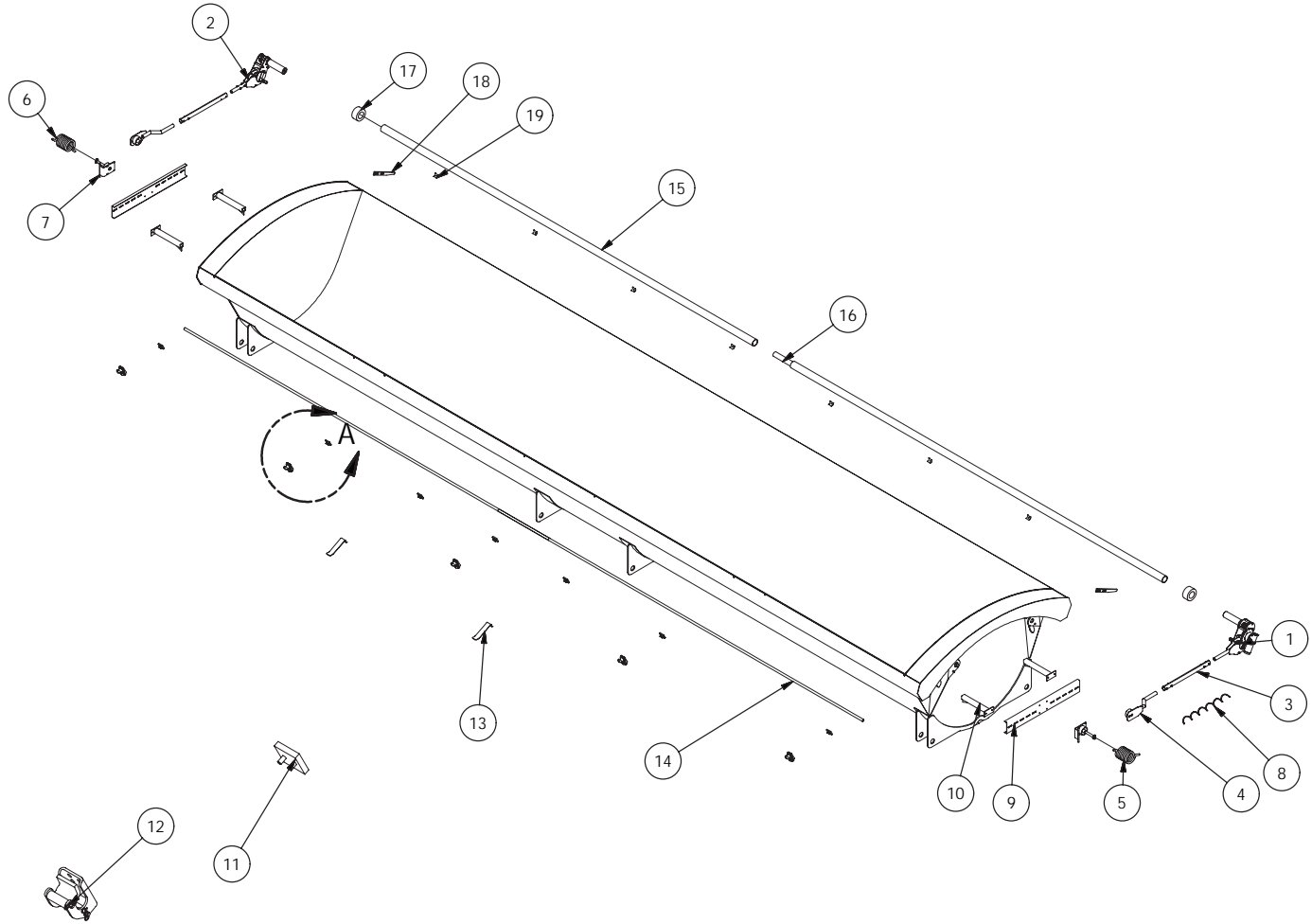


4" Tarp Tape (per ft) – Part #15983
 6" Tarp Tape (per ft) – Part #16214

BELT & RATCHET TARP SYSTEM

REF.	QTY	PART #	DESCRIPTION
PREMIUM BELT & RATCHET TARP REPLACEMENT PARTS			
1	1	1100461	Offset Crank Arm
2	2	1101930	Offset J-Hook Crank Retainer
2	2	1100386	Crank Retainer Kit With 7" Stand Off
3	2	1700526	Wire Lock Pin - 3/8" X 2-1/2"
4	1	1700527	1" U-Joint
5	1	1115774	1" Square Connector Key
6	1	1105033	Roll Tube Square Key Weldment
7	Varies	1701354	Plastic U-Clamp
8	Varies	1107225	Strap Hold Down Kit With Hook
8	Varies	1106772	Strap Hold Down Kit With Hook; 9 Ft Length
9	Varies	1700046	Roll Tube - 2" X 21 Ft With Swage
10	Varies	1705128	Flex Bow; 1-3/8" Dia. - 97"
10	Varies	1705129	Flex Bow; 1-3/8" Dia. - 102"
11	Varies	1122932	Steel Flex Bow Bracket
11	Varies	1705324	Aluminum Flex Bow Bracket
12	Varies	1109110	Aluminum Bow Bracket
13	Varies	1100760	Galvanized Bow - Low Rise; 93" To 102"
13	Varies	1117905	Galvanized Bow - High Rise; 89" To 95"
13	Varies	1100762	Galvanized Bow - High Rise; 96" To 102"
14	Varies	1100695	Steel Bow Shank - Low Rise
14	Varies	1106925	Steel Bow Shank - High Rise
14	Varies	1122822	9" Adjustable Bow Shank
15	Varies	1120836	Single Bow Bracket
16	Varies	1700049	Fixed Tube - 1-1/8" X 19 Ft
17	Varies	1100834-Ext	Aluminum Extruded Tarp Stop Upright
17	Varies	1100834-Cast	Aluminum Cast Tarp Stop Upright
17	Varies	1105168	Aluminum Cast 6" Offset Tarp Stop Upright
18	Varies	1100833	Tarp Stop Body
19	Varies	1703604	Clevis Pin - 5/16" X 2-7/8"
20	Varies	1704380	Bowtie Cotter Pin
21	Varies	15946	Aluminum Extruded Tarp Stop Kit With Mounting Hardware
21	Varies	1124780	Aluminum Cast Tarp Stop Kit With Mounting Hardware
21	Varies	1124783	Aluminum Cast 6" Offset Tarp Stop Kit With Mounting Hardware
22	4	12282	J-Hooks
23	2	16361	3-Piece Universal Aluminum End Cap (Front Or Rear) - 90" To 104"
**	Varies	1107076	Roll Tube Swaged Connector
**	Varies	1123541	102" Flex Bow Kit With Steel Brackets
**	Varies	1123542	102" Flex Bow Kit With Aluminum Brackets
**	Varies	1123544	97" Flex Bow Kit With Steel Brackets
**	Varies	1123545	97" Flex Bow Kit With Aluminum Brackets
**	1	1101685	Ridge Strap Kit With Anchor - 1" X 25 Ft
**	1	1101686	Ridge Strap Kit With Anchor - 1" X 39 Ft
**	1	1101687	Ridge Strap Kit With Anchor - 1" X 46 Ft
**	1	1107068	Ridge Strap Kit With Anchor - 1" X 56 Ft
**	1	1100783	Ridge Strap Kit With Anchor - 2" X 25 Ft
**	1	1100784	Ridge Strap Kit With Anchor - 2" X 39 Ft
**	1	1100774	Ridge Strap Kit With Anchor - 2" X 46 Ft
**	1	1107069	Ridge Strap Kit With Anchor - 2" X 56 Ft
**	Varies	1700650	Rubber Strap With Hooks - 21 In
**	Varies	1700682	Box Hook

SIDE DUMP TARP SYSTEM



Dual Conductor Plug Kits



Vertical Part #11264
Horizontal Part #14566

Coiled Wire 15'



Part #14993

Complete Coiled Wiring Kit



Vertical Part #14993-VKIT
Horizontal Part #14993-HKIT

Idler Head Assembly



Part #15116

Lower Pivoting Arm



Part #15094

SIDE DUMP TARP SYSTEM

REF.	QTY	PART #	DESCRIPTION
SIDE DUMP SYSTEM REPLACEMENT PARTS			
1	1	15092	POWER HEAD ASSEMBLY
2	1	15116	IDLER HEAD ASSEMBLY
3	2	15093	BULLETPROOF ARM,29-3/4"
4	2	15094	LOWER PIVOT ARM
5	1	14776	RIGHT HAND WOULD 3/4" COIL SPRING, FRONT
6	1	14775	LEFT HAND WOULD 3/4" COIL SPRING, REAR
7	2	15095	PIVOT PIN
8	1	14993	15' COILED 6GA WIRE
**	2	16400	UNIVERSAL MOUNTING BRACKET KIT
9	2	16397	MOUNTING BRACKET CHANNEL
10	4	16396	MOUNTING BRACKET LEG
11	7	16402	WELDABLE STUD PLATE
12	5	16401	CLAMP KIT FOR STATIONARY TUBE
13	2	16403	TARP CADDIE
14	1-2	1700049	STATIONARY PIPE, 20'
15	1-2	15090	ALUMINUM ROLL PIPE, 20'
16	1	15091	ALUMINUM CONNECTION SLEEVE
**	1	15090-SD	AL CONNECTOR WELDED INTO AL ROLL TUBE
17	2	14777	TRACTION ROLLER
18	2	15098	ROLLER GUIDE BAR
19	7	15099	NYLON U-CLAMP
**	1	12250-ROCKER	EZ SWITCH KIT
**	1	15799	HARDWARE KIT
**	2	16376	HD GRIP TAPE 2'

ELECTRIC SIDE DUMP KIT AND SYSTEM WITH TARP

Length	Black Vinyl Parts #	Black Mesh Part #
20'	SD20BV	SD20BM
22'	SD22BV	SD22BM
24'	SD24BV	SD24BM
26'	SD26BV	SD26BM
28'	SD28BV	SD28BM
30'	SD30BV	SD30BM
32'	SD32BV	SD32BM
34'	SD34BV	SD34BM
36'	SD36BV	SD36BM
38'	SD38BV	SD38BM
40'	SD40BV	SD40BM

SIDE DUMP TARPS COME STANDARD AT 154" WIDE

Length	Black Vinyl Parts #	Black Mesh Part #
20'	154-20-SD-BV	154-20-SD-BM
22'	154-22-SD-BV	154-22-SD-BM
24'	154-24-SD-BV	154-24-SD-BM
26'	154-26-SD-BV	154-26-SD-BM
28'	154-28-SD-BV	154-28-SD-BM
30'	154-30-SD-BV	154-30-SD-BM
32'	154-32-SD-BV	154-32-SD-BM
34'	154-34-SD-BV	154-34-SD-BM
36'	154-36-SD-BV	154-36-SD-BM
38'	154-38-SD-BV	154-38-SD-BM
40'	154-40-SD-BV	154-40-SD-BM

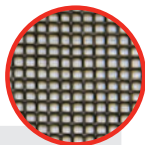
**Item not shown. *Oversized items, over length shipping rates apply.

TRADITIONAL HEAVY DUTY TARPS

Mesh Tarps

BLACK MESH & MULTI-COLOR MESH

The industry standard cargo control mesh. Medium weight, PVC-coated polyester recommended for rock, sand, gravel, and brush.



MATERIAL CODE	COLORS AVAILABLE
-BM	Black
-MC	Multi-Color

MONSTER MESH

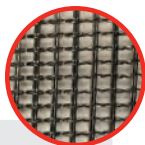
Heavyweight tightly woven mesh with 50% more threads than our HD. PVC-coated polyester. Perfect for refuse and storm clean-up applications.



MATERIAL CODE	COLORS AVAILABLE
-MM	Multi-Color

WOVEN MESH

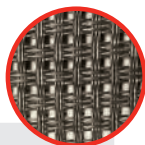
Medium weight, open PVC-coated polyester mesh that provides high-air flow to reduce wind whip. Preferred for coarse commodities at highway speeds.



MATERIAL CODE	COLORS AVAILABLE
-WM	Black

ARMOR MESH

Severe duty block woven 5x5 PVC-coated polyester mesh. Provides outstanding performance in recycling, refuse, demo, and storm clean-up applications.

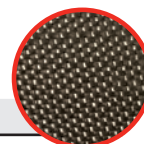


MATERIAL CODE	COLORS AVAILABLE
-AM	Black

Vinyl & Canvas Tarps

ASPHALT LUMITE

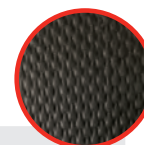
Lightweight and water-resistant polypropylene fabric. Rated up to 350°F, excellent for asphalt hauling applications.



MATERIAL CODE	COLORS AVAILABLE
-LU	Black

18 OZ BLACK VINYL

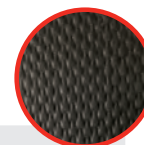
The industry standard tarp fabric preferred for asphalt hauling and agricultural applications. PVC-coated polyester.



MATERIAL CODE	COLORS AVAILABLE
-BV	Black

22 OZ BLACK VINYL

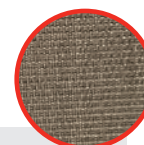
Severe duty, heavier weight and more durable version of our 18 oz vinyl for extended tarp life. PVC-coated polyester.



MATERIAL CODE	COLORS AVAILABLE
-22BV	Black

RFL COATED CANVAS

Severe duty asphalt tarp. Tightly woven, coated polyester canvas. Rated to 400°F and stays flexible in cold weather.



MATERIAL CODE
-RFL

Tarp Part Numbering System



72"	10'	26'	BM – Black Mesh / MC – Multi-Color Mesh	Blank – No Flaps	S – Spline in Tarp Front
78"	12'	28'	WM – Woven Black Mesh	2F – 2 Flaps	P – Pull Style
84"	14'	30'	MM – Monster Mesh	3F – 3 Flaps	N – No Pocket
90"	16'	32'	AM – Armor Mesh	—	T – Throw Tarp
96"	18'	34'	RFL – RFL Coated Canvas	—	C – Custom
—	20'	36'	LU – Asphalt Lumite	—	COMBO – Spline & Grommets
—	22'	38'	BV – 18 oz Black Vinyl	—	—
—	24'	—	22BV – 22 oz Black Vinyl	—	—

MEASURING LENGTH & WIDTH

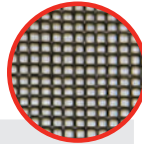
For Front-to-Back Flip Tarps, the general rule is to add 2 feet to the length being covered and subtract 4 inches from the distance between the mounting plates.

STANDARD WELDED TARPS

Mesh & Vinyl Tarps

STANDARD BLACK MESH

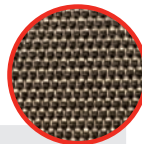
The industry standard cargo control mesh. Medium weight, PVC-coated polyester recommended for rock, sand, gravel, and brush.



MATERIAL CODE	COLORS AVAILABLE
-BM	Black

PROTEC MESH

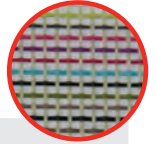
Lightweight polypropylene mesh. Perfect for medium-duty construction and landscaping



MATERIAL CODE	COLORS AVAILABLE
-PTM	Black

MULTI-COLOR MESH

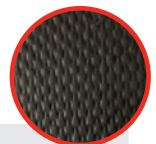
The same material as our Black Mesh but in a variety of colors. PVC-coated polyester



MATERIAL CODE	COLORS AVAILABLE
-MC	Multi-color

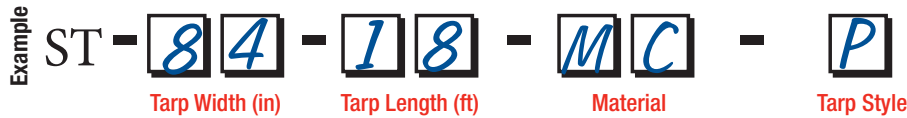
18 OZ BLACK VINYL

The industry standard tarp fabric preferred for asphalt hauling and agricultural applications. PVC-coated polyester.



MATERIAL CODE	COLORS AVAILABLE
-BV	Black

Tarp Part Numbering System



Tarps with Grommets Down the Side



72"	10'	26'	BM – Standard Black Mesh	S – Spline in Tarp Front
78"	12'	28'	PTM – ProTec Mesh	P – Pull Style
84"	14'	30'	MC – Multi Color Mesh	C – Custom
90"	16'	32'	BV – Black Vinyl	COMBO – Spline & Grommets
96"	18'	34'	—	STP – Grommets Down Side
—	20'	36'	—	—
—	22'	38'	—	—
—	24'	—	—	—

MEASURING LENGTH & WIDTH

For Front-to-Back Flip Tarps, the general rule is to add 2 feet to the length being covered and subtract 4 inches from the distance between th

MASTER CROSS REFERENCE

US TARP PART #	DESCRIPTION	ROLL RITE® PART #	DONOVAN® / SHURCO® PART #	MOUNTAIN PART #	AERO® PART #	REF. #
TARP MOTOR						
13655	Bulletproof Slim 50:1 Tarp Motor; 12V	10310, 10360	61G, 61X	K0170S	0755-623457-SQ	N/A
13732	Bulletproof 60:1 Tarp Motor; 12V	10310, 10360	1802061, 1802066, 61G	K0170S	0755-623474	N/A
13957	Bulletproof 90:1 Tarp Motor; 12V	10120	1704878, 61G	K0170TS	0755-623474	N/A
15938	Bulletproof 90:1 Tarp Motor; 12V	10120	1704878, 4422	K0170TS, K0170SW	—	N/A
11248	Powerhouse Heavy Duty 70:1 Tarp Motor; 12V	10122	4422	K0170TS, K0170SW	—	N/A
ELECTRICAL REPLACEMENT PARTS						
11156	40 Amp Circuit Breaker	—	1856	K018440	—	N/A
13720	50 Amp Circuit Breaker	—	—	K0184	0755-623504	N/A
12250	EZ Switch Kit	—	1495	K0176Q	0755-962131	N/A
13994	EZ Switch Relay	10698	1464	K0176M	0755-623560	N/A
14243	Aluminum Switch Bracket	10390	1532	—	—	N/A
13979	Rocker Switch	19300	1897	K0176SO	0755-962102	N/A
11279	8 Gauge Dual Conductor Wire	100743	2141	—	—	N/A
11147	6 Gauge Dual Conductor Wire	11330	—	K0146	0755-626535	N/A
14885	4 Gauge Dual Conductor Wire	11330	672	—	—	N/A
12415	18 ga. 3-Conductor Wire	11410	—	—	—	N/A
11264	Dual Conductor Plug Set - Vertical	12760	3848	1266	—	N/A
14566	Dual Conductor Plug Set - Horizontal	—	—	K0173	0755-626453	N/A
11479	Rotary Switch Kit	—	85N	ETC5014	0311-962531	N/A
11129	Rotary Switch	—	600	K0176	0755-623456	N/A
14995	Trailer Contact Plate	101736	4241	K0141	0755-960150	N/A
14782	Square Bow Ends for Cable Bows	—	1744	—	—	N/A
13810	Standard 98" width & 12" Rise Tarp Bow with Standard Sliders	—	—	Z5001K	—	4
14707	Aluminum Front Mounting Assembly, 95" length standard 2164	—	—	Z1017	1111-860538	1
14291	Aluminum Wind Deflector, 95" length standard	—	—	Z1041	1111-962211	2
14288	Steel Tarp Tension Bar, 95" length standard	—	2109	Z1010	1111-860913	3
14786S	Rear Cable Mount Asm, Steel	—	1988	Z7000K	1111-960311 (960312)	8
14786A	Rear Cable Mount Asm, Aluminum	—	1989	Z7001K	1111-960311 (960312)	8
14290	Cable Clips	—	4100cc	Z1015	0850-603755 (0510 & 0564)	10
11140	Chain Crank Assembly for Cable System	—	2105	Z1014C	1111-962205	12
11285	# 40 Chain with Master Link - 12' length	—	1115	Z2007	0720-603557	N/A
14675	42-Tooth Sprocket	—	4109-7	Z1003	0750-619591 (9595)	13
14674	7-inch Front Pulley	—	2114	Z1001	1111-964011	14
14287	1" Pulley Shaft, 103" length	—	2127	Z1004	1111-860554	15
14533	1" Dia. Pillow Block Bearing	—	4112	K0520	—	16
14289	1/4" Galvanized Steel Cable, per ft.	—	4100	—	1111-603131 (32, 33, & 34)	N/A
14907	1/4" Stainless Steel Cable, per ft.	—	4100ss	Z1014	—	N/A
14242	Anti Lift Kit	—	1099	—	1111-960340 (960342)	6 & 7
TARP BOW/TENSION HOOP ASSEMBLIES						
12372	Tension Hoop Assembly	—	3976	PIOHOO1	—	N/A
7670	Aluminum Tarp Bow Set w/105-1/2" Cross Tube	76720	—	—	—	N/A
7671	Tension Bow Assembly	76710	—	—	—	N/A

MASTER CROSS REFERENCE

US TARP PART #	DESCRIPTION	ROLL RITE® PART #	DONOVAN® / SHURCO® PART #	MOUNTAIN PART #	AERO® PART #	REF. #
----------------	-------------	-------------------	---------------------------	-----------------	--------------	--------

TARP SPOOL REPLACEMENT PARTS

11211	Aluminum Tarp Spool Housing, 92" width	36150	—	—	0311-961962	3
11210	Aluminum Tarp Spool Housing, 98" width	36160	—	—	0311-961965	3
11286	Aluminum Tarp Spool Housing, 104" width	36170	—	—	—	3
14824	Open Top Aluminum Housing	—	3032	K0101SS	0311-961989	2
11200	2" Heavy Duty Aluminum Tarp Axle, 101-5/8"	—	2365	K0174	0311-961302	6
14939	91" Pre-Threaded Tarp Axle with Stub Shaft	31020	—	—	0311-961300	N/A
14940	97" Pre-Threaded Tarp Axle with Stub Shaft	31030	—	—	0311-961300	N/A
14941	103" Pre-Threaded Tarp Axle with Stub Shaft	31040	—	—	0311-961302	N/A
11139	3/4" Axle Bearing	31050	1752	K0187	—	10
11201	Spool Shaft, 5"	10160	2838	K0179A	—	9
11143	Rubber Bumper for Tarp Spool Bracket	36300	—	—	—	12
11209	Aluminum Housing Support Braces	36850	—	K0120	—	21
11380	Wind Deflector 97"	36360	—	—	—	5
11208	Wind Deflector, 103"	36350	—	—	—	5
11295	Angled Tarp Spool Bracket with bumper	36340	3270	—	—	13
11668	Ground Level Crankbox	—	441	K0340	—	17
12357	Upper 18-Tooth Sprocket & Shaft	—	2403	K0105A	—	16
11285	#40 Chain with Master Link, 12ft	—	793	K0220	—	N/A
12230	Steel Chain Guard	—	114	K0201	—	18

PIVOT REPLACEMENT PARTS

11183	3-Spring Pivot Pin	45330	—	—	—	1
11132	4-Spring Pivot Pin	45340	—	K0256	—	1
11272	5-Spring Pivot Pin	45350	—	K0257	—	1
11121	Spiral Torsion Spring	See pg. 41	2416	K0199	—	3
11141	Stainless Steel Bushing for Pivot Pin	47010	2833	K0283	—	4
11142	External Retaining Ring for Pivot Pin	47000	2834	K0258	—	5

CAB LEVEL SPRING RETURN REPLACEMENT PARTS

13402A	Adjustable Spring Return Roller Assembly	—	99	PT217	0321-968006 (08 & 09)	2
14988	1/2" Truck Rope Black/Orange, Per Foot	—	162	PT109	0321-961115	N/A
14581	Aluminum Rear Pullbar Assembly	—	105	PT205	0321-967009	14
12282	J-Hook	—	62	PT218	0730-612360	N/A
11661	Fold-away Crank Handle for Cab Level	—	4128	K0330L	0311-961089	6
13371	Steel 3-Hole Mounting Bracket	—	4155	LDSCEP	0311-863395	5

BULLETPROOF ARMS REPLACEMENT PARTS

13633	Aluminum Bulletproof Arm, 168" Length *	—	1473	K0409	—	9
13722	Aluminum Bulletproof Arm, 192" Length *	—	—	K0411	—	9
13723	Aluminum Bulletproof Arm, 240" Length *	—	3335	K0414E	—	9
14521	Bulletproof Cross Tube, Steel for 96" Wide	—	—	K0420	—	10
14522	Bulletproof Cross Tube, Steel for 102" Wide	—	—	K0422	—	10
13602	Bulletproof Aluminum Cross Tube	—	1076	—	—	13
13373	Bulletproof Upper Arm Casting	—	1888	—	—	12
13632	3" Rubber Tarp Centering Flange	—	2285	K0420D	—	11



US Tarp
Covering America®

phone:
800-249-0297
fax:
269-639-3015
email:
Sales@USTarp.com

US TARP PTS 01/23

WE'VE GOT YOU COVERED.

US Tarp® • PO Box 935 • South Haven, MI 49090

©2022 US Tarp. All rights are reserved. No part of this publication may be reproduced without prior permission. Aero®, Donovan®/Shurco®, Roll Rite®, and Mountain Tarp® are registered trademarks of Aero, Donovan/Shurco, Roll Rite, and Mountain Tarp respectively.

All Manufacturers' names, numbers, symbols, and descriptions are used for reference purposes only, and it does not imply that any part listed is the product of these manufacturers.