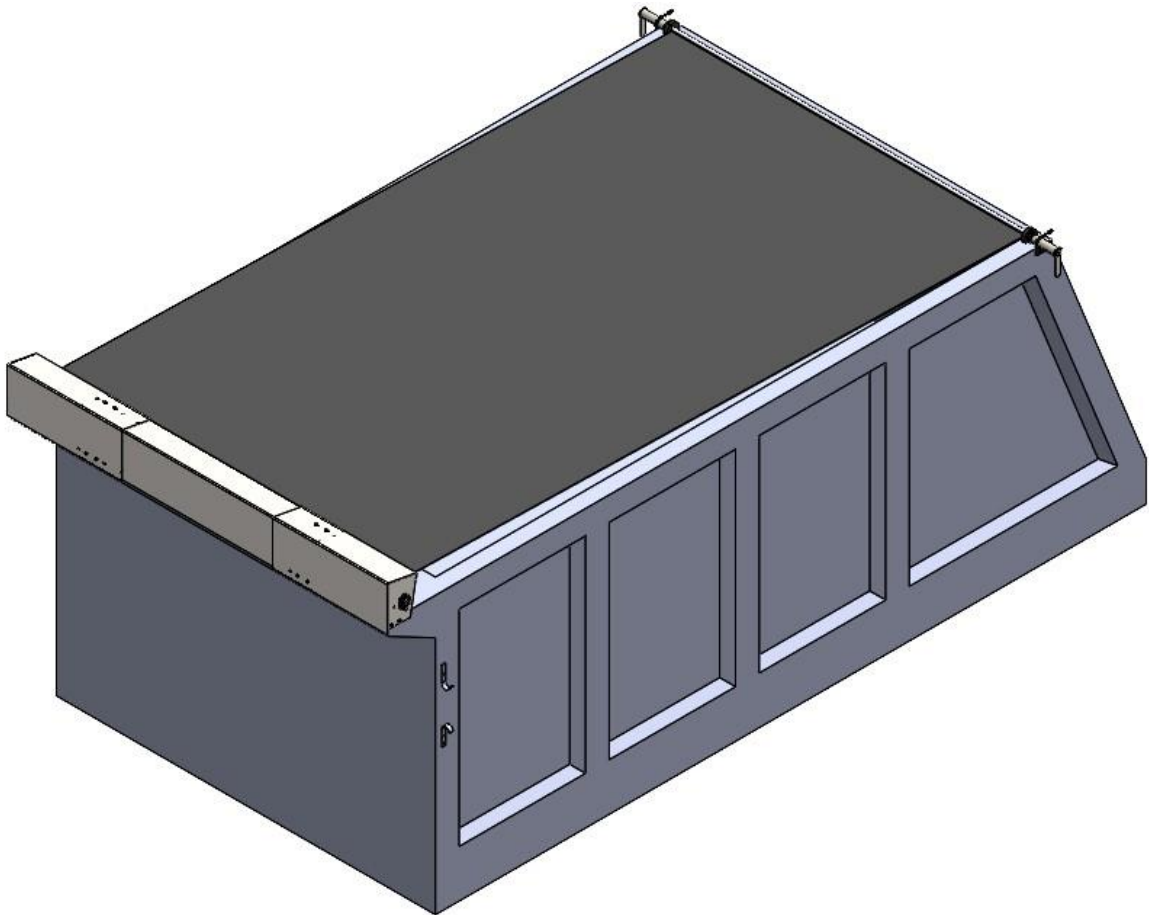


# 165 - Adjustable Pull Style with Adjustable Steel Housing

INSTALLATION INSTRUCTION MANUAL



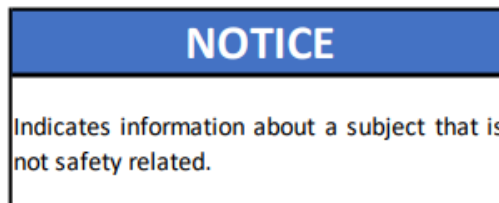
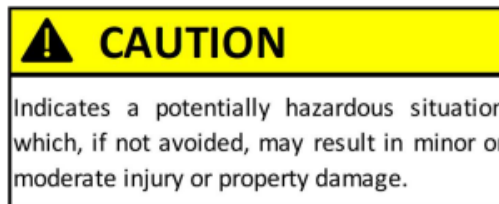
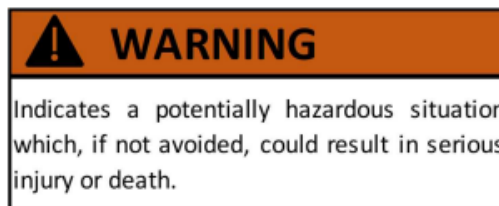
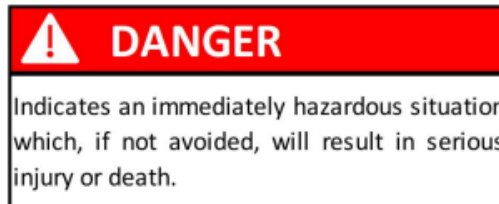
# Table of Contents

SAFETY.....	3
STEP 1: INSTALLING THE TARP SPOOL ASSEMBLY .....	4
STEP 2: INSTALLING THE PULL BAR .....	5
STEP 3: WINDING THE AXLE .....	6
STEP 4: MOUNTING THE TAILGATE LATCHES .....	7
STEP 5: INSTALLING THE PULL ROPE .....	7
STEP 6: ATTACHING THE J-HOOKS .....	8

# SAFETY

Read this section carefully before proceeding. The following symbols may appear prior to certain safety related assembly and installation steps described in this manual.

FAILURE TO OPERATE AND INSTALL THIS UNIT AS INSTRUCTED MAY RESULT IN SERIOUS INJURY OR DEATH.



## Step 1: Installing the Tarp Spool Assembly

### Mounting the Tarp Spool Assembly



Loosen the 8, 1/4" hex bolts located on the housing of the pull style assembly.

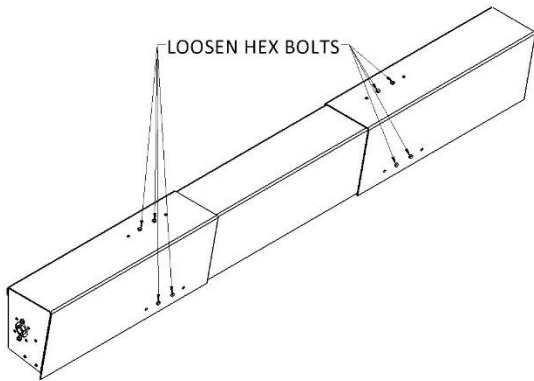


Figure 1.1

Place the adjustable steel housing on the front of the body to be covered.

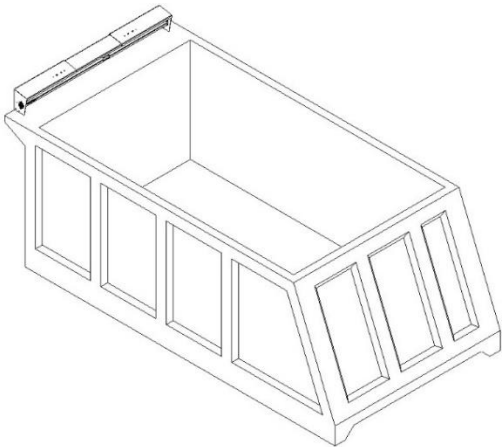


Figure 1.2

Pull on both sides of the housing to expand the system until the mounting brackets set over the side rails of the body.

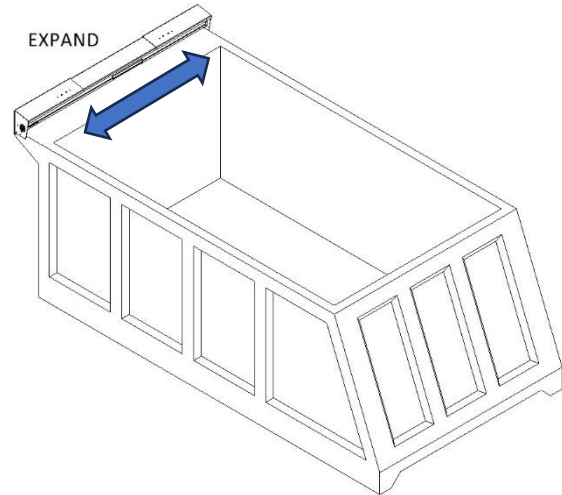


Figure 1.3

Drill 11/32" mounting holes in the body at the mounting locations on the housing. Using 5/16" hex bolts, hex nuts, and washers, secure the housing to the body.

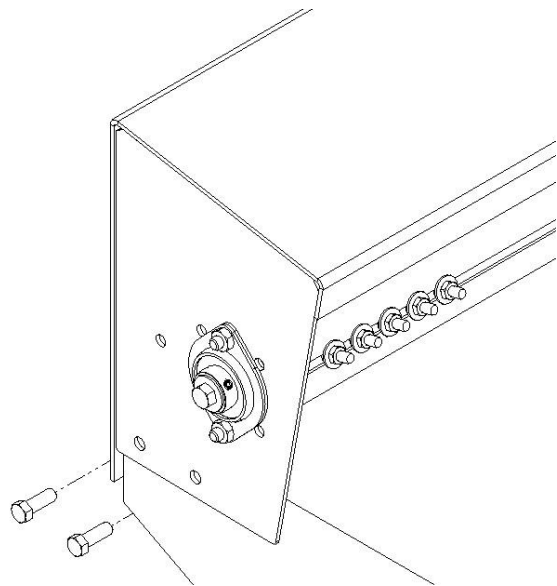


Figure 1.4

Re-tighten the bolts on the housing.

## Step 2: Installing the Pull Bar

Measure the pull bar and verify that it is 12" longer than the width of the tarp. If it is too long cut it to size. On one end of the rear pull bar (1), slide on the flexible tarp collar (2), 6" plastic handle (3). At the same end, line up the mounting hole on the tarp guide (4) with the slot on the pull bar and secure it with an M10x1.5x25mm hex bolt (5). (Figure 2.1)

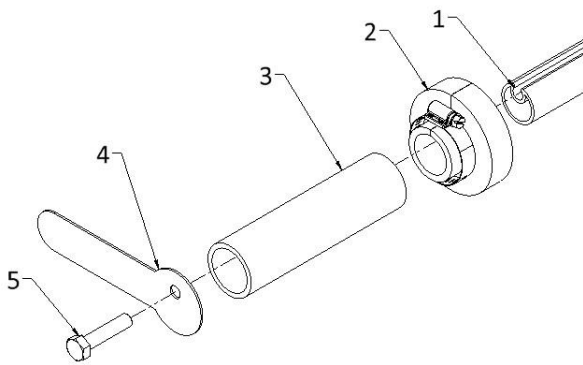


Figure 2.1

Tighten the hose clamp on the flexible tarp collar.

If your tarp has a splined end, feed the spline through the slot on the pull bar from the open end (Figure 2.2). Otherwise, if your tarp has a pocket on it, feed the pull bar through tarp pocket (Figure 2.3).

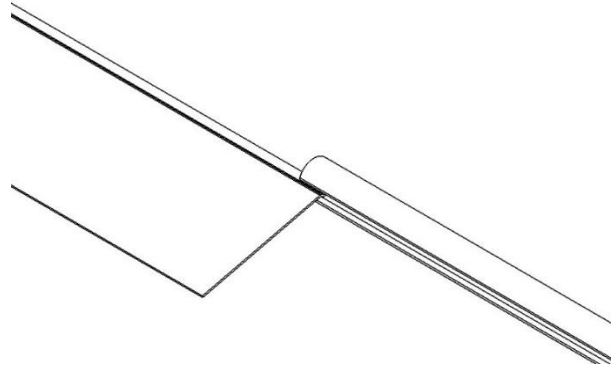


Figure 2.2

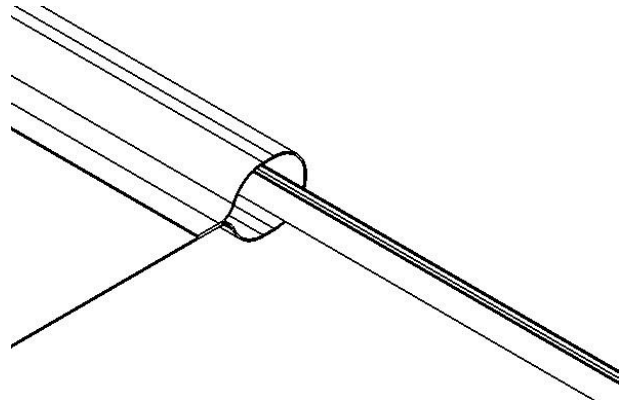


Figure 2.3

On the open end place the flexible tarp collar, 6" plastic handle, and tarp guide and secure them with the M10x1.5x25mm bolt.

### Step 3: Winding the Axle

On the driver side of the tarp axle there is a sticker with directions on how to wind the tarp axle.

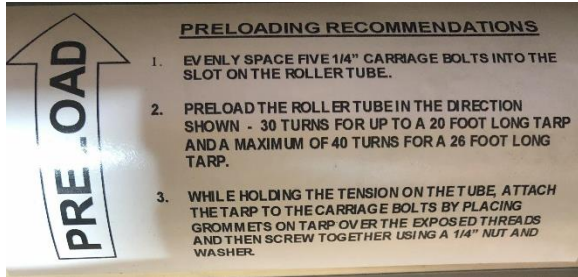


Figure 3.1

Begin by evenly spacing the 1/4" carriage bolts along the axle slot.

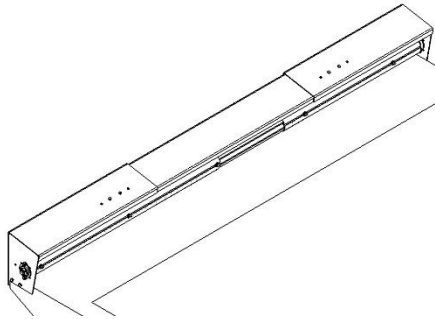


Figure 3.2

Turn the axle, in the indicated direction, the length of the tarp plus 10 turns up to 40 turns. I.e. 30 turns for a 20' tarp, or 40 turns for a 32' tarp.

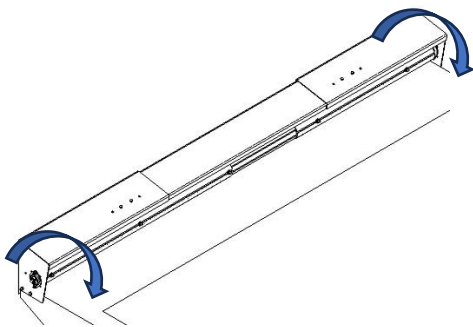


Figure 3.3

Using a clamp, lock the axle to prevent it from unloading.

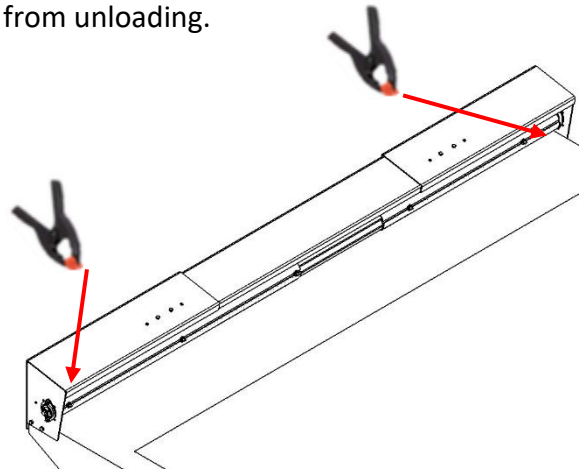


Figure 3.4

Connect the tarp to the axle via the tarp grommets and the 1/4" carriage bolts, washers and hex nuts.

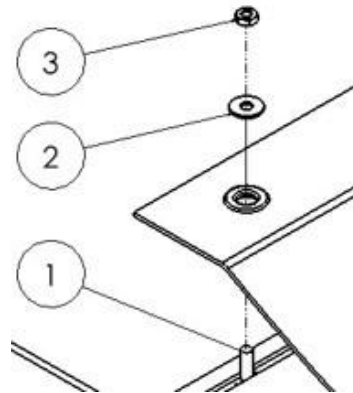


Figure 3.5

While holding tension on the tarp, slowly release the clamps on the axle and wind in the tarp.

**⚠ CAUTION**

Releasing the tarp to wind freely or too quickly may cause damage/injury to the system/people nearby

## Step 4: Mounting the Tailgate Latches

Position the steel tailgate latches so that the hook opening faces the rear of the trailer. Move the tailgate latch as close to the rear as possible on the trailer to maximize tarp coverage. Also make sure to make the bottom of the hook opening as flush as possible with the top edge of the trailer. Mark the position of the mounting holes on the trailer. Using a 1/2" drill bit, drill out the mounting holes. Secure the tailgate latches to the trailer using the 1/2"-13 x 1-1/2" grade 5 zinc carriage bolt, 1/2" zinc plated SAE flat washer, and 1/2"-13 Nylock nut.

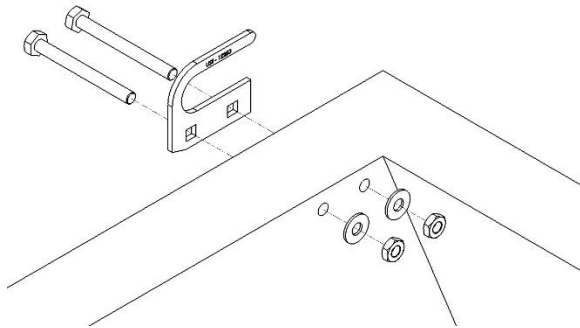


Figure 4.1

## Step 5: Installing the Pull Rope

Feed the end of the supplied rope that is not attached to the bungee and ring through the center grommet on the tarp. Tie the rope so that it is secure.

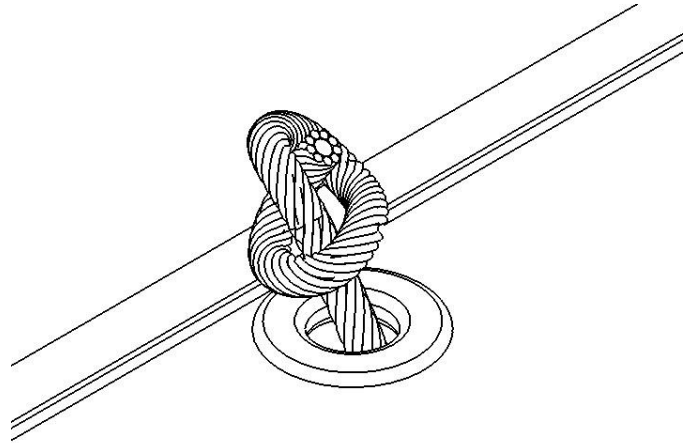


Figure 5.1

### NOTICE

Do not use the bungee to connect the rope to the tarp.

## Step 6: Attaching the J-Hooks

On the front driver side of the trailer (Figure 6.1) and on the center of the tailgate of the trailer (Figure 6.2), mount the J-hooks vertically using two #12 x 1" self-drilling screws. The J-hooks are used for securing the pull rope during transport. Wrap the pull rope around the J-hooks and secure the rope using the bungee and rings.

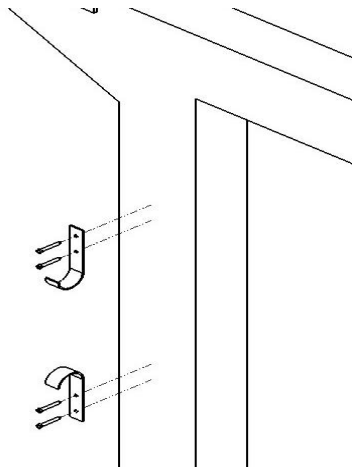


Figure 6.1

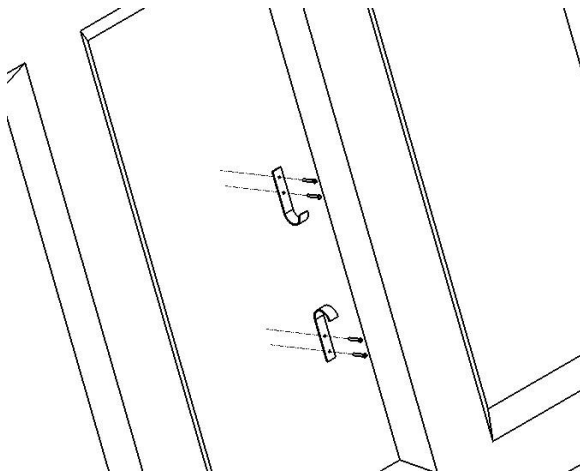


Figure 6.2